

TECHNICAL DATA

Body Type	Line mount
Capacity	32 - 130 L/min.
Mounting Hole Diameter	10,7 mm
Mounting Hole Depth	Through
Mounting Hole Quantity	2

OPTION SELECTION EXAMPLE: YGEBXANUM

CONTROL	(X)	FLOW SPLIT	(A)	SEAL MATERIAL	(N)	ORIFICE PART DESIGNATION(N)	PORT AND MATERIAL DESIGNATION (M)
X Not Adjustable		A 50/50		N Buna-N V Viton		U Slip @ 3000 psi = 16.21 gpm (with FSEH primary cartridge, Alta capacidad , centro cerrado, divisor / combinador de caudal válvula) A Slip @ 3000 psi = 0 gpm (with FSEH primary cartridge, Alta capacidad , centro cerrado, divisor / combinador de caudal válvula) Q Slip @ 3000 psi = 6.31 gpm (with FSEH primary cartridge, Alta capacidad , centro cerrado, divisor / combinador de caudal válvula) W Slip @ 3000 psi = 25.25 gpm (with FSEH primary cartridge, Alta capacidad , centro cerrado, divisor / combinador de caudal válvula) Z No Orifice Plug Installed (with FSEH primary cartridge, Alta capacidad , centro cerrado, divisor / combinador de caudal válvula)	M Ports 2, 3, 4 — SAE 16; Gage Ports (Plugged) — SAE 4; Aluminum D Ports 2, 3, 4 — 3/4" NPTF; Gage Ports (Plugged) — SAE 4; Aluminum D/S Ports 2, 3, 4 — 3/4" NPTF; Gage Ports (Plugged) — SAE 4; Iron E Ports 2, 3, 4 — 1" NPTF; Gage Ports (Plugged) — SAE 4; Aluminum E/S Ports 2, 3, 4 — 1" NPTF; Gage Ports (Plugged) — SAE 4; Iron L Ports 2, 3, 4 — SAE 12; Gage Ports (Plugged) — SAE 4; Aluminum L/S Ports 2, 3, 4 — SAE 12; Gage Ports (Plugged) — SAE 4; Iron M/S Ports 2, 3, 4 — SAE 16; Gage Ports (Plugged) — SAE 4; Iron W Ports 2, 3, 4 — 3/4" BSPP; Gage Ports (Plugged) — SAE 4; Aluminum W/S Ports 2, 3, 4 — 3/4" BSPP; Gage Ports (Plugged) — SAE 4; Iron X Ports 2, 3, 4 — 1" BSPP; Gage Ports (Plugged) — SAE 4; Aluminum X/S Ports 2, 3, 4 — 1" BSPP; Gage Ports (Plugged) — SAE 4; Iron

INCLUDED COMPONENTS

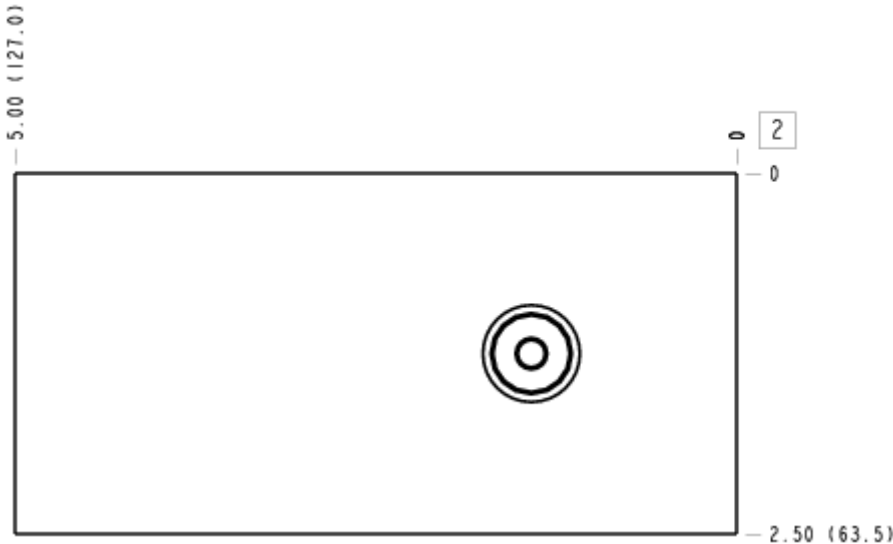
Part	Description	Quantity
280-038-125*	Orifice	2
A330-006-004*	SAE Plug	2

MANIFOLD FACES

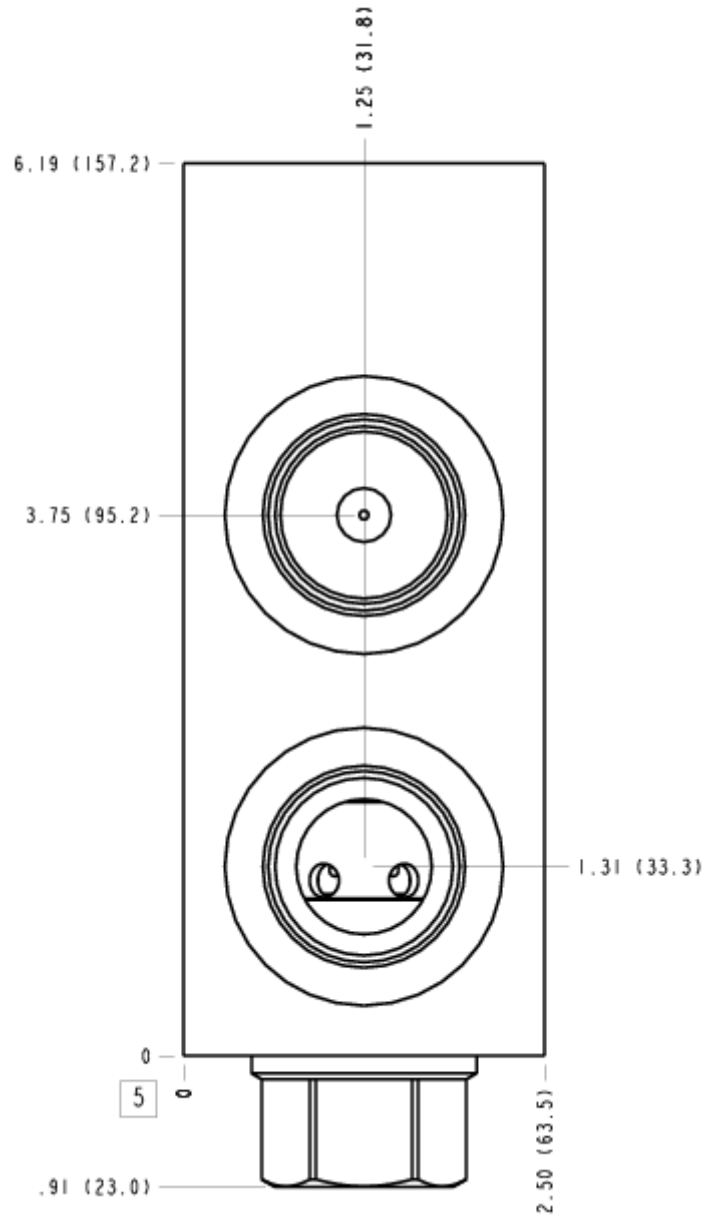
FACE GRID

1	2	3	4
5	6	7	8
9	10	11	12

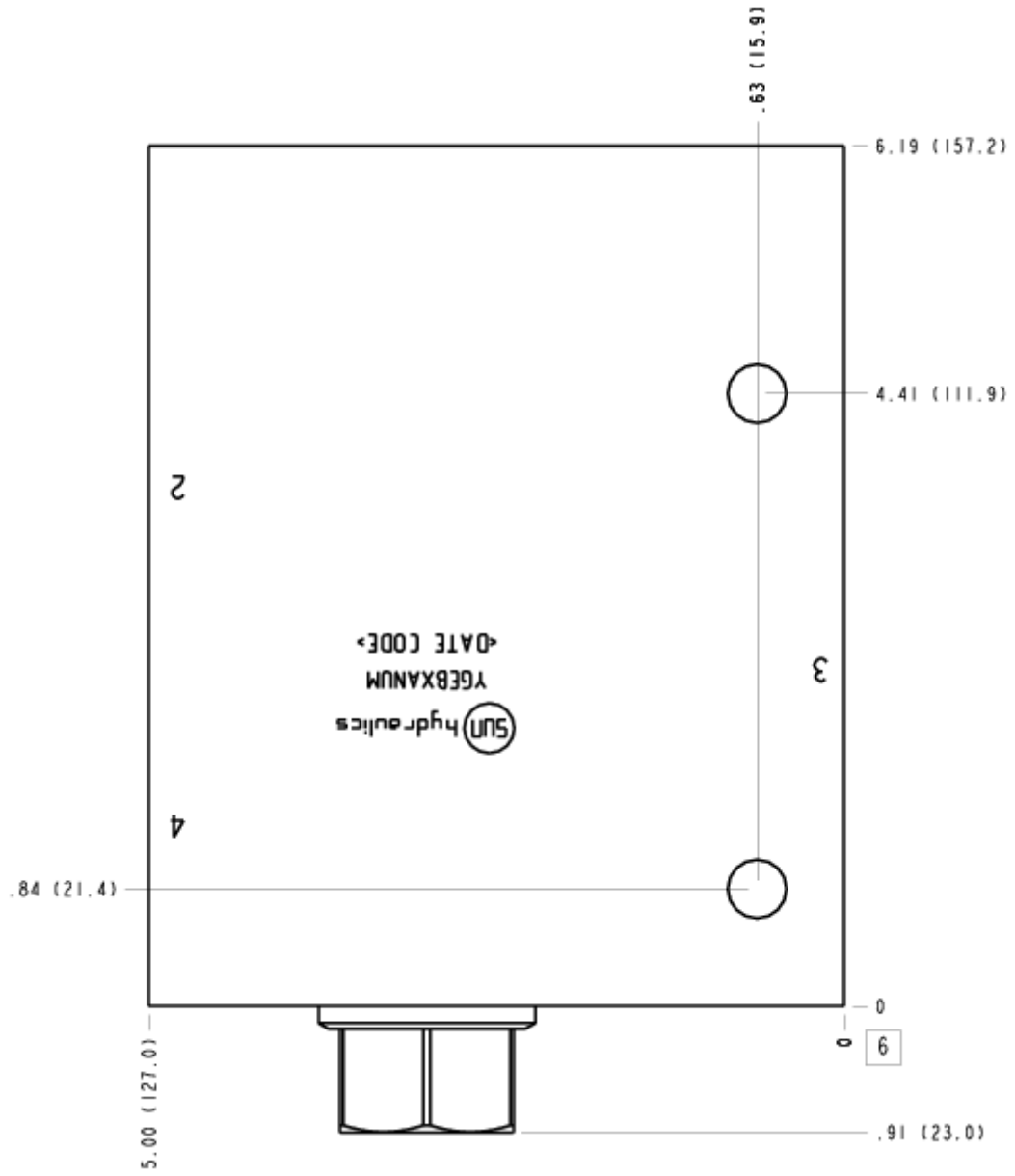
FACE 2



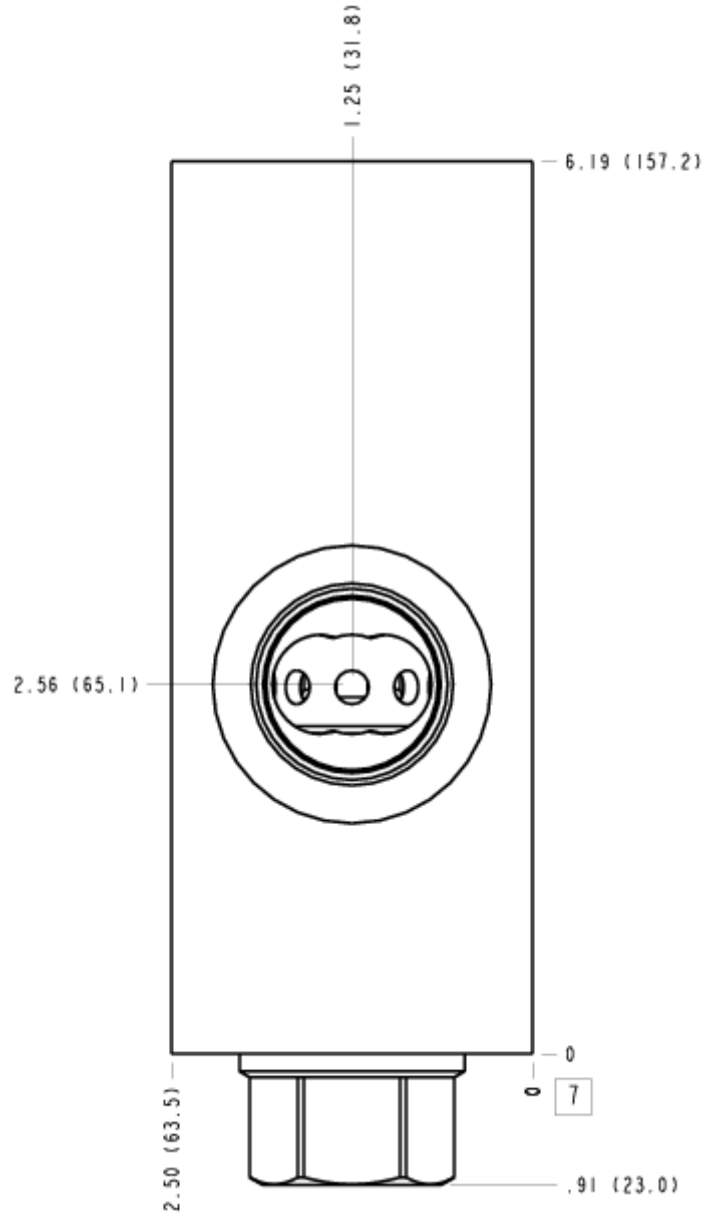
FACE 5



FACE 6



FACE 7



FACE 10

