

**TECHNICAL DATA** NOTE: DATA MAY VARY BY CONFIGURATION. SEE CONFIGURATION SECTION.

	32 - 130 L/min.
	10,7 mm
	Through
	2

**OPTION SELECTION EXAMPLE: YGEBXANUM**

(X)	(A)	(N)	ORIFICE PART DESIGNATION(N)	PORT AND MATERIAL DESIGNATION (M)
<b>X</b>	<b>A</b> 50/50	<b>N</b> V	<b>U</b> Slip @ 3000 psi = 16.21 gpm (with FSEH primary cartridge, , , -	<b>M</b> Ports 2, 3, 4 — SAE 16; Gage Ports (Plugged) — SAE 4; Aluminum
			<b>A</b> Slip @ 3000 psi = 0 gpm (with FSEH primary cartridge, , , -	<b>D</b> Ports 2, 3, 4 — 3/4" NPTF; Gage Ports (Plugged) — SAE 4; Aluminum
			<b>Q</b> Slip @ 3000 psi = 6.31 gpm (with FSEH primary cartridge, , , -	<b>D/S</b> Ports 2, 3, 4 — 3/4" NPTF; Gage Ports (Plugged) — SAE 4; Iron
			<b>W</b> Slip @ 3000 psi = 25.25 gpm (with FSEH primary cartridge, , , -	<b>E</b> Ports 2, 3, 4 — 1" NPTF; Gage Ports (Plugged) — SAE 4; Aluminum
			<b>Z</b> No Orifice Plug Installed (with FSEH primary cartridge, , , -	<b>E/S</b> Ports 2, 3, 4 — 1" NPTF; Gage Ports (Plugged) — SAE 4; Iron
				<b>L</b> Ports 2, 3, 4 — SAE 12; Gage Ports (Plugged) — SAE 4; Aluminum
				<b>L/S</b> Ports 2, 3, 4 — SAE 12; Gage Ports (Plugged) — SAE 4; Iron
				<b>M/S</b> Ports 2, 3, 4 — SAE 16; Gage Ports (Plugged) — SAE 4; Iron
				<b>W</b> Ports 2, 3, 4 — 3/4" BSPP; Gage Ports (Plugged) — SAE 4; Aluminum
				<b>W/S</b> Ports 2, 3, 4 — 3/4" BSPP; Gage Ports (Plugged) — SAE 4; Iron
				<b>X</b> Ports 2, 3, 4 — 1" BSPP; Gage Ports (Plugged) — SAE 4; Aluminum
				<b>X/S</b> Ports 2, 3, 4 — 1" BSPP; Gage Ports (Plugged) — SAE 4; Iron

**INCLUDED COMPONENTS**

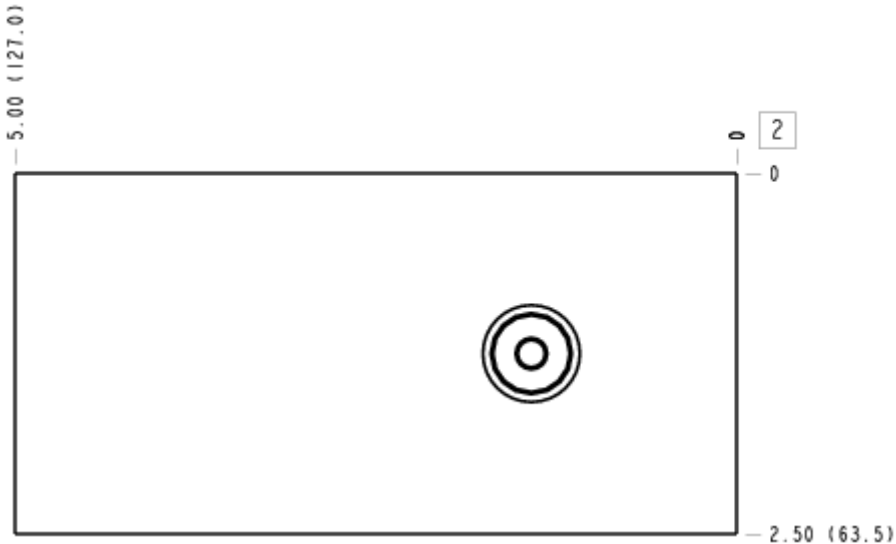
Part	Description	Quantity
280-038-125*	Orifice	2
A330-006-004*	SAE Plug	2

**MANIFOLD FACES**

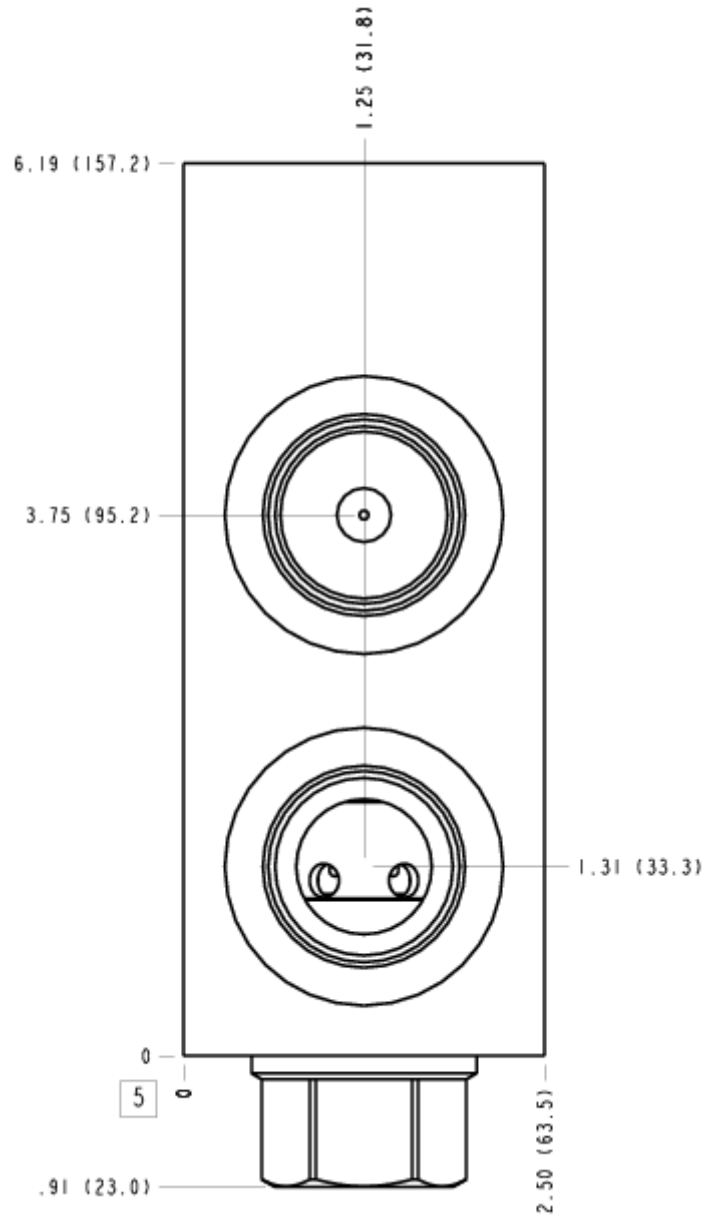
**FACE GRID**

1	2	3	4
5	6	7	8
9	10	11	12

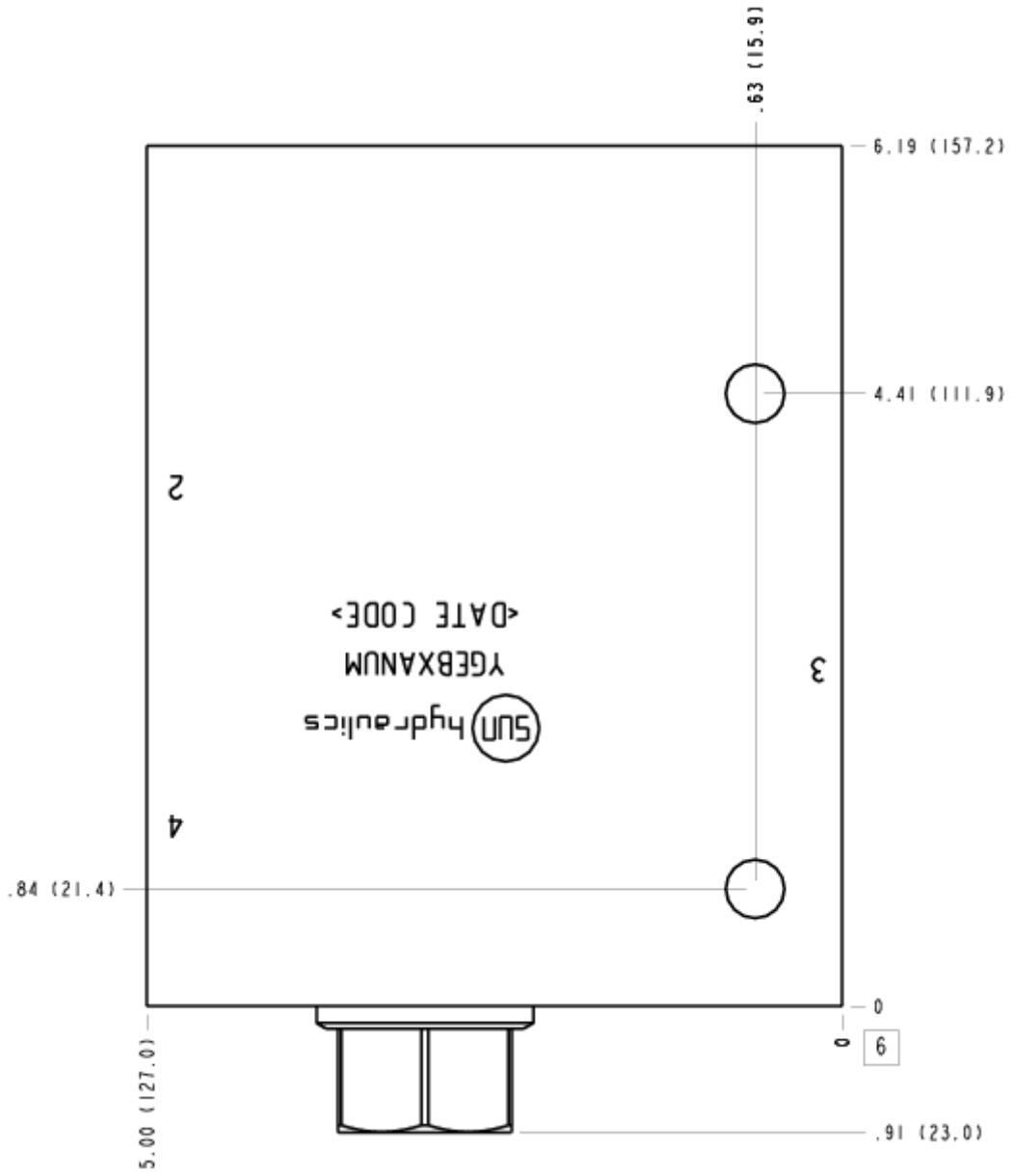
**FACE 2**



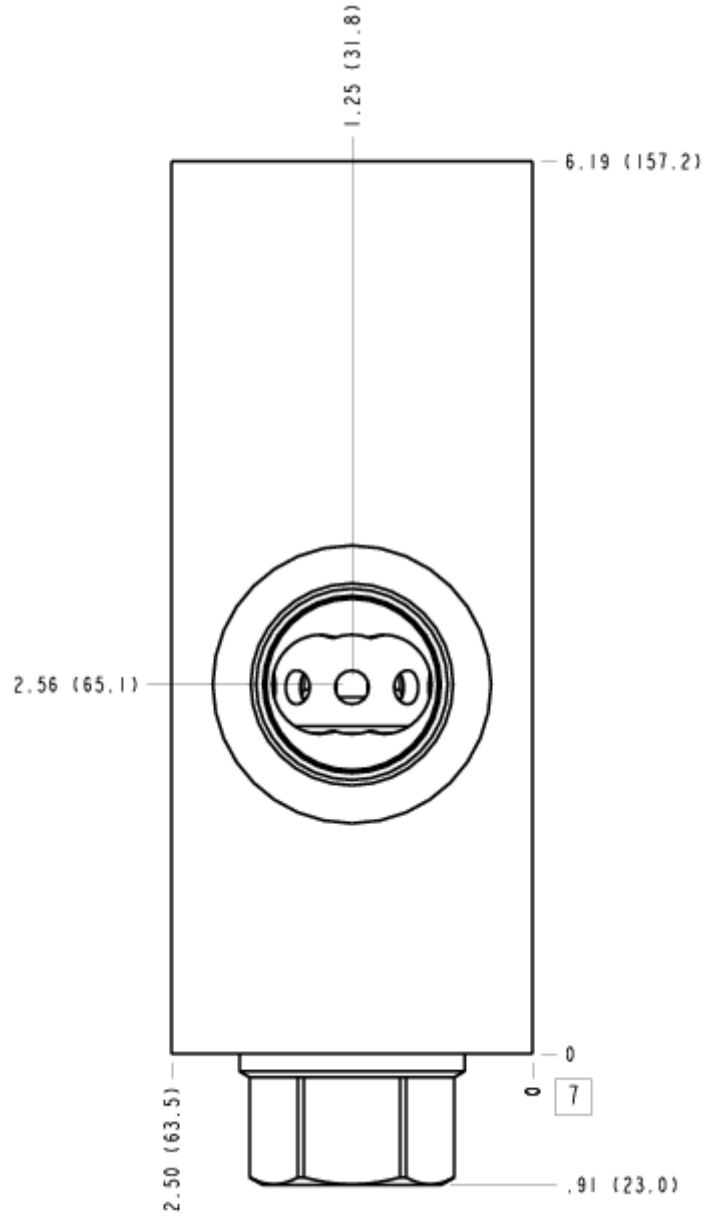
FACE 5



FACE 6



FACE 7



FACE 10

