

TECHNICAL DATA NOTE: DATA MAY VARY BY CONFIGURATION. SEE CONFIGURATION SECTION.

	60 - 270 L/min.
	10,7 mm
	Through
	2

OPTION SELECTION EXAMPLE: YGFBXANXN

(X)	(A)	(N)	ORIFICE PART DESIGNATION(X)	PORT AND MATERIAL DESIGNATION (N)
X	A 50/50	N V	<p>X Slip @ 3000 psi = 36.67 gpm (with FSFH primary cartridge, , , -</p> <p>A Slip @ 3000 psi = 0 gpm (with FSFH primary cartridge, , , -</p> <p>T Slip @ 3000 psi = 12.33 gpm (with FSFH primary cartridge, , , -</p> <p>Y Slip @ 3000 psi = 64.85 gpm (with FSFH primary cartridge, , , -</p> <p>Z No Orifice Plug Installed (with FSFH primary cartridge, , , -</p>	<p>N Ports 2, 3, 4 — SAE 20; Gage Ports (Plugged) — SAE 8; Aluminum</p> <p>5 Port 3 — 1 1/4 in. Code 62; Ports 2 & 4 — 1" Code 62; Gage Ports (Plugged) — SAE 8; Aluminum</p> <p>5/M Port 3 — 1 1/4 in. Code 62; Ports 2 & 4 — 1" Code 62; Gage Ports (Plugged) — SAE 8; Metric Aluminum</p> <p>5/S Port 3 — 1 1/4 in. Code 62; Ports 2 & 4 — 1" Code 62; Gage Ports (Plugged) — SAE 8; Iron</p> <p>5/T Port 3 — 1 1/4 in. Code 62; Ports 2 & 4 — 1" Code 62; Gage Ports (Plugged) — SAE 8; Metric Iron</p> <p>E Ports 2, 3, 4 — 1" NPTF; Gage Ports (Plugged) — SAE 8; Aluminum</p> <p>E/S Ports 2, 3, 4 — 1" NPTF; Gage Ports (Plugged) — SAE 8; Iron</p> <p>F Ports 2, 3, 4 — 1 1/4" NPTF; Gage Ports (Plugged) — SAE 8; Aluminum</p> <p>F/S Ports 2, 3, 4 — 1 1/4" NPTF; Gage Ports (Plugged) — SAE 8; Iron</p> <p>M Ports 2, 3, 4 — SAE 16; Gage Ports (Plugged) — SAE 8; Aluminum</p> <p>M/S Ports 2, 3, 4 — SAE 16; Gage Ports (Plugged) — SAE 8; Iron</p> <p>N/S Ports 2, 3, 4 — SAE 20; Gage Ports (Plugged) — SAE 8; Iron</p> <p>Q Port 3 — 1 1/4" Code 61 ; Ports 2 & 4 — 1" Code 61; Gage Ports (Plugged) — SAE 8; Aluminum</p>

PORT AND MATERIAL DESIGNATION (N)

Q/M	Port 3 — 1 1/4" Code 61 ; Ports 2 & 4 — 1" Code 61; Gage Ports (Plugged) — SAE 8; Metric Aluminum
Q/S	Port 3 — 1 1/4" Code 61 ; Ports 2 & 4 — 1" Code 61; Gage Ports (Plugged) — SAE 8; Iron
Q/T	Port 3 — 1 1/4" Code 61 ; Ports 2 & 4 — 1" Code 61; Gage Ports (Plugged) — SAE 8; Metric Iron
X	Ports 2, 3, 4 — 1" BSPP; Gage Ports (Plugged) — SAE 8; Aluminum
X/S	Ports 2, 3, 4 — 1" BSPP; Gage Ports (Plugged) — SAE 8; Iron
Y	Ports 2, 3, 4 — 1 1/4" BSPP; Gage Ports (Plugged) — SAE 8; Aluminum
Y/S	Ports 2, 3, 4 — 1 1/4" BSPP; Gage Ports (Plugged) — SAE 8; Iron

INCLUDED COMPONENTS

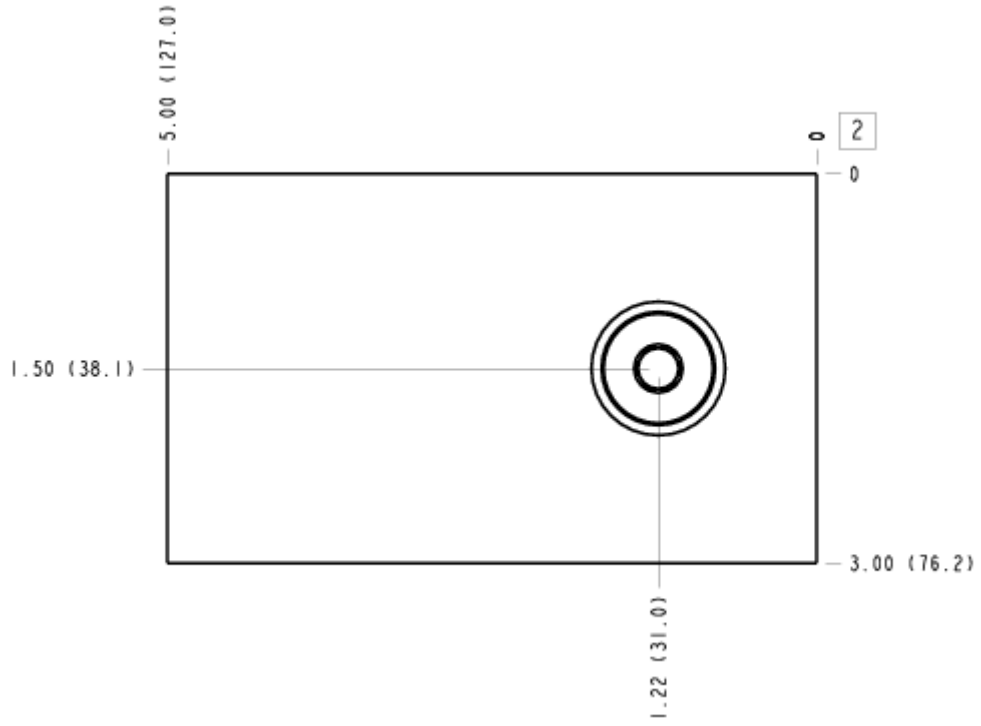
Part	Description	Quantity
280-040-094*	Orifice	2
A330-006-008*	SAE Plug	2
FSFHAN	Cartridge - Primary	1

MANIFOLD FACES

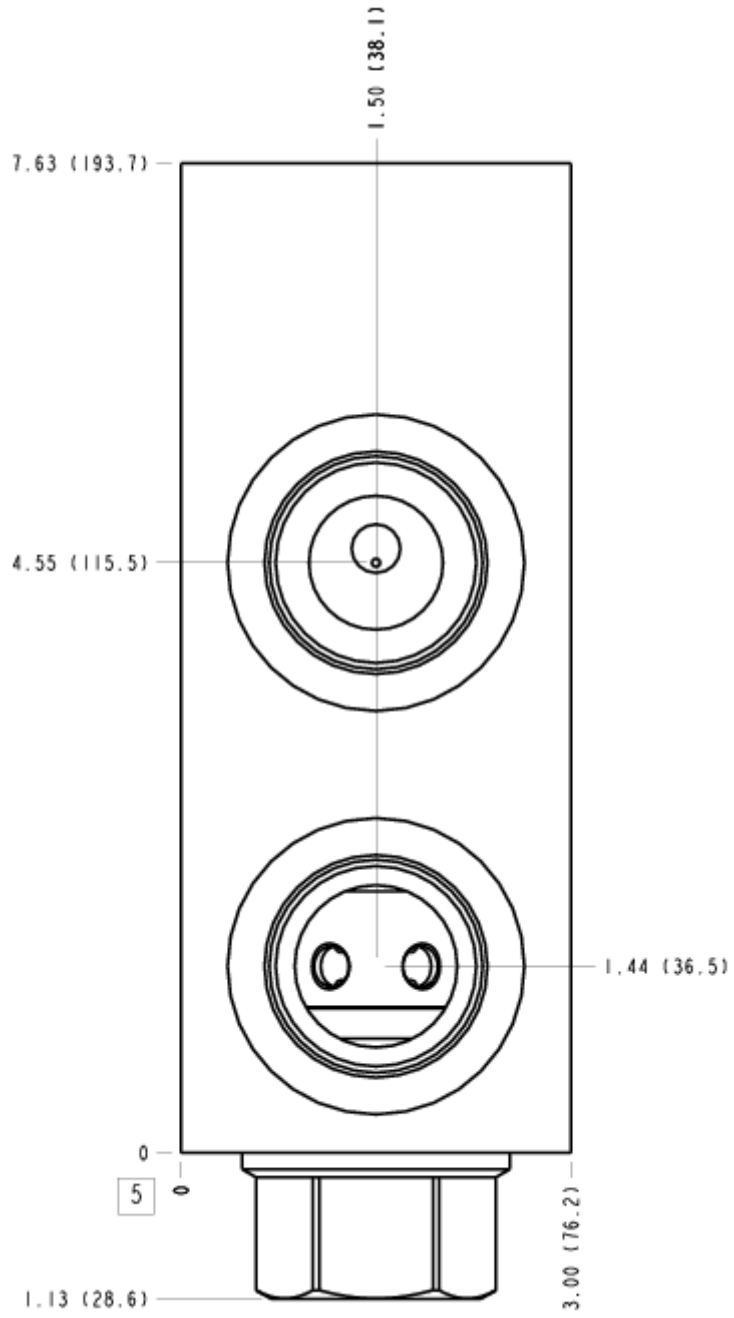
FACE GRID

1	2	3	4
5	6	7	8
9	10	11	12

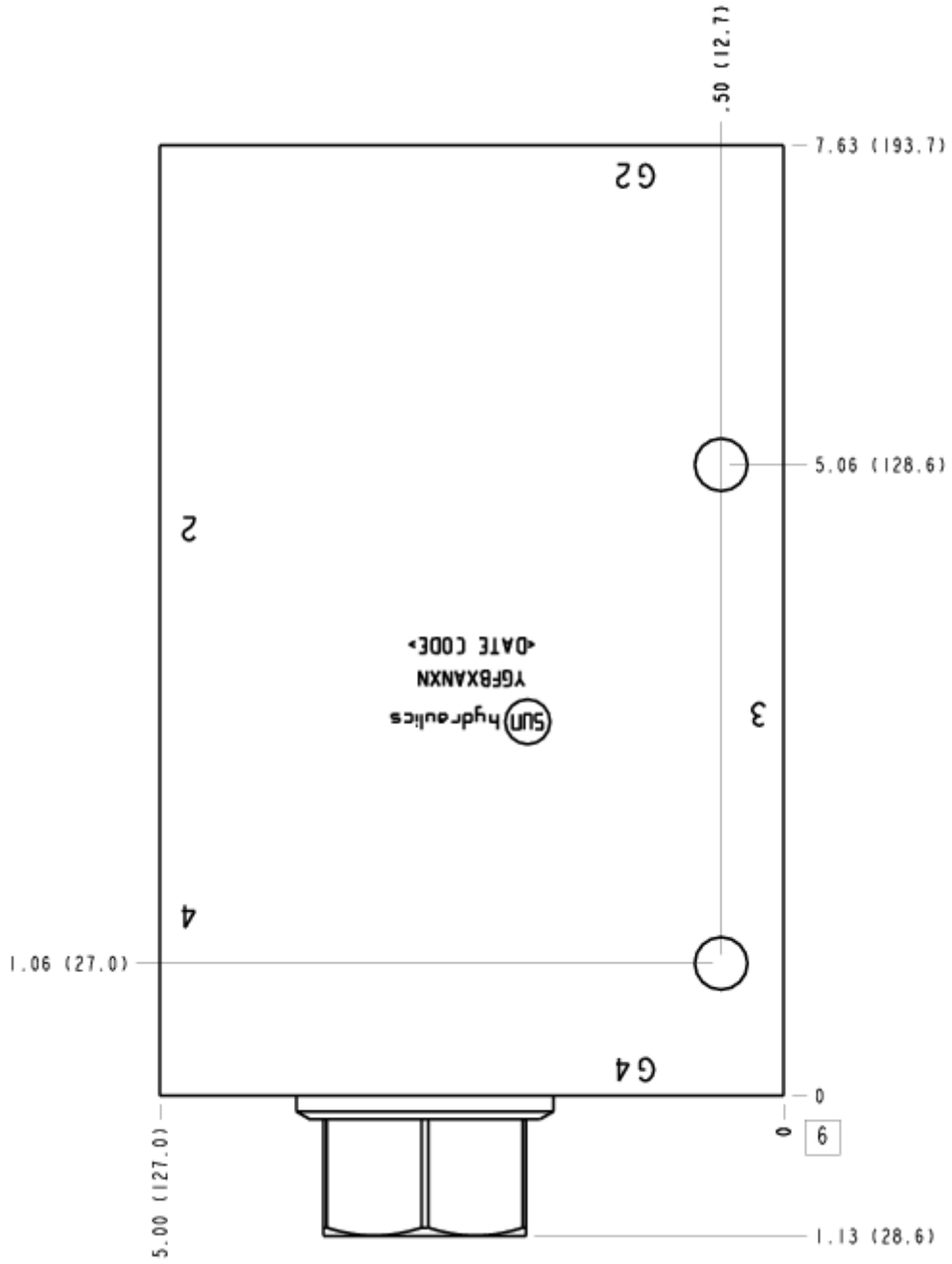
FACE 2



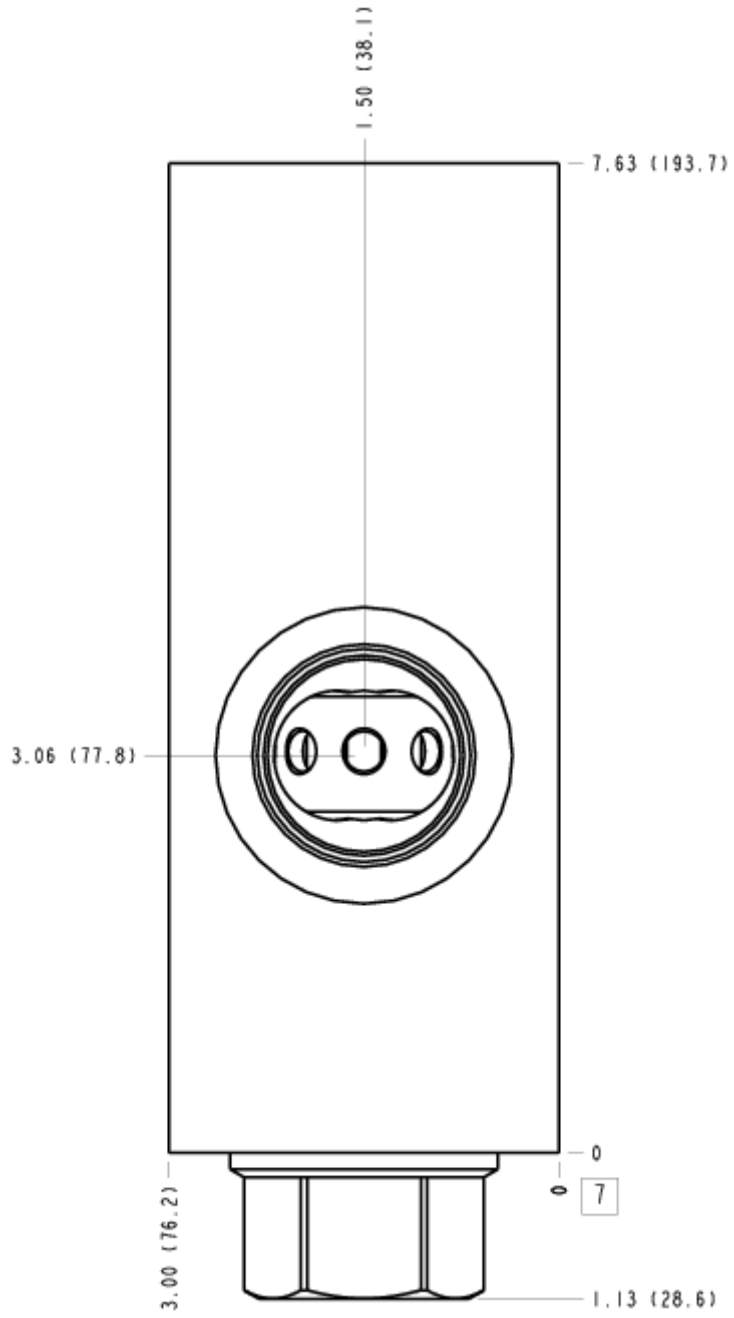
FACE 5



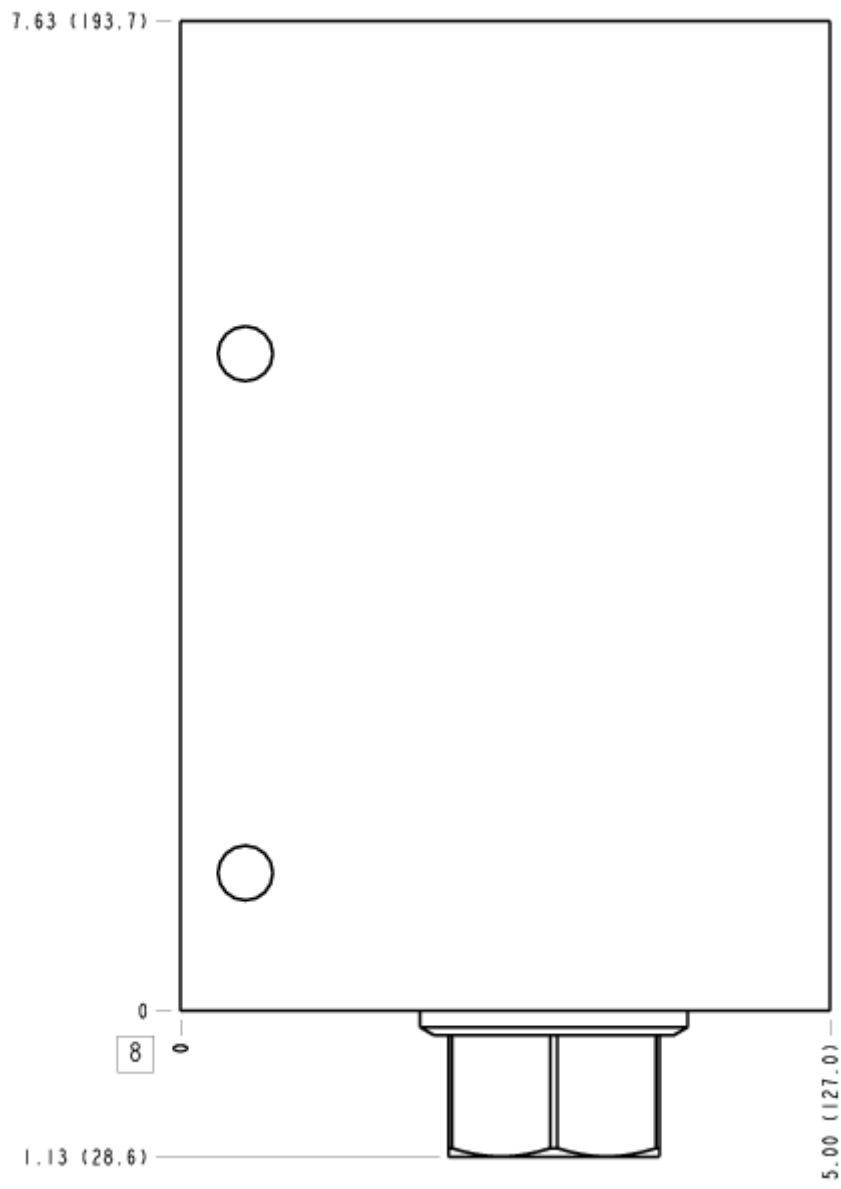
FACE 6



FACE 7



FACE 8



FACE 10

