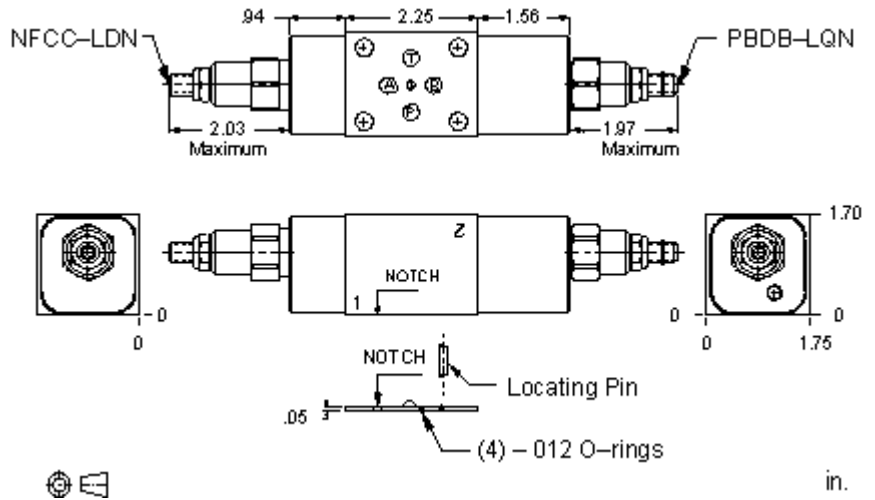


Pilot choke



TECHNICAL DATA NOTE: DATA MAY VARY BY CONFIGURATION. SEE CONFIGURATION SECTION.

Body Type	apilables
Interface	ISO 03
Capacity	40 L/min.
Body Features	On P
Seal Plate Included (see notes)	Yes
Stack Height	44,5 mm

OPTION SELECTION EXAMPLE: YNAALCNA

CONTROL		(L) MAXIMUM ORIFICE DIAMETER	(C) SEAL MATERIAL	(N)	
L	Standard Screw Adjustment	C	.19 in. (4,8 mm)	N	Buna-N
H	Calibrated Handknob with Detent Lock	D	.09 in. (2,3 mm)	V	Viton
K	manilla				
PRIMARY CARTRIDGE				(A)	
A	A (with NFCC primary cartridge, Totalmente ajustable aguja válvula)				

INCLUDED COMPONENTS

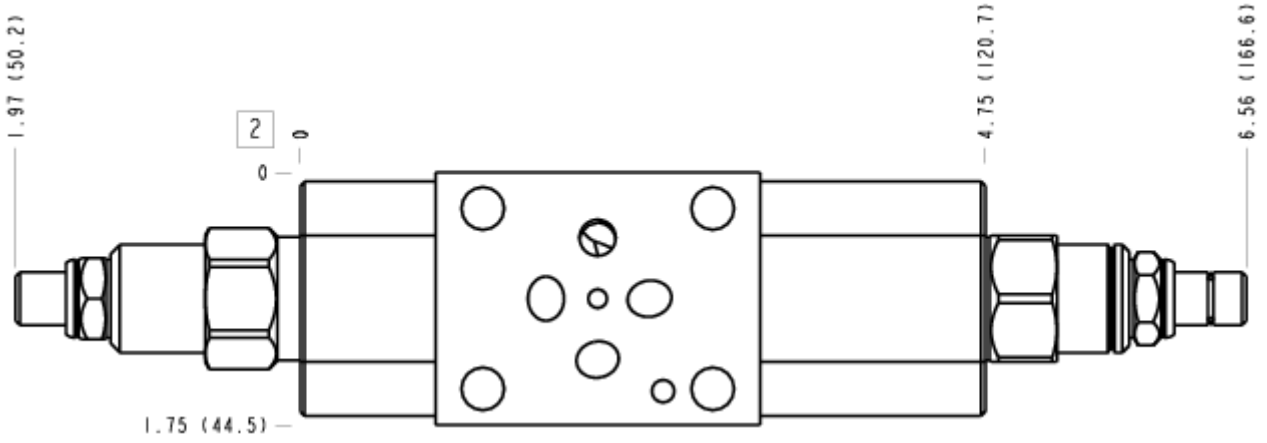
Part	Description	Quantity
500-001-012*	O-Ring	4
700-002*	Seal Plate	1
811-001-006*	Pin	1
850-004-250*	Plug	1
NFCCLCN	Cartridge - Primary	1
PBDBLQN	Cartridge	1

MANIFOLD FACES

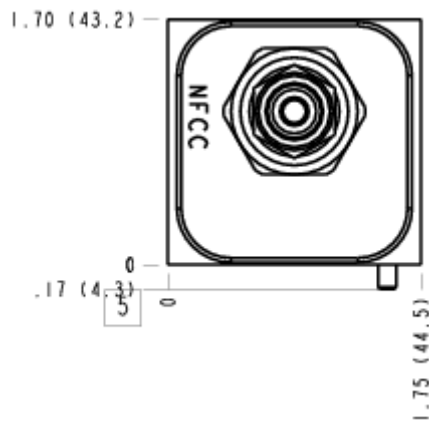
FACE GRID

1	2	3	4
5	6	7	8
9	10	11	12

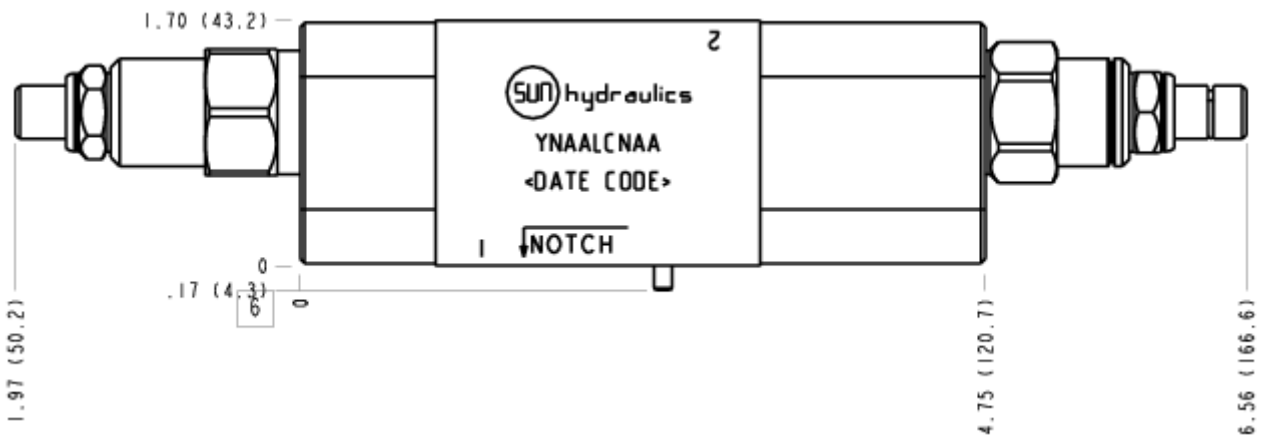
FACE 2



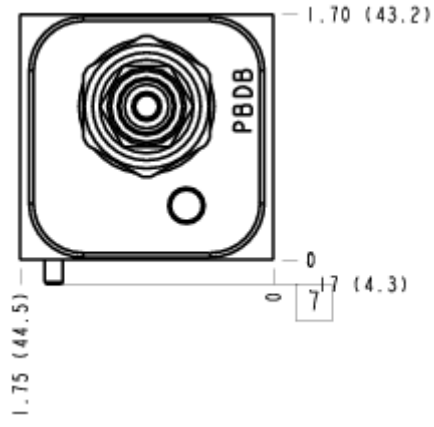
FACE 5



FACE 6



FACE 7



FACE 10

