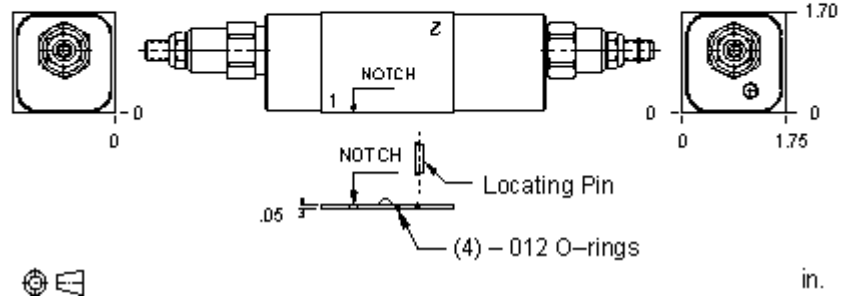
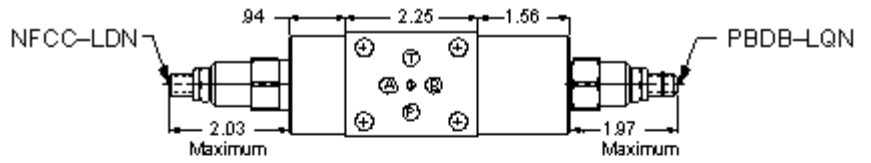


Pilot choke



TECHNICAL DATA NOTE: DATA MAY VARY BY CONFIGURATION. SEE CONFIGURATION SECTION.

	ISO 03
	40 L/min.
Stack Height	44,5 mm
()	
	P

OPTION SELECTION EXAMPLE: YNAALCNA

(L) (C) (N)

L	C .19 in. (4,8 mm)	N
	D .09 in. (2,3 mm)	V

PRIMARY CARTRIDGE

(A)

A	A (with NFCC primary cartridge,)
----------	-----------------------------------

INCLUDED COMPONENTS

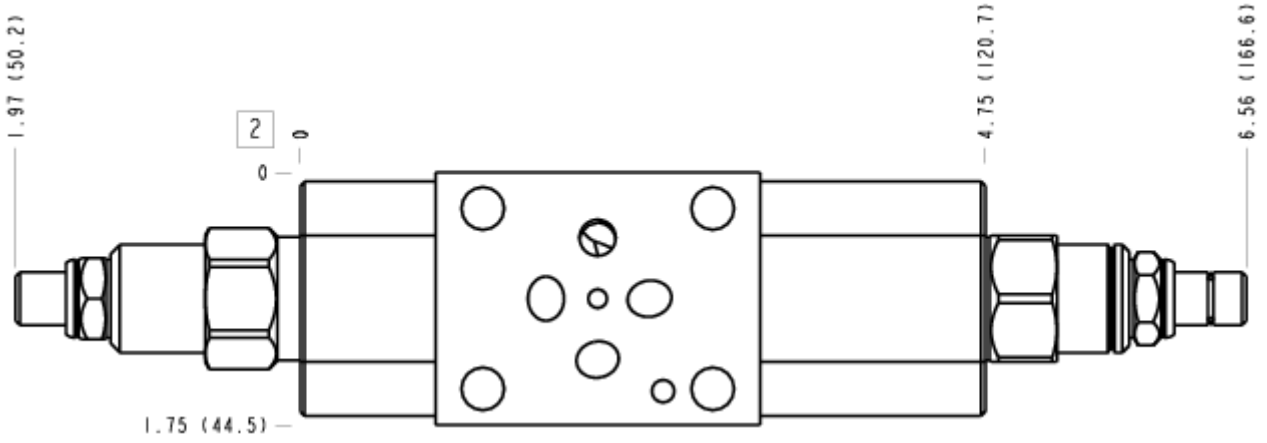
Part	Description	Quantity
500-001-012*	O-Ring	4
700-002*	Seal Plate	1
811-001-006*	Pin	1
850-004-250*	Plug	1
NFCCLCN	Cartridge - Primary	1
PBDBLQN	Cartridge	1

MANIFOLD FACES

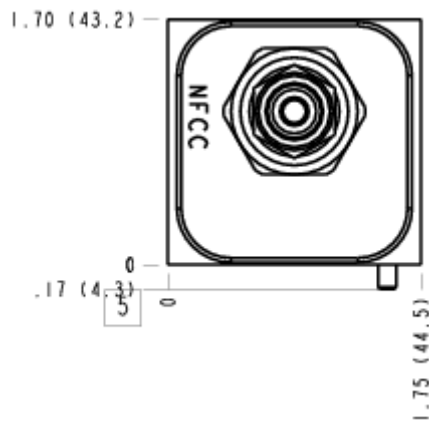
FACE GRID

1	2	3	4
5	6	7	8
9	10	11	12

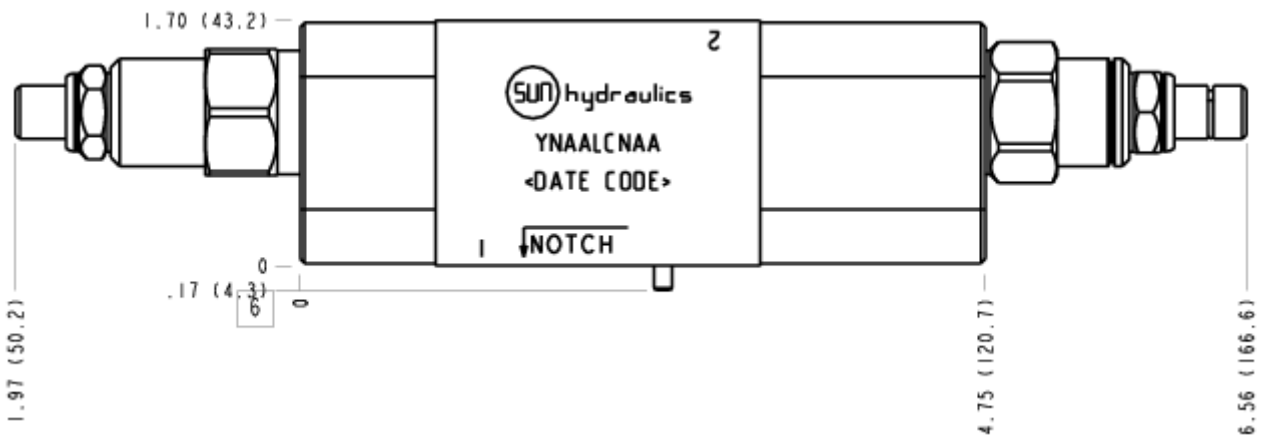
FACE 2



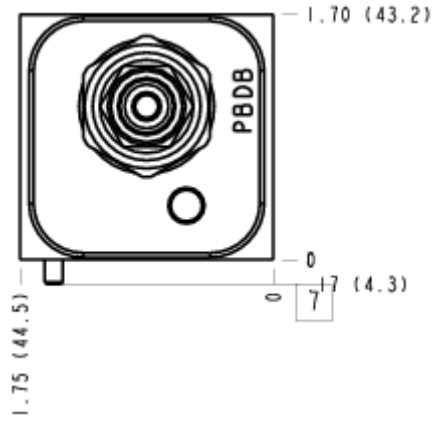
FACE 5



FACE 6



FACE 7



FACE 10

