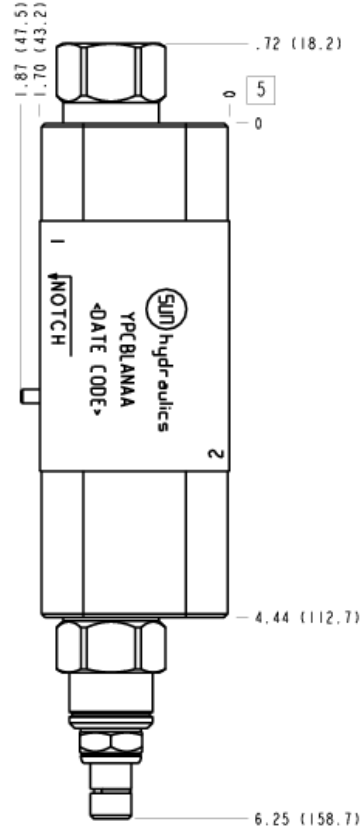


CONFIGURATION

L	
A	100 - 3000 psi (7 - 210 bar), 200 psi (14 bar)
N	
A Primary Cartridge	A (with PBDB primary cartridge, ,)
A Port and Material Designation	A Aluminum



TECHNICAL DATA NOTE: DATA MAY VARY BY CONFIGURATION. SEE CONFIGURATION SECTION.

	ISO 03
	40 L/min.
Stack Height	44,7 mm
()	
	On B with free flow check

OPTION SELECTION EXAMPLE: YPCBLANAA

(L) (A) (N)

L	A	100 - 3000 psi (7 - 210 bar), 200 psi (14 bar)	N
C			V
F	B	50 - 1500 psi (3,5 - 105 bar), 200 psi (14 bar)	
K	C	150 - 6000 psi (10,5 - 420 bar), 200 psi (14 bar)	
W	D	25 - 800 psi (1,7 - 55 bar), 200 psi (14 bar)	
Y	E	25 - 400 psi (1,7 - 28 bar), 200 psi (14 bar)	
	N	60 - 800 psi (4 - 55 bar), 200 psi (14 bar)	
	Q	60 - 400 psi (4 - 28 bar), 200 psi (14 bar)	
	W	150 - 4500 psi (10,5 - 315 bar), 200 psi (14 bar)	

PRIMARY CARTRIDGE

(A)

A	A (with PBDB primary cartridge, ,)		
A	A (with PBDB8 primary cartridge, ,	T-8A)

INCLUDED COMPONENTS

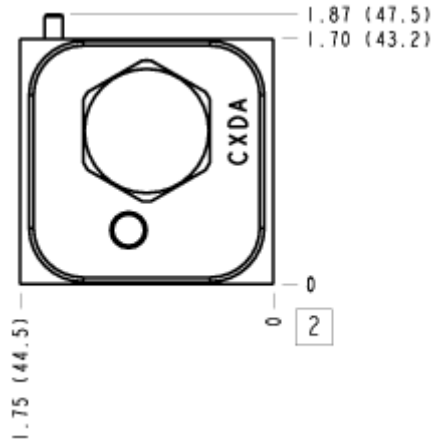
Part	Description	Quantity
500-001-012*	O-Ring	4
700-002*	Seal Plate	1
811-001-006*	Pin	1
850-004-250*	Plug	2
CXDAXCN	Cartridge	1
PBDBLAN	Cartridge - Primary	1

MANIFOLD FACES

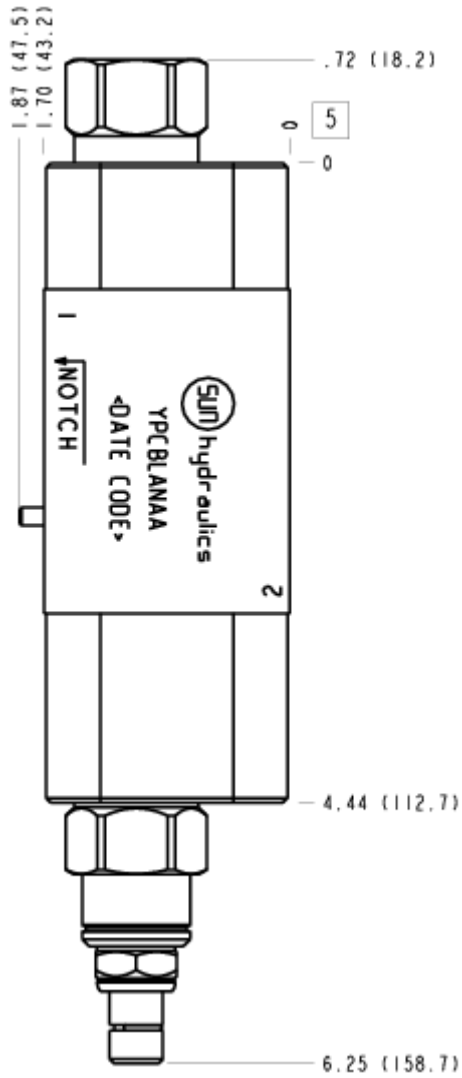
FACE GRID

1	2	3	4
5	6	7	8
9	10	11	12

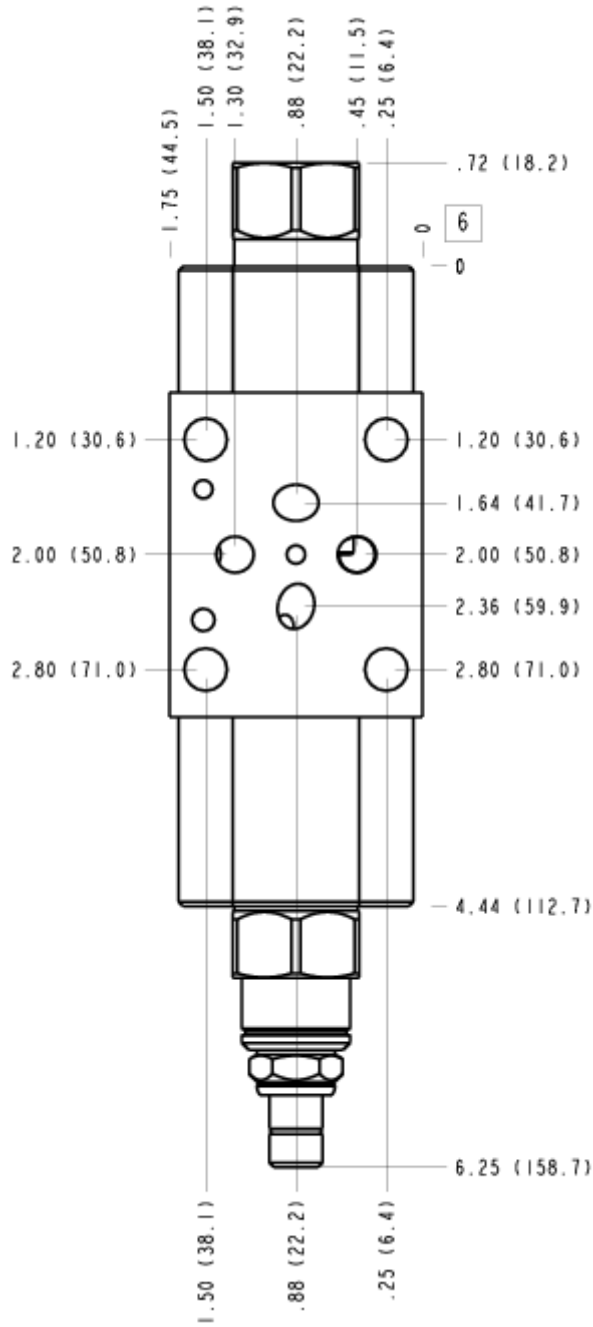
FACE 2



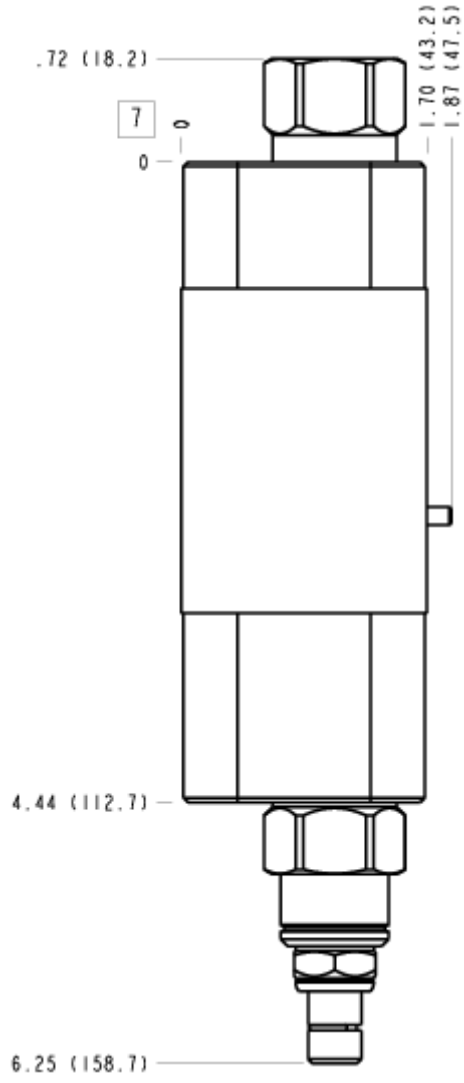
FACE 5



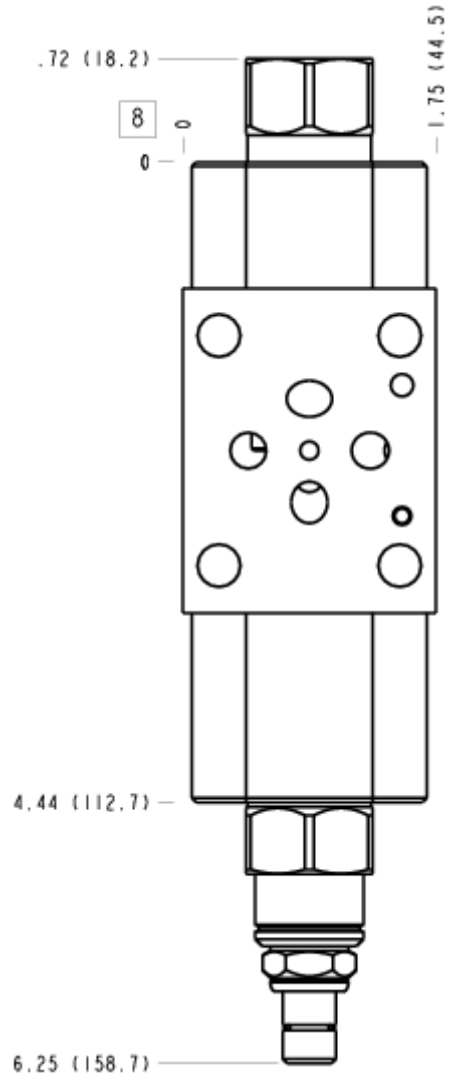
FACE 6



FACE 7



FACE 8



FACE 10

