

TECHNICAL DATA

Interface	ISO 03
Capacity	40 L/min.
Body Features	On B, port 3 to T
Seal Plate Included (see notes)	Yes
Stack Height	44,7 mm

OPTION SELECTION EXAMPLE: YPCRLANAA

CONTROL	(L) ADJUSTMENT RANGE	(A) SEAL MATERIAL	(N)
L Standard Screw Adjustment	A 100 - 3000 psi (7 - 210 bar), 200 psi (14 bar) Standard Setting	N Buna-N	
C Tamper Resistant - Factory Set	B 50 - 1500 psi (3,5 - 105 bar), 200 psi (14 bar) Standard Setting	V Viton	
W Hex Wrench Adjustment	C 150 - 6000 psi (10,5 - 420 bar), 200 psi (14 bar) Standard Setting		
Y manilla de tres agarres	D 25 - 800 psi (1,7 - 55 bar), 200 psi (14 bar) Standard Setting		
	E 25 - 400 psi (1,7 - 28 bar), 200 psi (14 bar) Standard Setting		
	N 60 - 800 psi (4 - 55 bar), 200 psi (14 bar) Standard Setting		
	Q 60 - 400 psi (4 - 28 bar), 200 psi (14 bar) Standard Setting		
	W 150 - 4500 psi (10,5 - 315 bar), 200 psi (14 bar) Standard Setting		

PRIMARY CARTRIDGE
(A)

A	A (with PPDB primary cartridge, Pilot-operated, reductor/alivio de presión válvula)
A	A (with PPDB8 primary cartridge, Pilot-operated, reductor/alivio de presión módulo principal con cavidad de control T-8A integral)

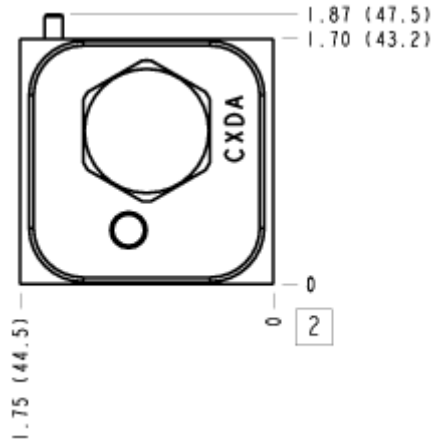
INCLUDED COMPONENTS

Part	Description	Quantity
500-001-012*	O-Ring	4
700-002*	Seal Plate	1
811-001-006*	Pin	1
850-004-250*	Plug	2
CXDAXCN	Cartridge	1
PPDBLAN	Cartridge - Primary	1

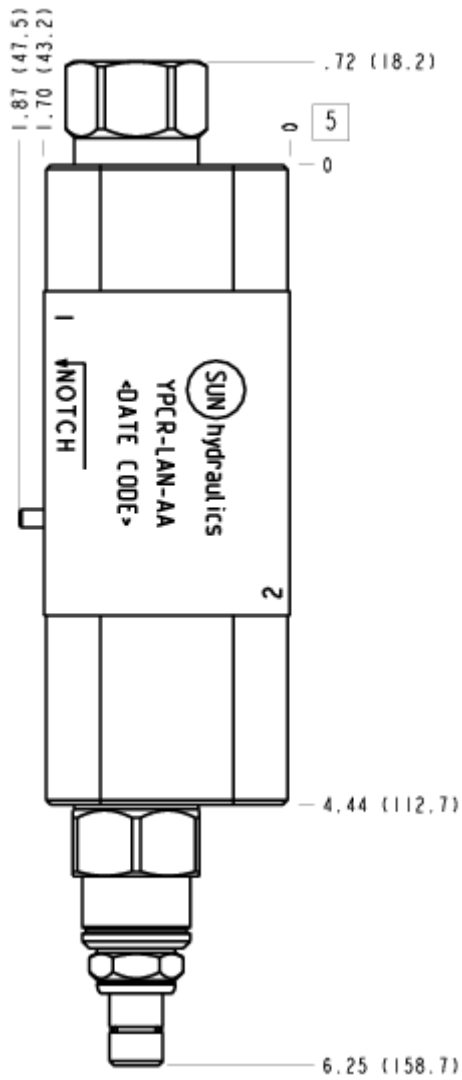
MANIFOLD FACES
FACE GRID

1	2	3	4
5	6	7	8
9	10	11	12

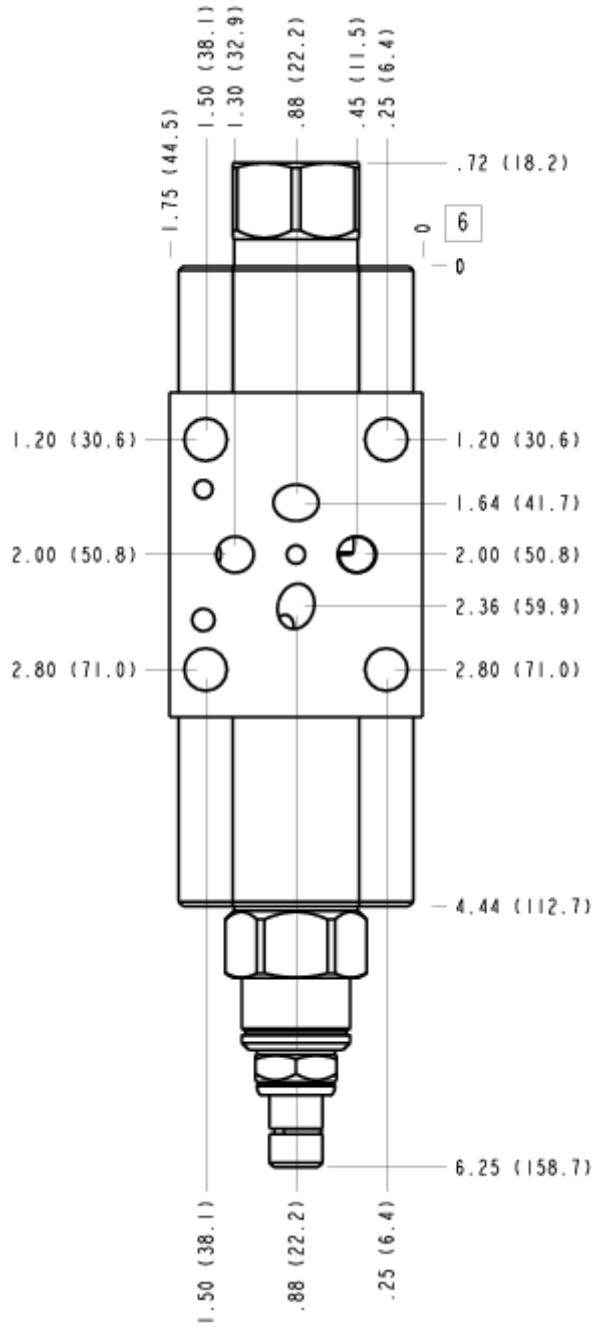
FACE 2



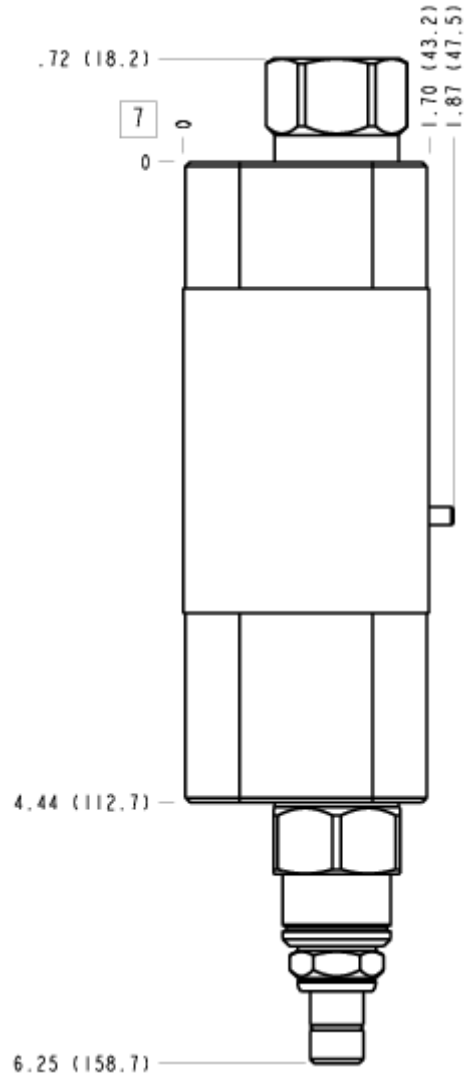
FACE 5



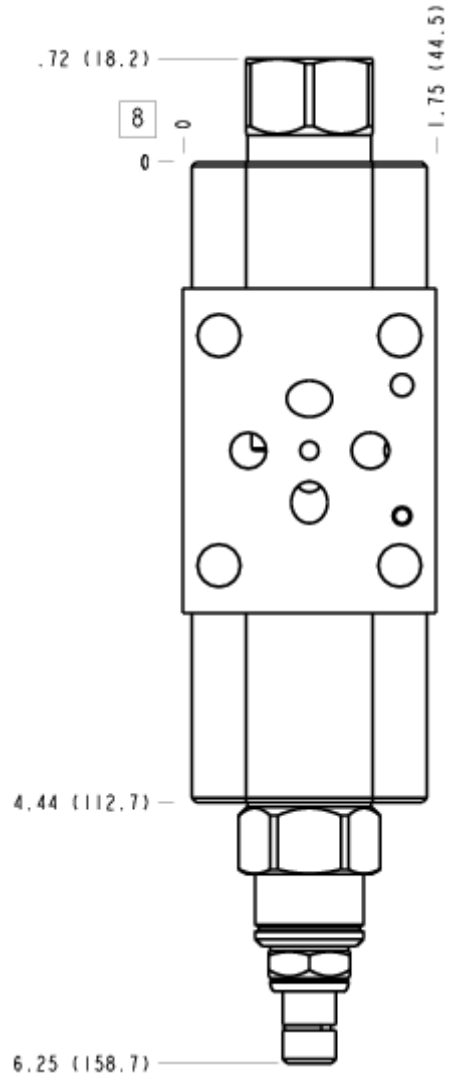
FACE 6



FACE 7



FACE 8



FACE 10

