

### TECHNICAL DATA

|                        |            |
|------------------------|------------|
| Body Type              | Line mount |
| Capacity               | 160 L/min. |
| Mounting Hole Diameter | 10,4 mm    |
| Mounting Hole Depth    | Through    |
| Mounting Hole Quantity | 2          |

OPTION SELECTION EXAMPLE: YPGALANCN

| CONTROL                                 | (L) ADJUSTMENT RANGE  | (A) SEAL MATERIAL | (N) |
|---|---|-------------------|-----|
| <b>L</b> Standard Screw Adjustment      | <b>A</b> 100 - 3000 psi (7 - 210 bar), 200 psi (14 bar) Standard Setting    | <b>N</b> Buna-N   |     |
| <b>C</b> Tamper Resistant - Factory Set | <b>B</b> 50 - 1500 psi (3,5 - 105 bar), 200 psi (14 bar) Standard Setting   | <b>V</b> Viton    |     |
| <b>W</b> Hex Wrench Adjustment          | <b>C</b> 150 - 6000 psi (10,5 - 420 bar), 200 psi (14 bar) Standard Setting |                   |     |
| <b>Y</b> manilla de tres agarres        | <b>D</b> 25 - 800 psi (1,7 - 55 bar), 200 psi (14 bar) Standard Setting     |                   |     |
|   | <b>E</b> 25 - 400 psi (1,7 - 28 bar), 200 psi (14 bar) Standard Setting     |                   |     |
|   | <b>N</b> 60 - 800 psi (4 - 55 bar), 200 psi (14 bar) Standard Setting       |                   |     |
|   | <b>Q</b> 60 - 400 psi (4 - 28 bar), 200 psi (14 bar) Standard Setting       |                   |     |
|   | <b>W</b> 150 - 4500 psi (10,5 - 315 bar), 200 psi (14 bar) Standard Setting |                   |     |

PRIMARY CARTRIDGE

(C)

|          |   |
|----------|---|
| <b>C</b> | 30 psi (2 bar) (with PBHB primary cartridge, Pilot-operated, reductor de presión válvula )  |
| <b>A</b> | 4 psi (0,3 bar) (with PBHB primary cartridge, Pilot-operated, reductor de presión válvula )   |
| <b>B</b> | 15 psi (1 bar) (with PBHB primary cartridge, Pilot-operated, reductor de presión válvula )  |
| <b>D</b> | 50 psi (3,5 bar) (with PBHB primary cartridge, Pilot-operated, reductor de presión válvula )  |
| <b>E</b> | 75 psi (5 bar) (with PBHB primary cartridge, Pilot-operated, reductor de presión válvula )  |
| <b>F</b> | 100 psi (7 bar) (with PBHB primary cartridge, Pilot-operated, reductor de presión válvula )   |
| <b>Z</b> | 1 psi (0,07 bar) (with PBHB primary cartridge, Pilot-operated, reductor de presión válvula )  |
| <b>Z</b> | 1 psi (0,07 bar) (with PBHB8 primary cartridge, Pilot-operated, reductor de presión módulo principal con cavidad de control T-8A integral ) |
| <b>F</b> | 100 psi (7 bar) (with PBHB8 primary cartridge, Pilot-operated, reductor de presión módulo principal con cavidad de control T-8A integral )  |
| <b>E</b> | 75 psi (5 bar) (with PBHB8 primary cartridge, Pilot-operated, reductor de presión módulo principal con cavidad de control T-8A integral )   |
| <b>D</b> | 50 psi (3,5 bar) (with PBHB8 primary cartridge, Pilot-operated, reductor de presión módulo principal con cavidad de control T-8A integral ) |
| <b>C</b> | 30 psi (2 bar) (with PBHB8 primary cartridge, Pilot-operated, reductor de presión módulo principal con cavidad de control T-8A integral )   |
| <b>B</b> | 15 psi (1 bar) (with PBHB8 primary cartridge, Pilot-operated, reductor de presión módulo principal con cavidad de control T-8A integral )   |
| <b>A</b> | 4 psi (0,3 bar) (with PBHB8 primary cartridge, Pilot-operated, reductor de presión módulo principal con cavidad de control T-8A integral )  |

INCLUDED COMPONENTS

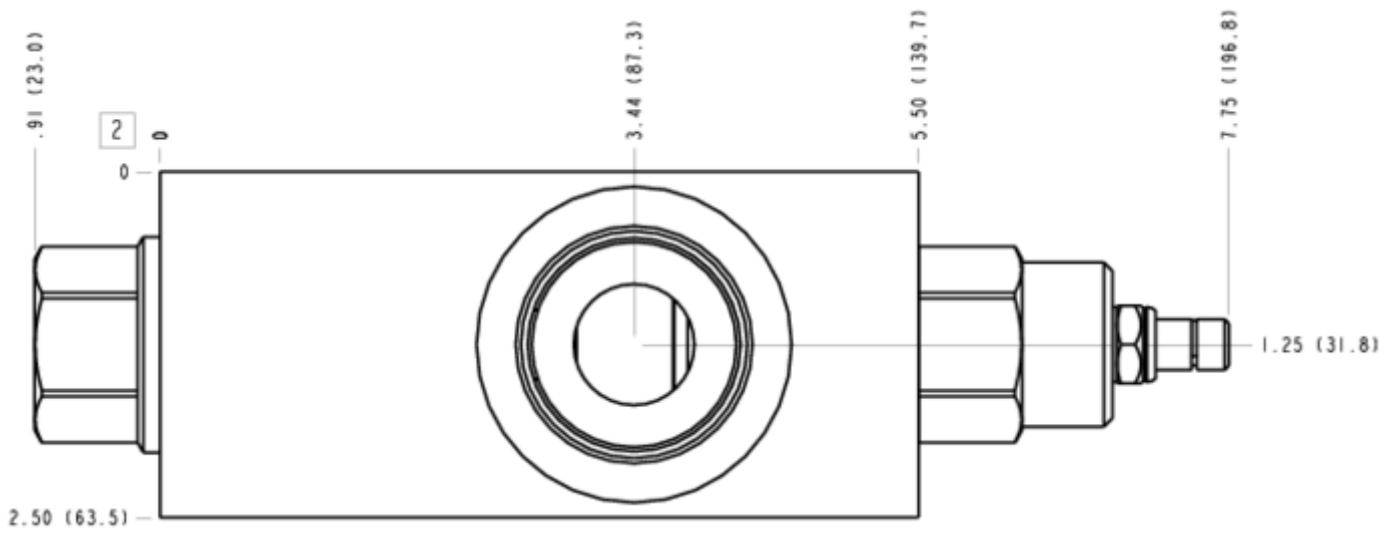
| Part    | Description         | Quantity |
|---------|---------------------|----------|
| CXGDXCN | Cartridge           | 1        |
| PBHBLAN | Cartridge - Primary | 1        |

# MANIFOLD FACES

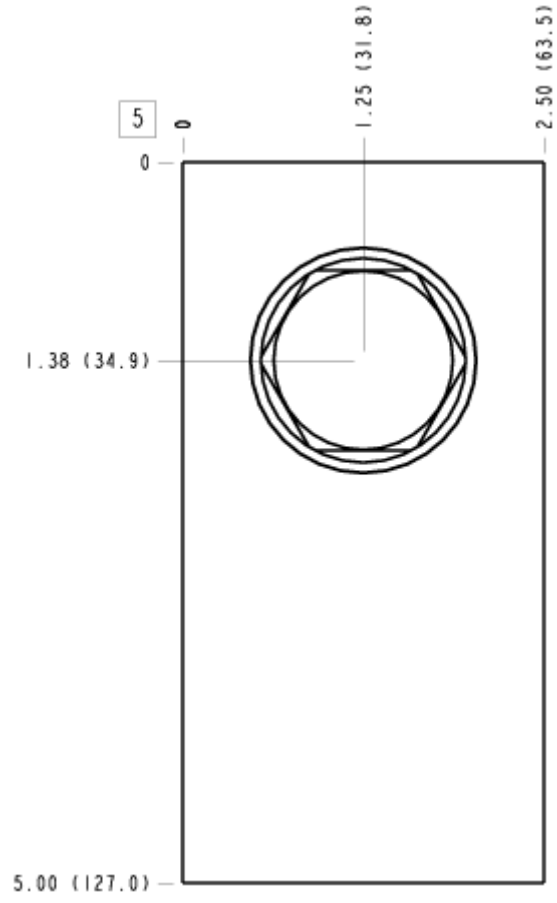
## FACE GRID

|   |    |    |    |
|---|----|----|----|
| 1 | 2  | 3  | 4  |
| 5 | 6  | 7  | 8  |
| 9 | 10 | 11 | 12 |

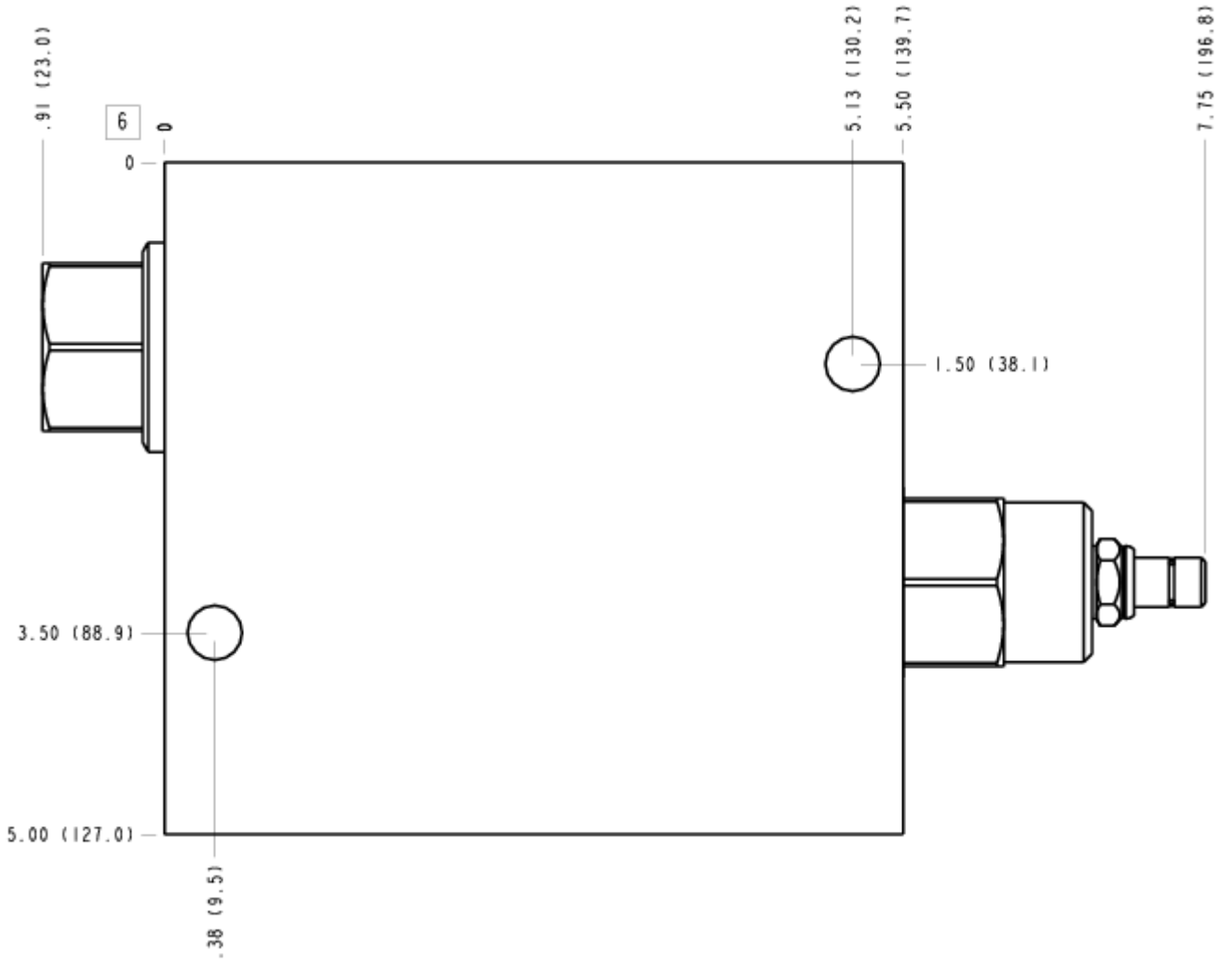
## FACE 2



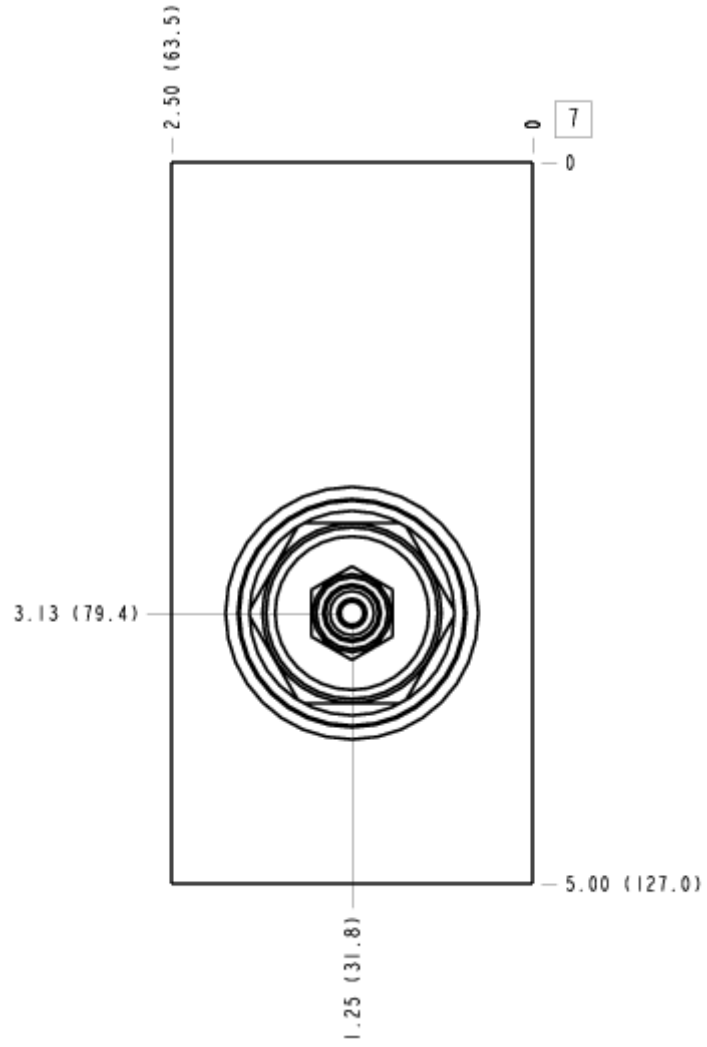
# FACE 5



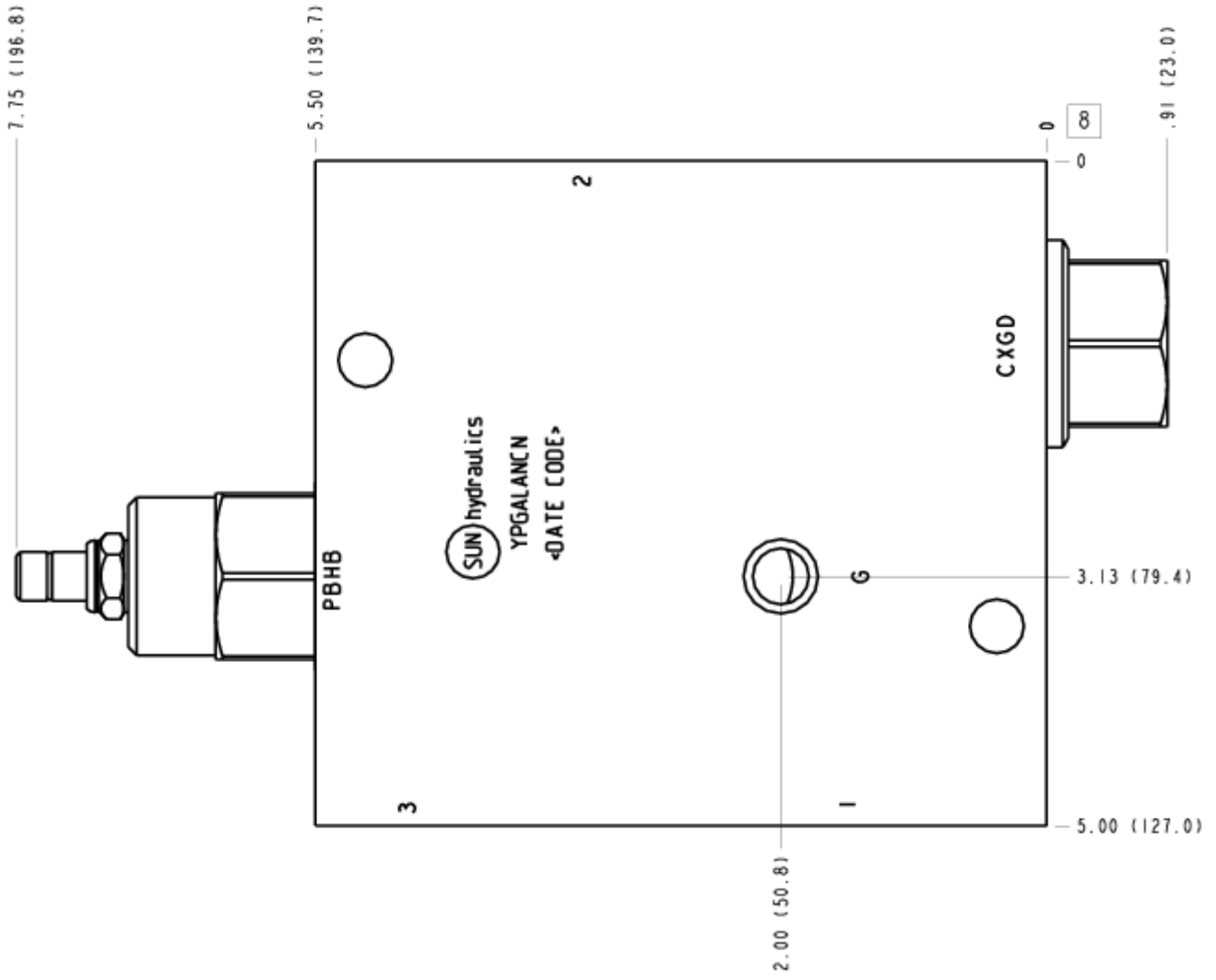
FACE 6



FACE 7



FACE 8



FACE 10

