

**CONFIGURATION**

<b>L</b>	
<b>A</b>	100 - 3000 psi (7 - 210 bar), 200 psi (14 bar)
<b>N</b>	
<b>C</b>	Range Letter(s) of Subordinate Cartridge 30 psi (2 bar) (with PBJB primary cartridge, )
<b>R</b>	Ports 1 & 2 — 1 1/2 in. Code 61; Port 3 — SAE 6; Gage Port — 1/4" NPTF; Aluminum

**TECHNICAL DATA**

	320 L/min.	NOTE: DATA MAY VARY BY
--	------------	------------------------

**OPTION SELECTION EXAMPLE: YPJALNCR**

(L) (A) (N)

<b>L</b>	<b>A</b>	100 - 3000 psi (7 - 210 bar), 200 psi (14 bar)	<b>N</b>
<b>C</b>	<b>B</b>	50 - 1500 psi (3,5 - 105 bar), 200 psi (14 bar)	<b>V</b>
<b>K</b>	<b>C</b>	150 - 6000 psi (10,5 - 420 bar), 200 psi (14 bar)	
	<b>N</b>	60 - 800 psi (4 - 55 bar), 200 psi (14 bar)	
	<b>Q</b>	60 - 400 psi (4 - 28 bar), 200 psi (14 bar)	
	<b>W</b>	150 - 4500 psi (10,5 - 315 bar), 200 psi (14 bar)	

**PRIMARY CARTRIDGE**

(C)

<b>C</b>	30 psi (2 bar) (with PBJB primary cartridge, , )		
<b>A</b>	4 psi (0,3 bar) (with PBJB primary cartridge, , )		
<b>B</b>	15 psi (1 bar) (with PBJB primary cartridge, , )		
<b>D</b>	50 psi (3,5 bar) (with PBJB primary cartridge, , )		
<b>E</b>	75 psi (5 bar) (with PBJB primary cartridge, , )		
<b>F</b>	100 psi (7 bar) (with PBJB primary cartridge, , )		
<b>Z</b>	1 psi (0,07 bar) (with PBJB primary cartridge, , )		
<b>Z</b>	1 psi (0,07 bar) (with PBJB8 primary cartridge, ,	T-8A	)
<b>F</b>	100 psi (7 bar) (with PBJB8 primary cartridge, ,	T-8A	)
<b>E</b>	75 psi (5 bar) (with PBJB8 primary cartridge, ,	T-8A	)
<b>D</b>	50 psi (3,5 bar) (with PBJB8 primary cartridge, ,	T-8A	)
<b>C</b>	30 psi (2 bar) (with PBJB8 primary cartridge, ,	T-8A	)
<b>B</b>	15 psi (1 bar) (with PBJB8 primary cartridge, ,	T-8A	)
<b>A</b>	4 psi (0,3 bar) (with PBJB8 primary cartridge, ,	T-8A	)

**INCLUDED COMPONENTS**

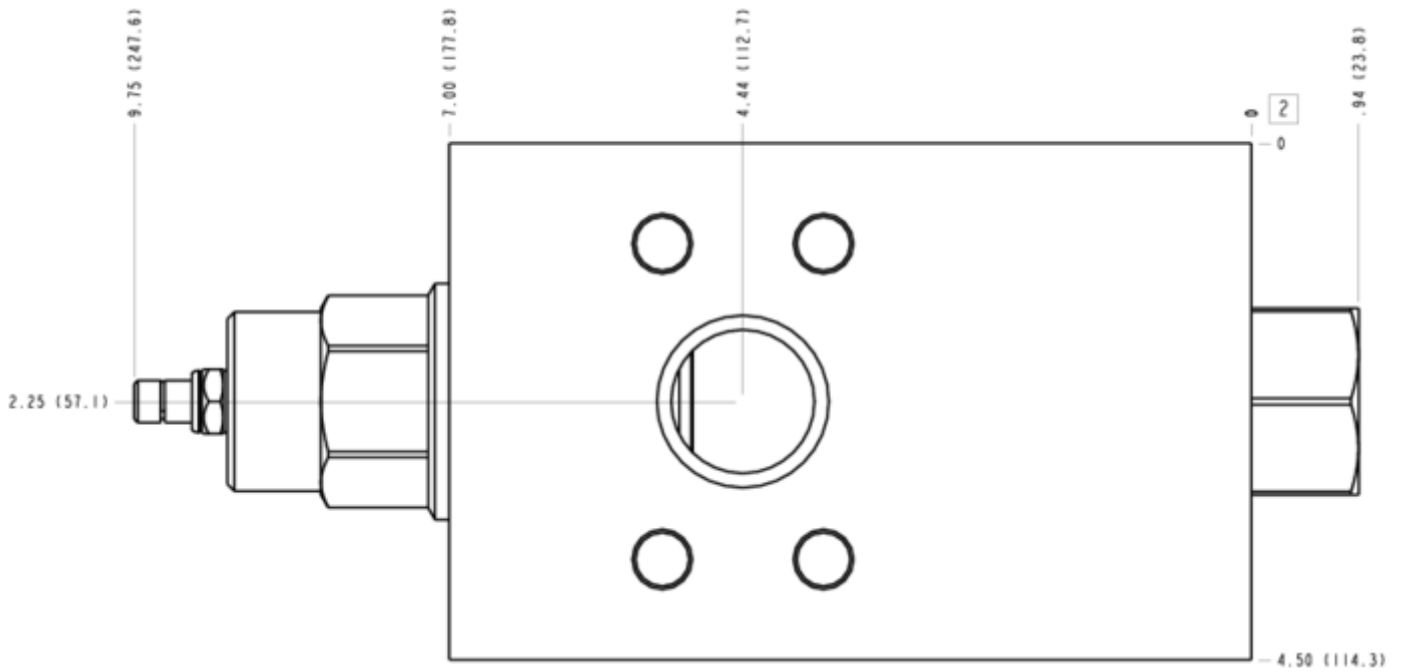
Part	Description	Quantity
CXIDXCN	Cartridge	1
PBJBLAN	Cartridge - Primary	1

# MANIFOLD FACES

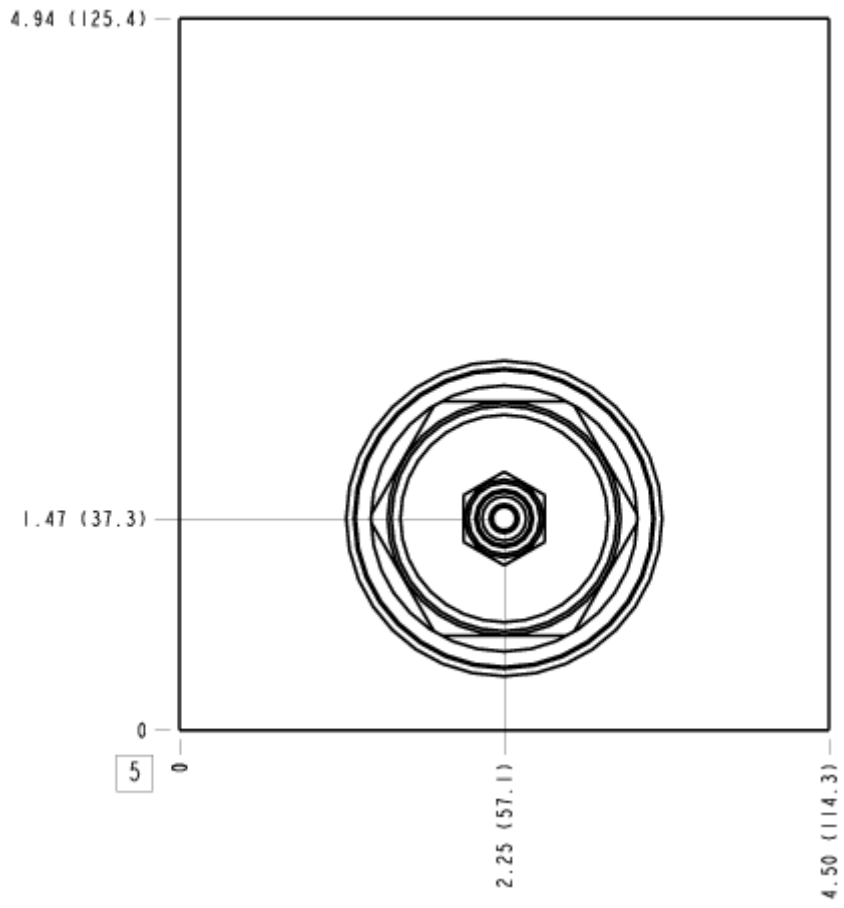
## FACE GRID

1	2	3	4
5	6	7	8
9	10	11	12

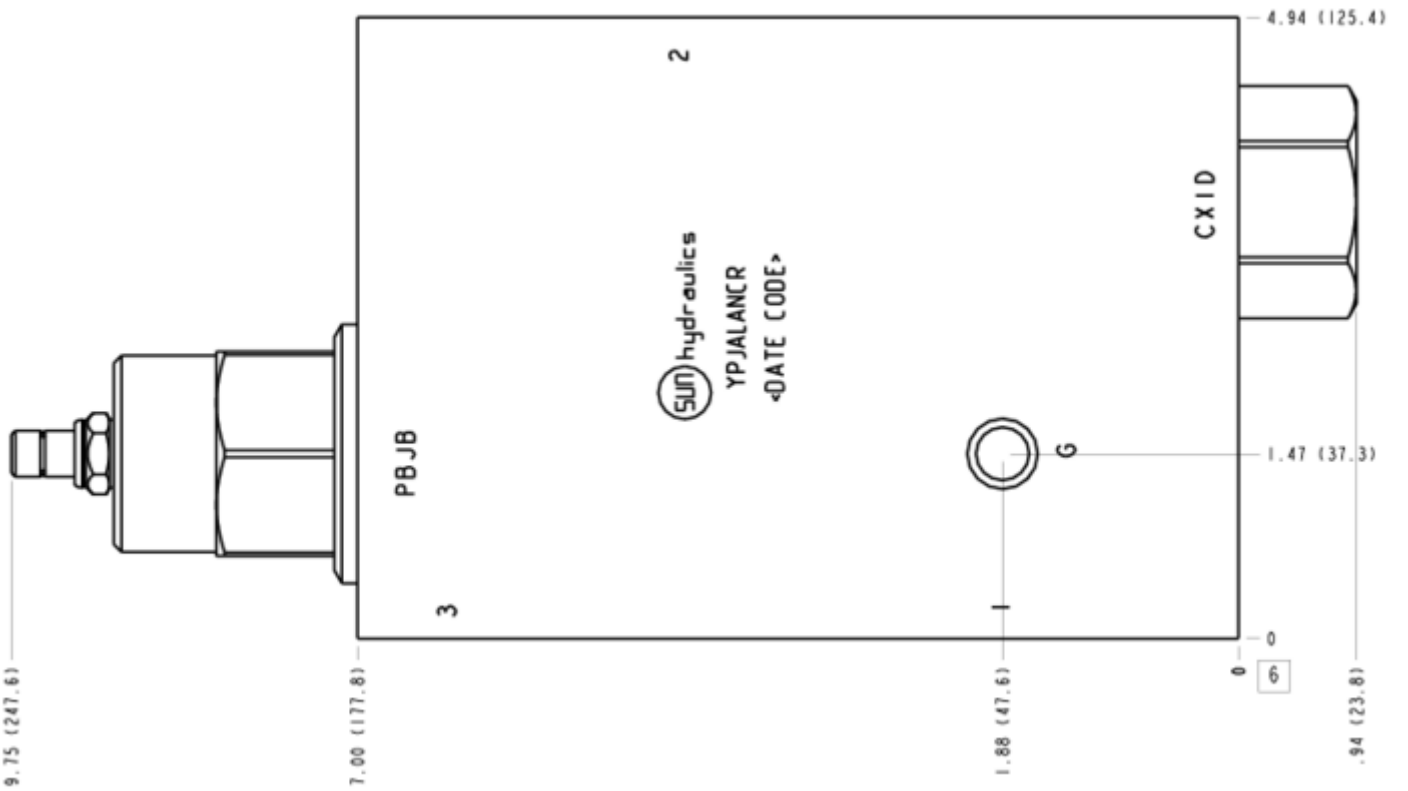
## FACE 2



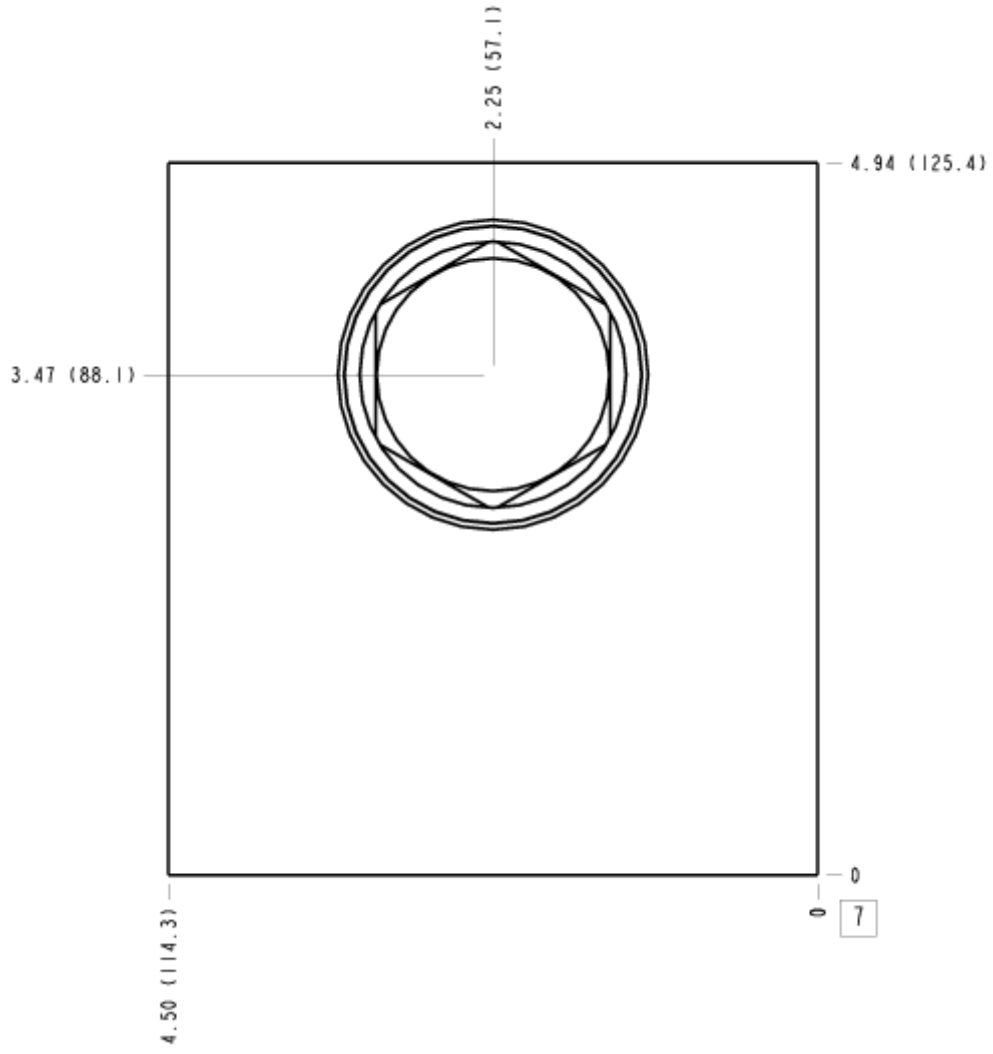
### FACE 5



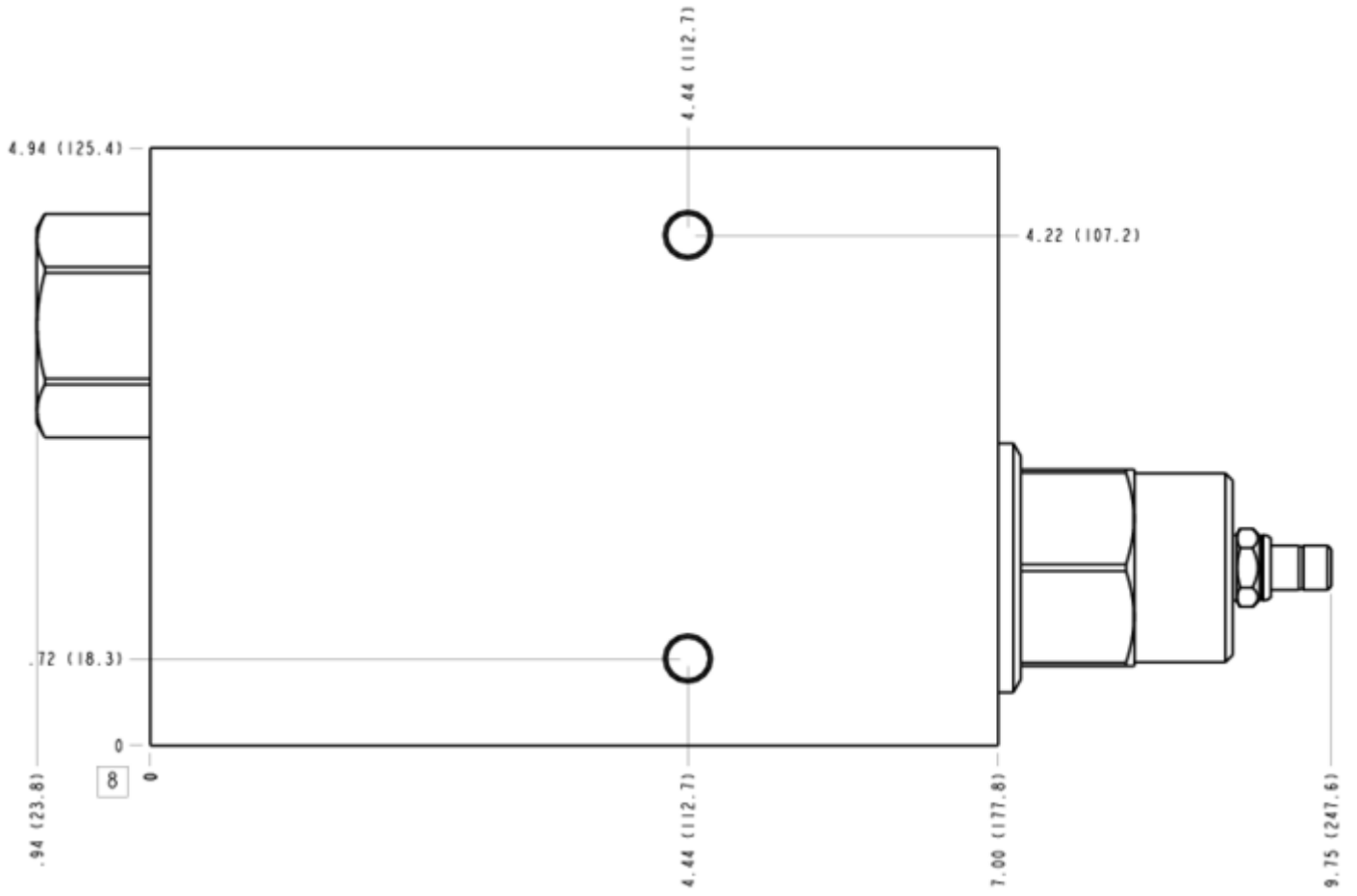
### FACE 6



FACE 7



### FACE 8



### FACE 10

