

### TECHNICAL DATA

Body Type	Subplate
Interface	ISO 05
Capacity	95 L/min.
Body Features	P to T, check on P, side ports
Check Cracking Pressure	2 bar
Stack Height	49 mm
Mounting Hole Diameter	11,1 mm
Mounting Hole Quantity	4

### OPTION SELECTION EXAMPLE: YREJLANBK

CONTROL	(L) ADJUSTMENT RANGE	(A) SEAL MATERIAL	(N)
<b>L</b> Standard Screw Adjustment	<b>A</b> 100 - 3000 psi (7 - 210 bar), 1000 psi (70 bar) Standard Setting	<b>N</b> Buna-N	
<b>C</b> Tamper Resistant - Factory Set	<b>B</b> 50 - 1500 psi (3,5 - 105 bar), 1000 psi (70 bar) Standard Setting	<b>V</b> Viton	
<b>F</b> Hex Head Screw with Locknut	<b>C</b> 150 - 6000 psi (10,5 - 420 bar), 1000 psi (70 bar) Standard Setting		
<b>W</b> Hex Wrench Adjustment	<b>D</b> 25 - 800 psi (1,7 - 55 bar), 400 psi (28 bar) Standard Setting		
<b>Y</b> manilla de tres agarres	<b>E</b> 25 - 400 psi (1,7 - 28 bar), 200 psi (14 bar) Standard Setting		
	<b>N</b> 60 - 800 psi (4 - 55 bar), 400 psi (28 bar) Standard Setting		
	<b>Q</b> 60 - 400 psi (4 - 28 bar), 200 psi (14 bar) Standard Setting		
	<b>W</b> 150 - 4500 psi (10,5 - 315 bar), 1000 psi (70 bar) Standard Setting		

#### PRIMARY CARTRIDGE

(B)

<b>B</b>	B (with RPEC primary cartridge, Pilot-operated, pistón balanceado alivio válvula )
<b>B</b>	B (with RPEC8 primary cartridge, Pilot-operated, pistón balanceado alivio módulo principal con cavidad de control T-8A integral )

#### INCLUDED COMPONENTS

Part	Description	Quantity
340-003*	Pipe Plug	1
CXDAXCN	Cartridge	1
RPECLAN	Cartridge - Primary	1

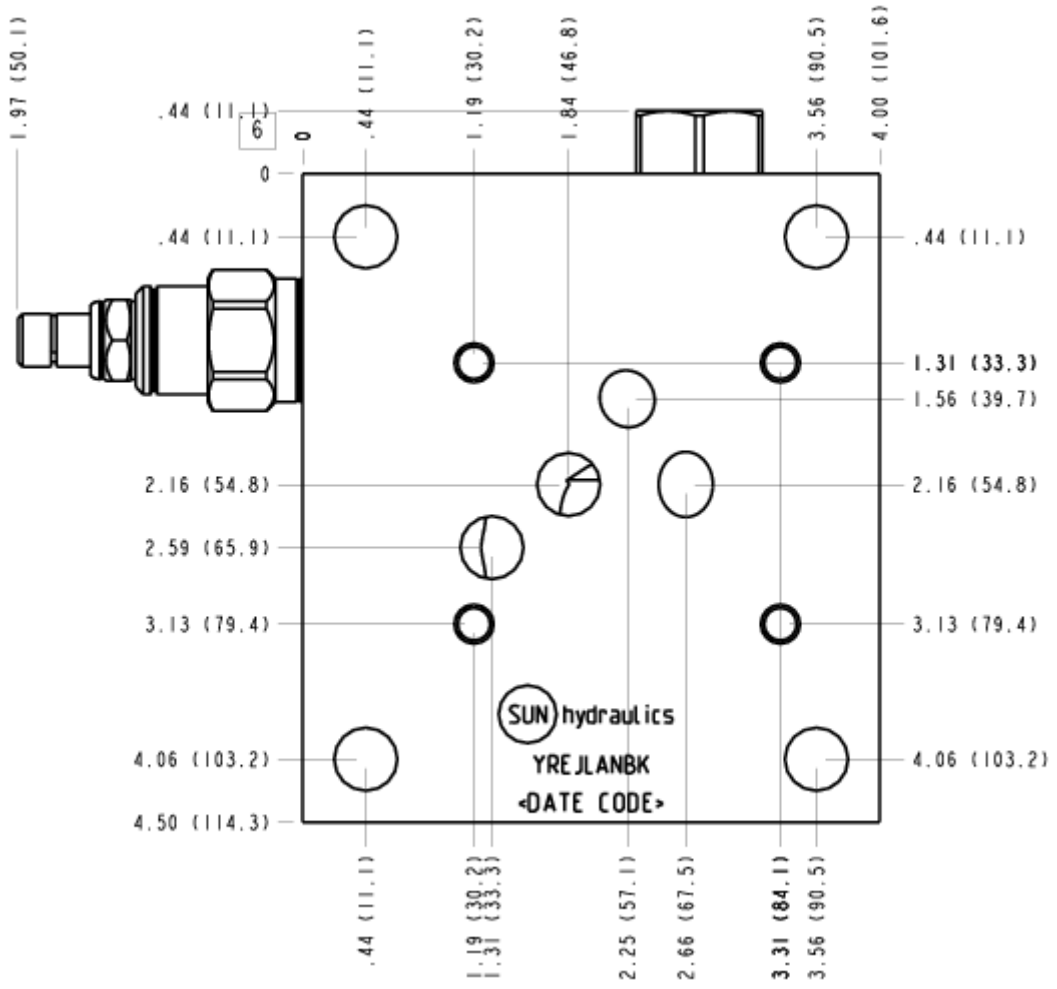
#### MANIFOLD FACES

##### FACE GRID

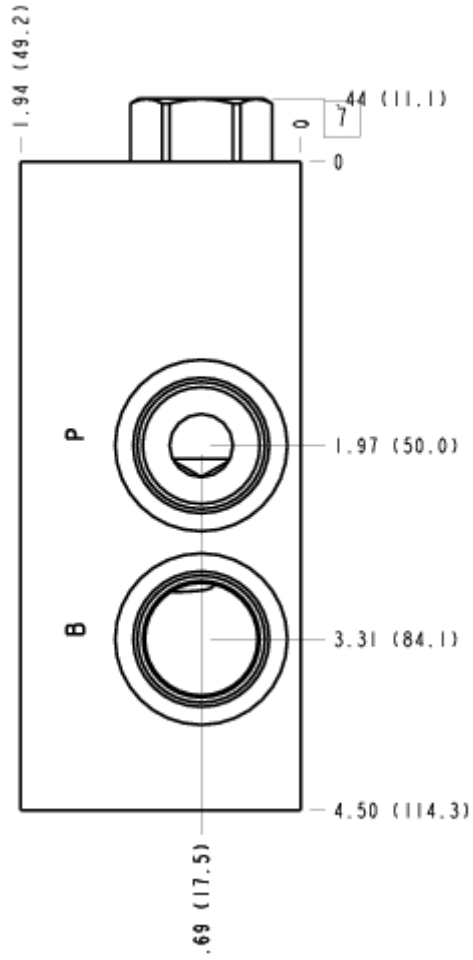
1	2	3	4
5	6	7	8
9	10	11	12



# FACE 6



### FACE 7



### FACE 10

