

This assembly consists of a bypass/restrictive, fixed-orifice, priority flow control which takes an input flow at port P and uses it to satisfy the priority flow at port CF. If the input flow exceeds the priority flow requirement, the excess is bypassed out port EF. The bypass flow may be used in a secondary circuit. The relief valve protects the controlled flow from over-pressurization, relieving excess flow out of port T.

**TECHNICAL DATA** NOTE: DATA MAY VARY BY CONFIGURATION. SEE CONFIGURATION SECTION.

Body Type	Line mount
Capacity	30 gpm
Control Flow Range	0 - 12 gpm
Mounting Hole Diameter	.41 in.
Mounting Hole Depth	Through
Mounting Hole Quantity	2

- NOTES:**
- **Important:** Carefully consider the maximum system pressure. The pressure rating of the manifold is dependent on the manifold material, with the port type/size a secondary consideration. Manifolds constructed of aluminum are not rated for pressures higher than 3000 psi (210 bar), regardless of the port type/size specified.
  - For detailed information regarding the cartridges contained in this assembly, click on the models codes shown in the Included Components tab.

### OPTION SELECTION EXAMPLE: YRENLANAL

CONTROL	(L) ADJUSTMENT RANGE	(A) SEAL MATERIAL	(N)
<b>L</b> Standard Screw Adjustment	<b>A</b> 100 - 3000 psi (7 - 210 bar), 1000 psi (70 bar) Standard Setting	<b>N</b> Buna-N	
<b>C</b> Tamper Resistant - Factory Set	<b>B</b> 50 - 1500 psi (3,5 - 105 bar), 1000 psi (70 bar) Standard Setting	<b>V</b> Viton	
<b>K</b> Handknob	<b>C</b> 150 - 6000 psi (10,5 - 420 bar), 1000 psi (70 bar) Standard Setting		
<b>W</b> Hex Wrench Adjustment	<b>D</b> 25 - 800 psi (1,7 - 55 bar), 400 psi (28 bar) Standard Setting		
<b>Y</b> Tri-Grip Handknob	<b>E</b> 25 - 400 psi (1,7 - 28 bar), 200 psi (14 bar) Standard Setting		
	<b>N</b> 60 - 800 psi (4 - 55 bar), 400 psi (28 bar) Standard Setting		
	<b>Q</b> 60 - 400 psi (4 - 28 bar), 200 psi (14 bar) Standard Setting		
	<b>W</b> 150 - 4500 psi (10,5 - 315 bar), 1000 psi (70 bar) Standard Setting		

PRIMARY CARTRIDGE (A)

<b>A</b>	A (with RPEC primary cartridge, Pilot-operated, balanced piston relief valve)
<b>A</b>	A (with RPEC8 primary cartridge, Pilot-operated, balanced piston relief main stage with integral T-8A control cavity)

### INCLUDED COMPONENTS

Part	Description	Quantity
FRDALAN	Cartridge	1
RPECLAN	Cartridge - Primary	1

### TECHNICAL FEATURES

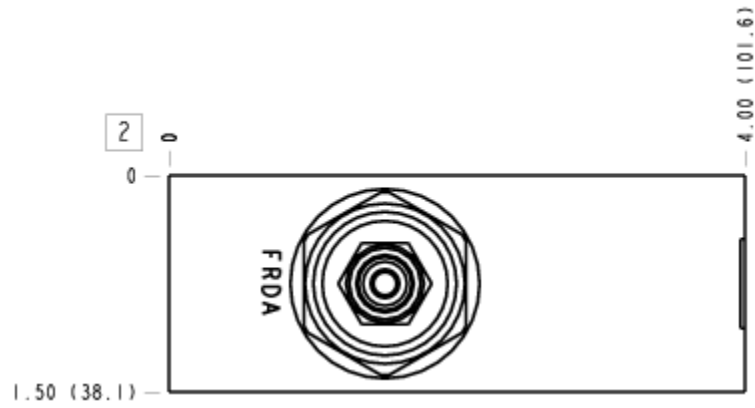
- The sharp-edged orifice design minimizes flow variations due to viscosity changes.
- The tuneable control option provides +/- 25% variation from the nominal factory pre-set flow. Turn the adjustment clockwise to increase.
- Customer must specify a flow rating. Factory set flow ratings are within +/- 10% of the requested setting.
- Back pressure on the tank port (port 2) is directly additive to the valve setting at a 1:1 ratio.
- Both priority and bypass flow are usable up to the system operating pressure.
- Bypass flow is not available until priority flow requirements are satisfied.

# MANIFOLD FACES

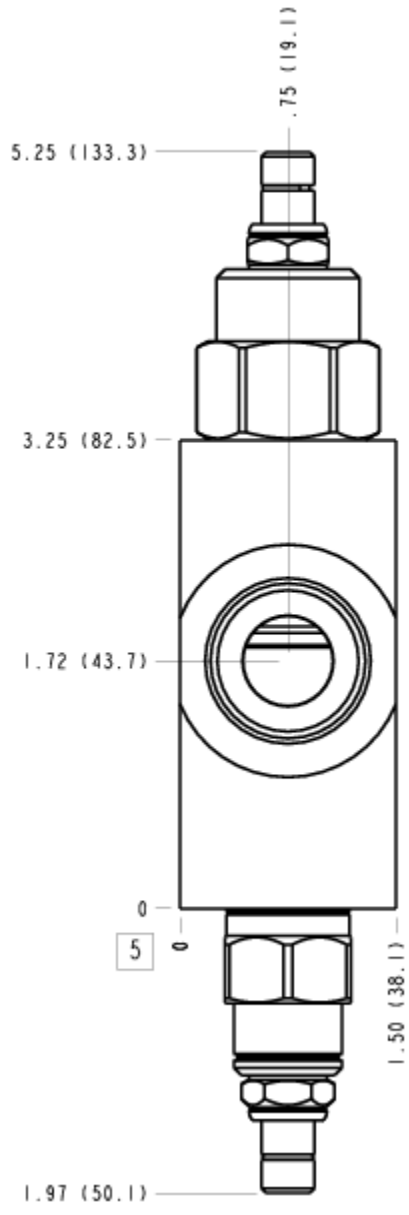
## FACE GRID

1	2	3	4
5	6	7	8
9	10	11	12

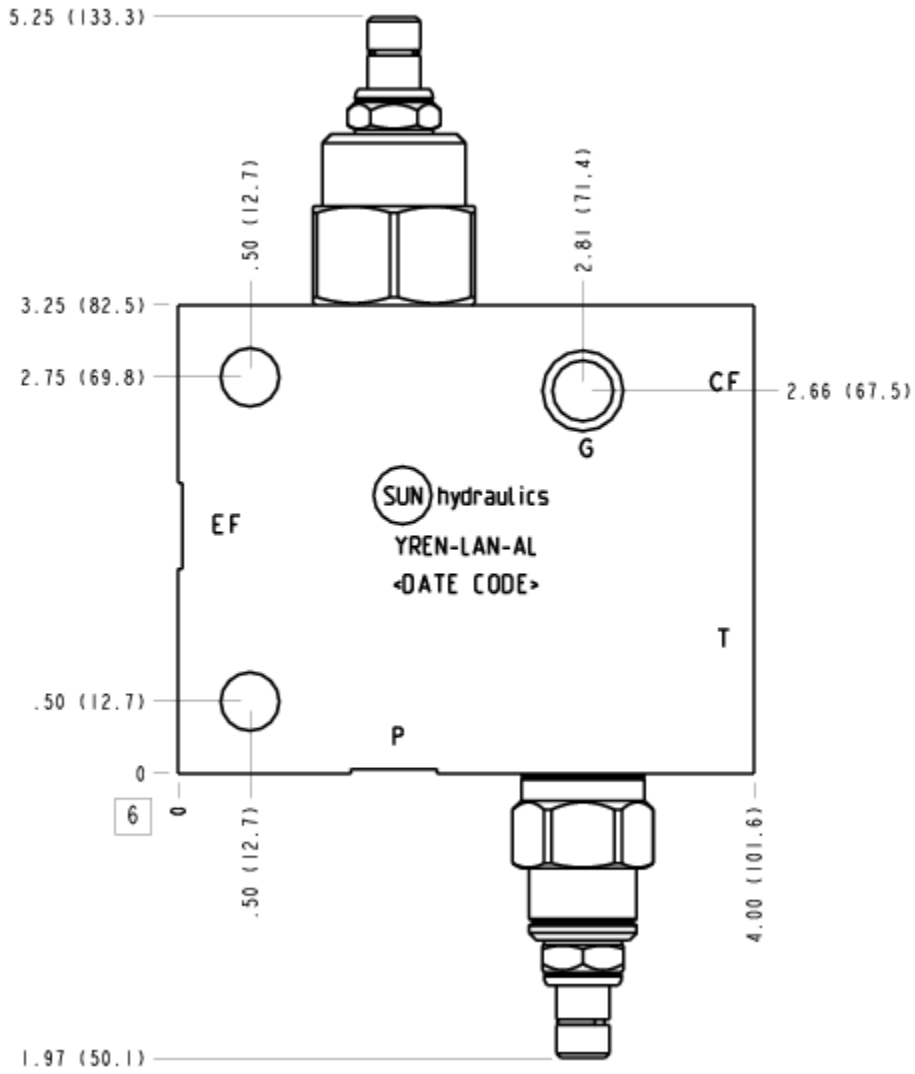
## FACE 2



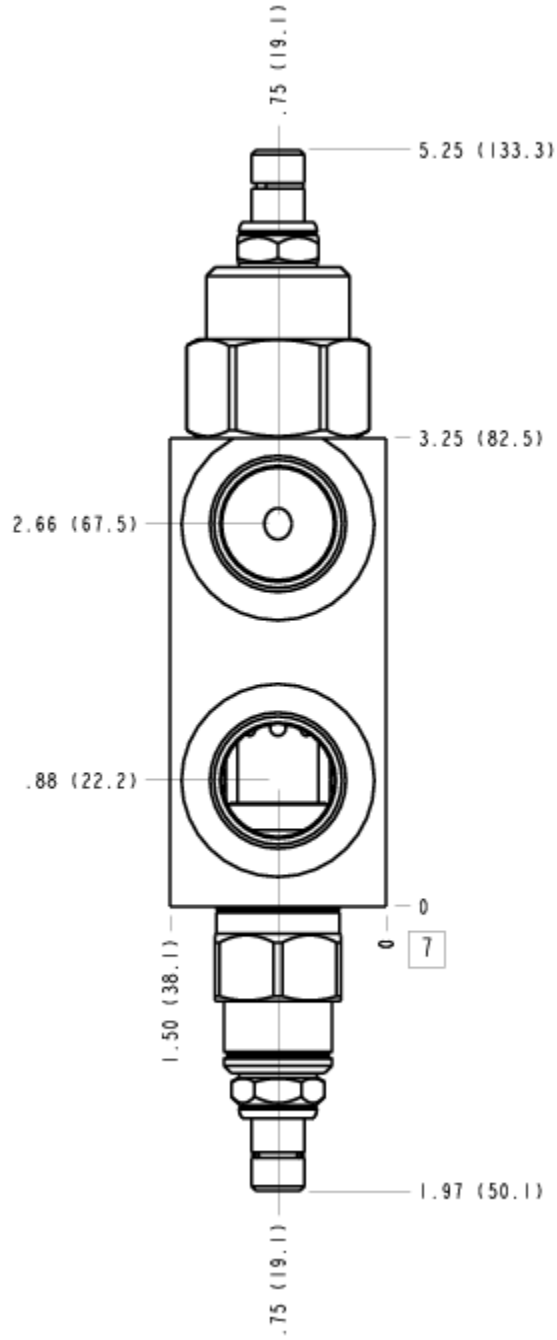
# FACE 5



FACE 6



# FACE 7



FACE 10

