

**TECHNICAL DATA** NOTE: DATA MAY VARY BY CONFIGURATION. SEE CONFIGURATION SECTION.

	120 L/min.
	0 - 12 gpm
	10,4 mm
	Through
	2

**OPTION SELECTION EXAMPLE: YRENLANAL**

(L) (A) (N)

<b>L</b>	<b>A</b> 100 - 3000 psi (7 - 210 bar), 1000 psi (70 bar)	<b>N</b> V
----------	--	---------------

**PRIMARY CARTRIDGE**

(A)

<b>A</b>	A (with RPEC primary cartridge, , )
<b>A</b>	A (with RPEC8 primary cartridge, , T-8A )

**INCLUDED COMPONENTS**

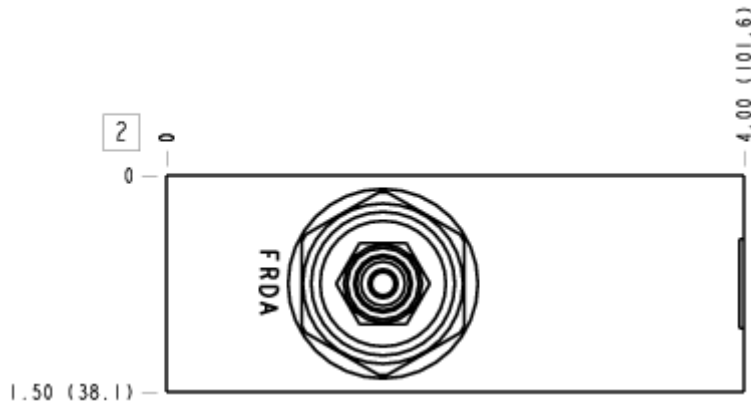
Part	Description	Quantity
FRDALAN	Cartridge	1
RPECLAN	Cartridge - Primary	1

**MANIFOLD FACES**

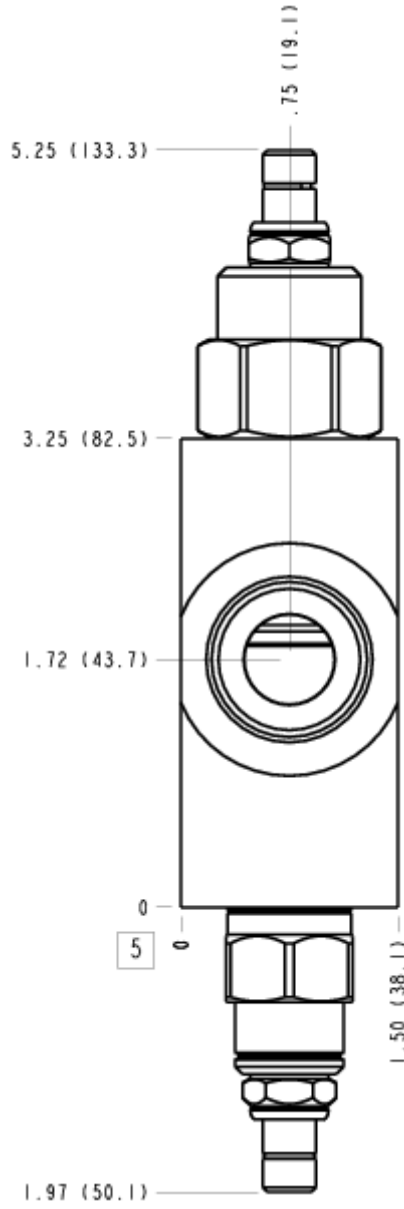
**FACE GRID**

1	2	3	4
5	6	7	8
9	10	11	12

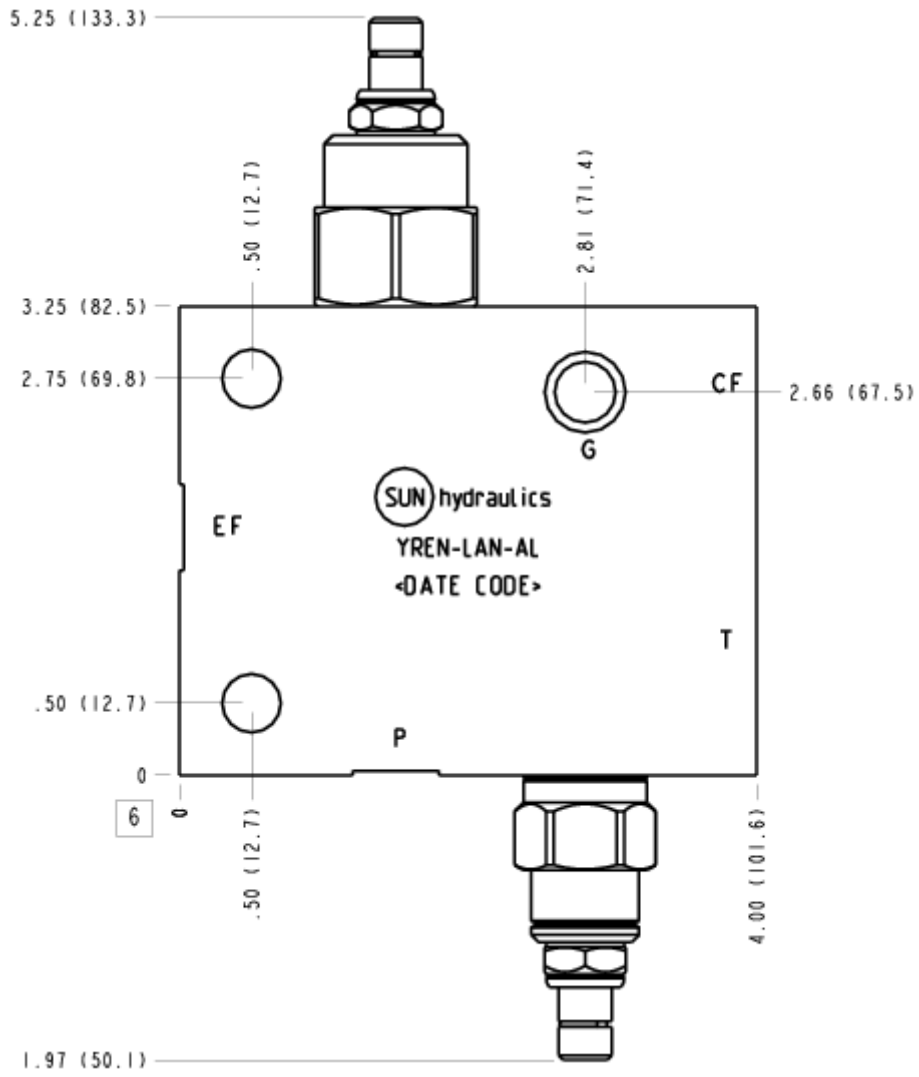
**FACE 2**



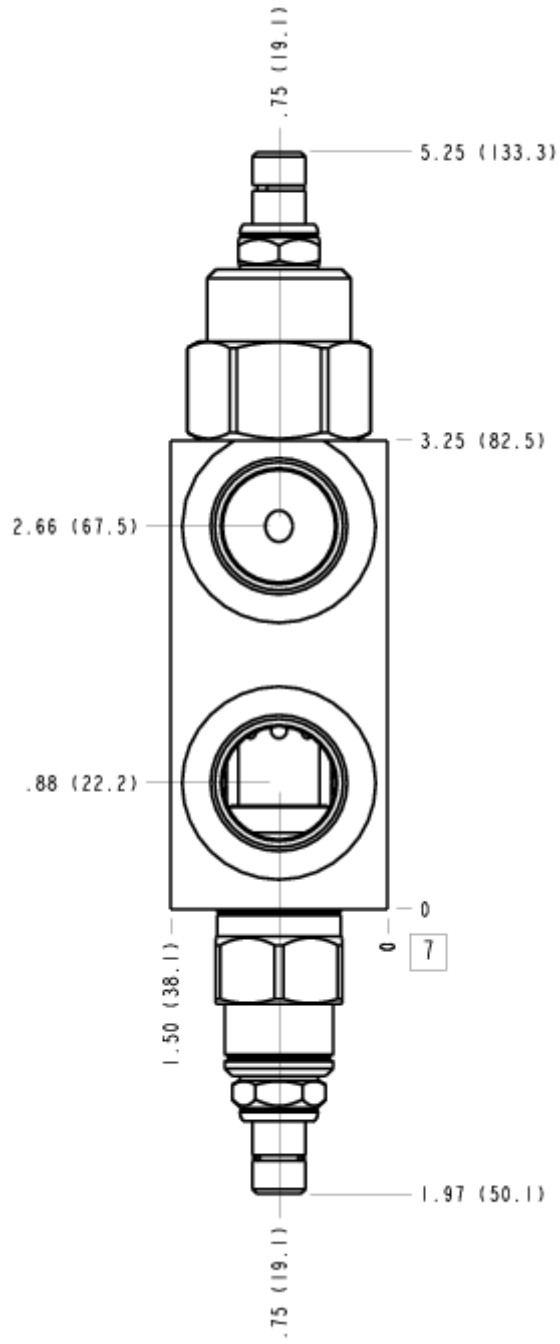
# FACE 5



FACE 6



FACE 7



FACE 10

