

**TECHNICAL DATA** NOTE: DATA MAY VARY BY CONFIGURATION. SEE CONFIGURATION SECTION.

	120 L/min.
	7,1 mm
	2

**OPTION SELECTION EXAMPLE: YREYLANCK**

	(L)	(A)	(N)
<b>L</b>		<b>A</b> 100 - 3000 psi (7 - 210 bar), 1000 psi (70 bar)	<b>N</b>
<b>C</b>	-		<b>V</b>
<b>W</b>		<b>B</b> 50 - 1500 psi (3,5 - 105 bar), 1000 psi (70 bar)	
<b>Y</b>		<b>C</b> 150 - 6000 psi (10,5 - 420 bar), 1000 psi (70 bar)	
		<b>D</b> 25 - 800 psi (1,7 - 55 bar), 400 psi (28 bar)	
		<b>E</b> 25 - 400 psi (1,7 - 28 bar), 200 psi (14 bar)	
		<b>N</b> 60 - 800 psi (4 - 55 bar), 400 psi (28 bar)	
		<b>Q</b> 60 - 400 psi (4 - 28 bar), 200 psi (14 bar)	
		<b>W</b> 150 - 4500 psi (10,5 - 315 bar), 1000 psi (70 bar)	

**PRIMARY CARTRIDGE**

(C)

<b>C</b>	30 psi (2 bar) (with RVEA primary cartridge, , pilot-operated, )
<b>A</b>	4 psi (0,3 bar) (with RVEA primary cartridge, , pilot-operated, )
<b>B</b>	15 psi (1 bar) (with RVEA primary cartridge, , pilot-operated, )
<b>D</b>	50 psi (3,5 bar) (with RVEA primary cartridge, , pilot-operated, )
<b>E</b>	75 psi (5 bar) (with RVEA primary cartridge, , pilot-operated, )
<b>F</b>	100 psi (7 bar) (with RVEA primary cartridge, , pilot-operated, )
<b>Z</b>	1 psi (0,07 bar) (with RVEA primary cartridge, , pilot-operated, )

**INCLUDED COMPONENTS**

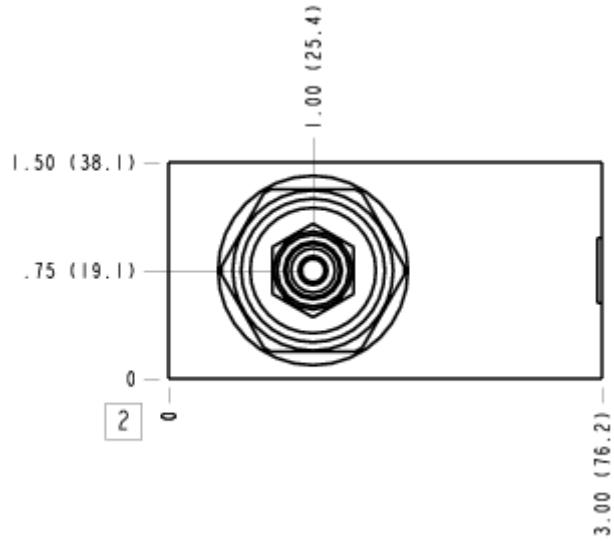
Part	Description	Quantity
CXFAXCN	Cartridge	1
RVEALAN	Cartridge - Primary	1

**MANIFOLD FACES**

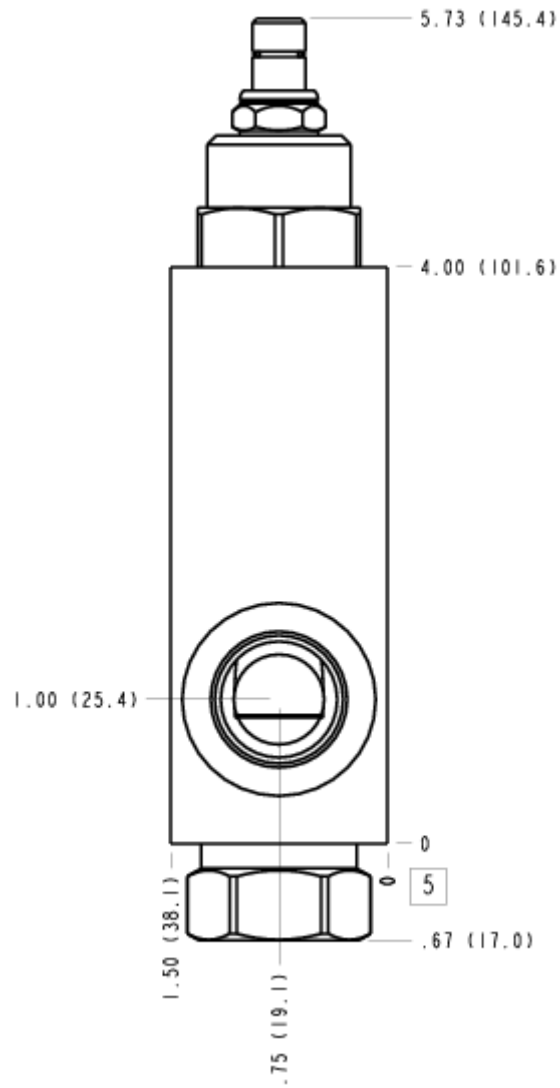
**FACE GRID**

1	2	3	4
5	6	7	8
9	10	11	12

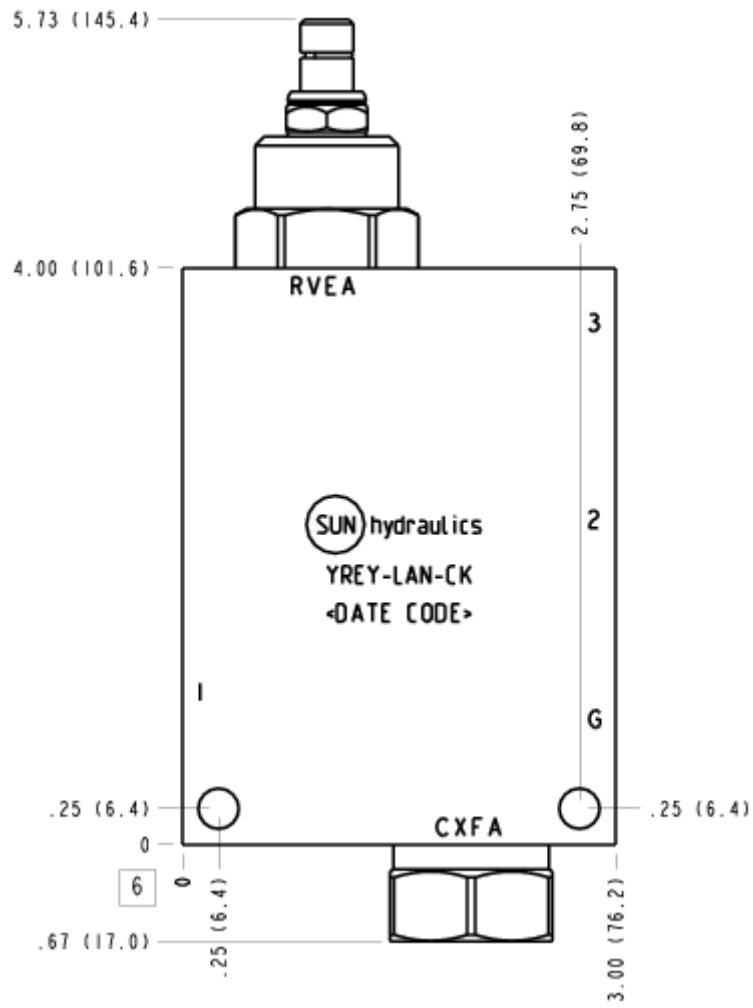
### FACE 2



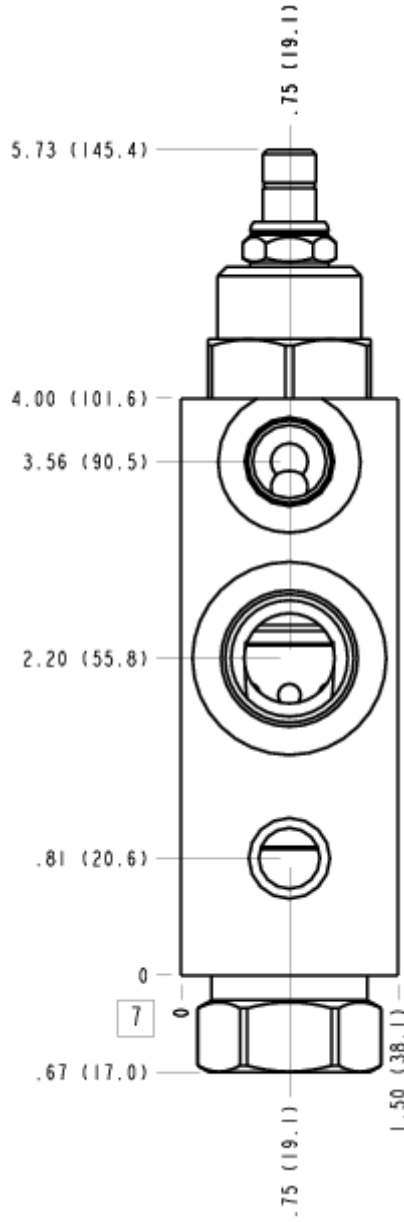
### FACE 5



FACE 6



# FACE 7



FACE 10

