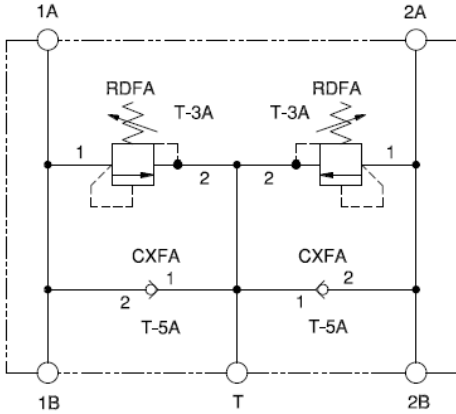




This assembly provides cross-port relief and anti-cavitation protection between ports 1 and 2.

TECHNICAL DATA

| | |
|------------------------|---------|
| Mounting Hole Diameter | .34 in. |
| Mounting Hole Depth | Through |
| Mounting Hole Quantity | 2 |



CONFIGURATION

NOTES:

| | |
|--------------------------------|--|
| L Control | Standard Screw Adjustment |
| A Adjustment Range | 500 - 3000 psi (35 - 210 bar), 1000 psi (70 bar) Standard Setting |
| N Seal Material | Buna-N |
| Range Letter(s) of | 30 psi (2 bar) (with RDFA) |
| C Subordinate Cartridge | primary cartridge, Direct-acting relief valve) |

- **Important:** Carefully consider the maximum system pressure. The pressure rating of the manifold is dependent on the manifold material, with the port type/size a secondary consideration. Manifolds constructed of aluminum are not rated for pressures higher than 3000 psi (210 bar), regardless of the port type/size specified.
- For detailed information regarding the cartridges contained in this assembly, click on the models codes shown in the Included Components tab.

CONFIGURATION OPTIONS

Model Code Example: **YRFMLANC**

| CONTROL | (L) | ADJUSTMENT RANGE | (A) | SEAL MATERIAL | (N) |
|----------|--------------------------------|------------------|--|---------------|--------|
| L | Standard Screw Adjustment | A | 500 - 3000 psi (35 - 210 bar), 1000 psi (70 bar) Standard Setting | N | Buna-N |
| C | Tamper Resistant - Factory Set | C | 1000 - 6000 psi (70 - 420 bar), 1000 psi (70 bar) Standard Setting | V | Viton |
| K | Handknob | D | 200 - 800 psi (14 - 55 bar), 400 psi (28 bar) Standard Setting | | |
| | | E | 100 - 400 psi (7 - 28 bar), 200 psi (14 bar) Standard Setting | | |
| | | S | 50 - 200 psi (3,5 - 14 bar), 100 psi (7 bar) Standard Setting | | |
| | | W | 800 - 4500 psi (55 - 315 bar), 1000 psi (70 bar) Standard Setting | | |

PRIMARY CARTRIDGE

(C)

| | |
|----------|--|
| C | 30 psi (2 bar) (with RDFA primary cartridge, Direct-acting relief valve) |
| A | 4 psi (0,3 bar) (with RDFA primary cartridge, Direct-acting relief valve) |
| B | 15 psi (1 bar) (with RDFA primary cartridge, Direct-acting relief valve) |
| D | 50 psi (3,5 bar) (with RDFA primary cartridge, Direct-acting relief valve) |
| E | 75 psi (5 bar) (with RDFA primary cartridge, Direct-acting relief valve) |
| F | 100 psi (7 bar) (with RDFA primary cartridge, Direct-acting relief valve) |
| Z | 1 psi (0,07 bar) (with RDFA primary cartridge, Direct-acting relief valve) |
| Z | 1 psi (0,07 bar) (with RDFA3 primary cartridge, Non-adjustable direct-acting relief valve) |
| F | 100 psi (7 bar) (with RDFA3 primary cartridge, Non-adjustable direct-acting relief valve) |
| E | 75 psi (5 bar) (with RDFA3 primary cartridge, Non-adjustable direct-acting relief valve) |
| D | 50 psi (3,5 bar) (with RDFA3 primary cartridge, Non-adjustable direct-acting relief valve) |
| C | 30 psi (2 bar) (with RDFA3 primary cartridge, Non-adjustable direct-acting relief valve) |
| B | 15 psi (1 bar) (with RDFA3 primary cartridge, Non-adjustable direct-acting relief valve) |
| A | 4 psi (0,3 bar) (with RDFA3 primary cartridge, Non-adjustable direct-acting relief valve) |