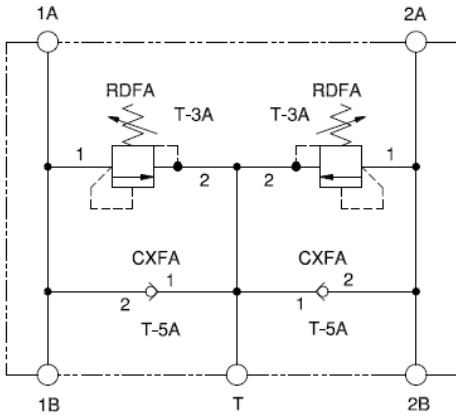




This assembly provides cross-port relief and anti-cavitation protection between ports 1 and 2.

TECHNICAL DATA NOTE: DATA MAY VARY BY CONFIGURATION. SEE CONFIGURATION SECTION.

Mounting Hole Diameter	.34 in.
Mounting Hole Depth	Through
Mounting Hole Quantity	2



- NOTES:**
- **Important:** Carefully consider the maximum system pressure. The pressure rating of the manifold is dependent on the manifold material, with the port type/size a secondary consideration. Manifolds constructed of aluminum are not rated for pressures higher than 3000 psi (210 bar), regardless of the port type/size specified.
 - For detailed information regarding the cartridges contained in this assembly, click on the models codes shown in the Included Components tab.

CONFIGURATION OPTIONS

Model Code Example: YRFMLANCJ

CONTROL	(L) ADJUSTMENT RANGE	(A) SEAL MATERIAL	(N)
L Standard Screw Adjustment	A 500 - 3000 psi (35 - 210 bar), 1000 psi (70 bar) Standard Setting	N Buna-N	
C Tamper Resistant - Factory Set	W 800 - 4500 psi (55 - 315 bar), 1000 psi (70 bar) Standard Setting	V Viton	

PRIMARY CARTRIDGE

(C)

C 30 psi (2 bar) (with RDFA primary cartridge, Direct-acting relief valve)
A 4 psi (0,3 bar) (with RDFA primary cartridge, Direct-acting relief valve)
B 15 psi (1 bar) (with RDFA primary cartridge, Direct-acting relief valve)
D 50 psi (3,5 bar) (with RDFA primary cartridge, Direct-acting relief valve)
E 75 psi (5 bar) (with RDFA primary cartridge, Direct-acting relief valve)
F 100 psi (7 bar) (with RDFA primary cartridge, Direct-acting relief valve)
Z 1 psi (0,07 bar) (with RDFA primary cartridge, Direct-acting relief valve)
Z 1 psi (0,07 bar) (with RDFA3 primary cartridge, Non-adjustable direct-acting relief valve)
F 100 psi (7 bar) (with RDFA3 primary cartridge, Non-adjustable direct-acting relief valve)
E 75 psi (5 bar) (with RDFA3 primary cartridge, Non-adjustable direct-acting relief valve)
D 50 psi (3,5 bar) (with RDFA3 primary cartridge, Non-adjustable direct-acting relief valve)
C 30 psi (2 bar) (with RDFA3 primary cartridge, Non-adjustable direct-acting relief valve)
B 15 psi (1 bar) (with RDFA3 primary cartridge, Non-adjustable direct-acting relief valve)
A 4 psi (0,3 bar) (with RDFA3 primary cartridge, Non-adjustable direct-acting relief valve)

INCLUDED COMPONENTS

Part	Description	Quantity
CXFAXCN	Cartridge	2
RDFALAN	Cartridge - Primary	2