

TECHNICAL DATA

Body Type	Motor mount
Interface	Staffa B150/B200
Capacity	200 L/min.

OPTION SELECTION EXAMPLE: YRFNLANAM

CONTROL		(L) ADJUSTMENT RANGE	(A) SEAL MATERIAL	(N)	
L	Standard Screw Adjustment	A	500 - 3000 psi (35 - 210 bar), 1000 psi (70 bar) Standard Setting	N	Buna-N
C	Tamper Resistant - Factory Set	W	800 - 4500 psi (55 - 315 bar), 1000 psi (70 bar) Standard Setting	V	Viton

PRIMARY CARTRIDGE (A)

A	A (with RDFA primary cartridge, Acción-directa alivio válvula)
A	A (with RDFA3 primary cartridge, No-ajustable acción-directa alivio válvula)

INCLUDED COMPONENTS

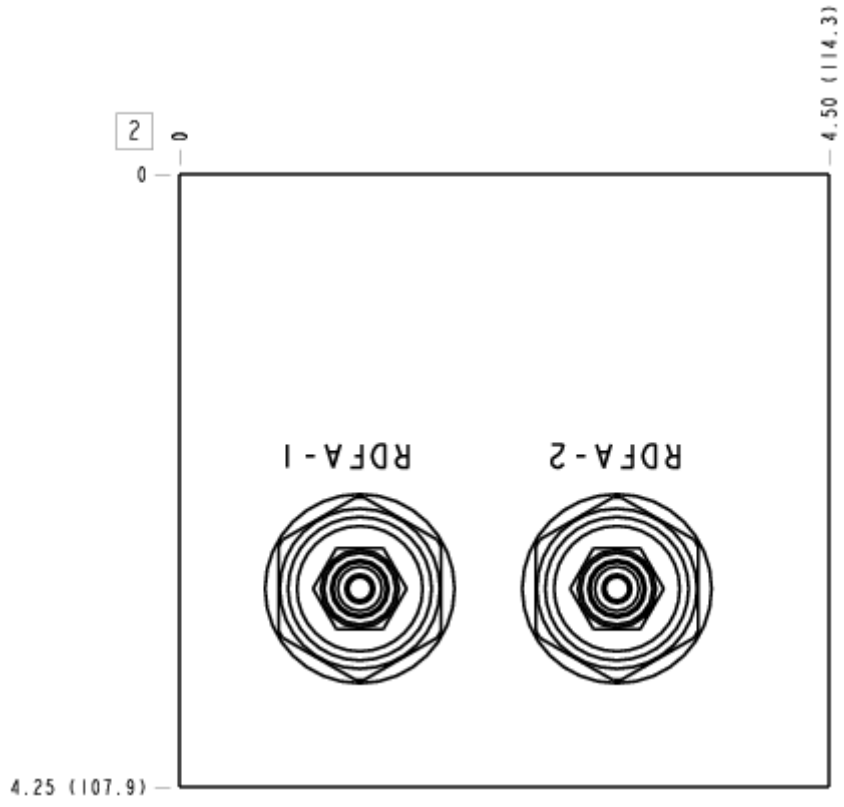
Part	Description	Quantity
CXFBXAN	Cartridge	2
RDFALAN	Cartridge - Primary	2

MANIFOLD FACES

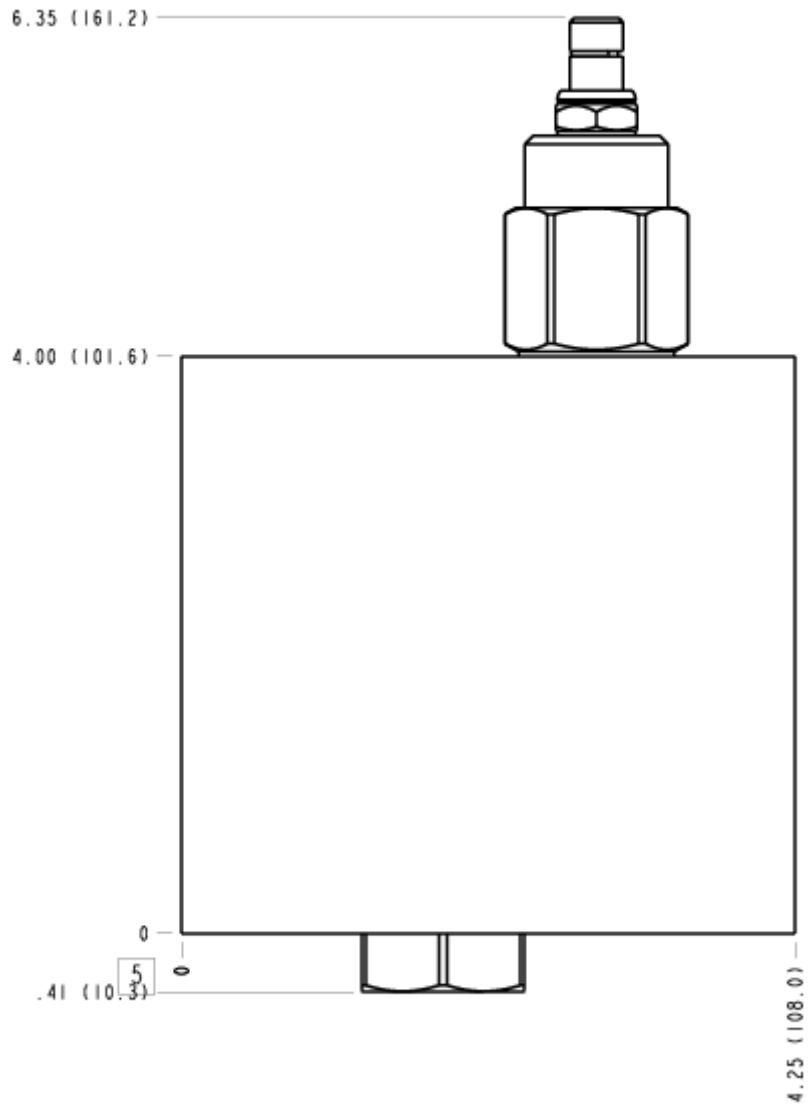
FACE GRID

1	2	3	4
5	6	7	8
9	10	11	12

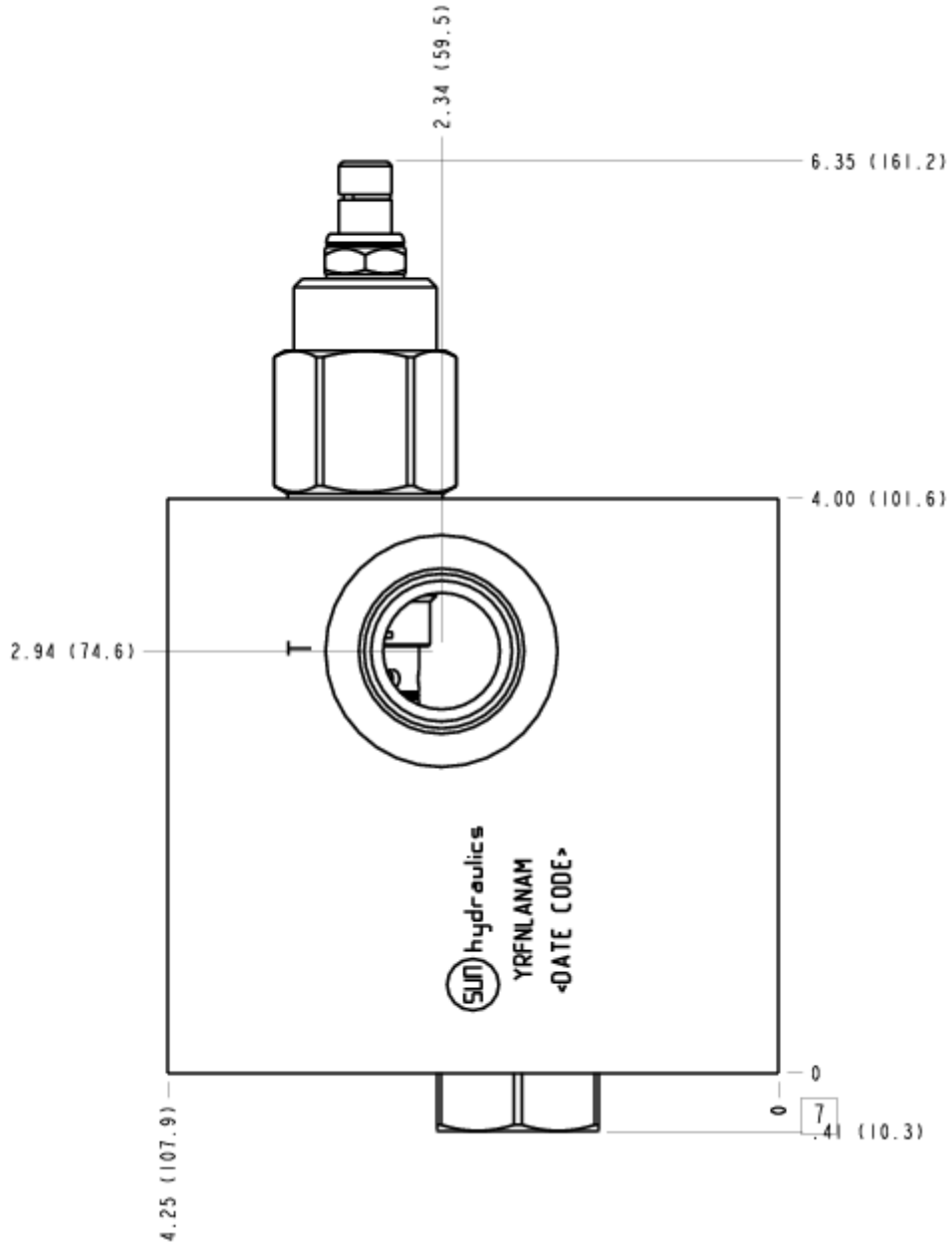
FACE 2



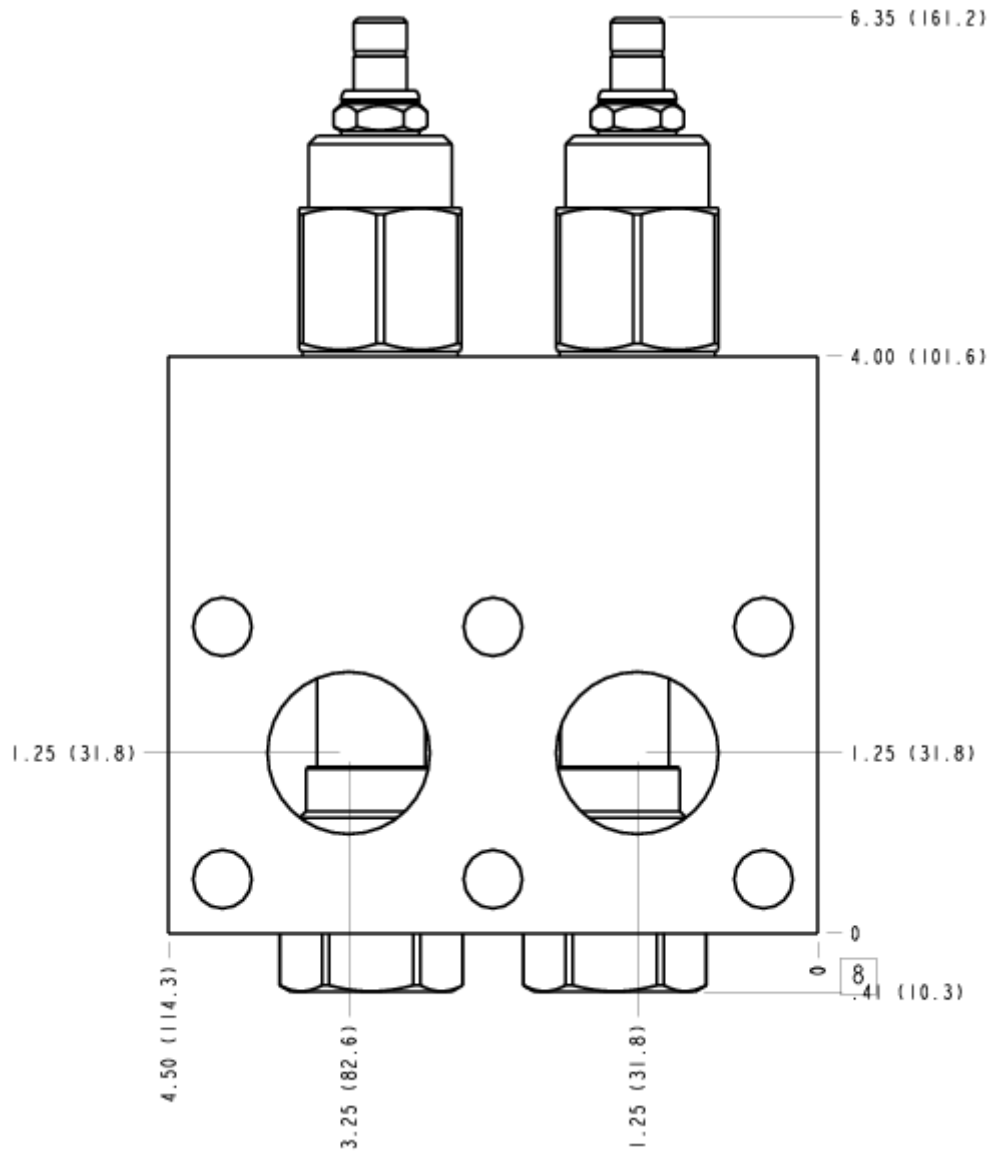
FACE 5



FACE 7



FACE 8



FACE 10

