

TECHNICAL DATA

Body Type	Motor mount
Interface	Eaton/Char-Lynn 10000
Capacity	200 L/min.

OPTION SELECTION EXAMPLE: YRGDLANAQ

CONTROL	(L) ADJUSTMENT RANGE	(A) SEAL MATERIAL	(N)
L Standard Screw Adjustment	A 100 - 3000 psi (7 - 210 bar), 1000 psi (70 bar) Standard Setting	N Buna-N	
C Tamper Resistant - Factory Set	B 50 - 1500 psi (3,5 - 105 bar), 1000 psi (70 bar) Standard Setting	V Viton	
F Hex Head Screw with Locknut	C 150 - 6000 psi (10,5 - 420 bar), 1000 psi (70 bar) Standard Setting		
W Hex Wrench Adjustment	D 25 - 800 psi (1,7 - 55 bar), 400 psi (28 bar) Standard Setting		
Y manilla de tres agarres	E 25 - 400 psi (1,7 - 28 bar), 200 psi (14 bar) Standard Setting		
	N 60 - 800 psi (4 - 55 bar), 400 psi (28 bar) Standard Setting		
	Q 60 - 400 psi (4 - 28 bar), 200 psi (14 bar) Standard Setting		
	W 150 - 4500 psi (10,5 - 315 bar), 1000 psi (70 bar) Standard Setting		

PRIMARY CARTRIDGE (A)

A	A (with RPGC primary cartridge, Pilot-operated, pistón balanceado alivio válvula)
A	A (with RPGC3 primary cartridge, No-ajustable pilot-operated, pistón balanceado alivio válvula)
A	A (with RPGC8 primary cartridge, Pilot-operated, pistón balanceado alivio módulo principal con cavidad de control T-8A integral)

INCLUDED COMPONENTS

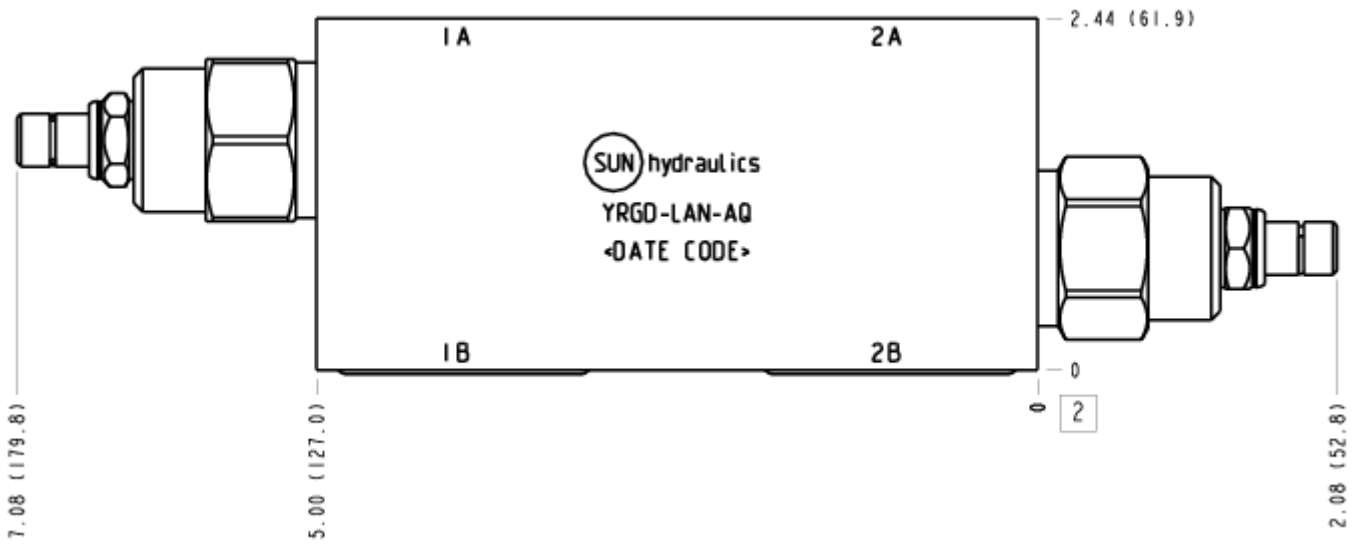
Part	Description	Quantity
500-001-222*	O-Ring	2
RPGCLAN	Cartridge - Primary	2

MANIFOLD FACES

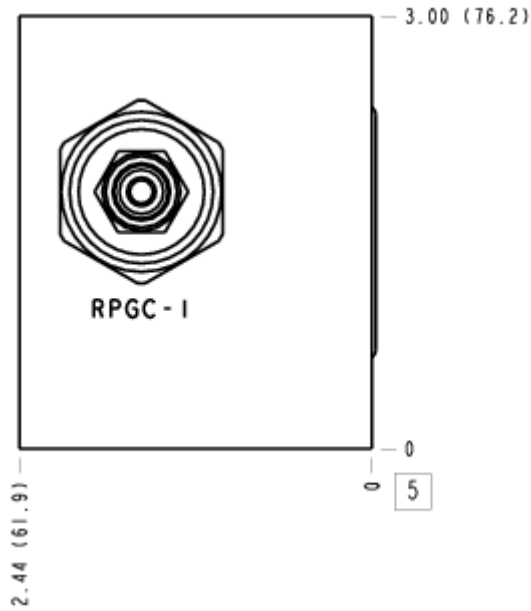
FACE GRID

1	2	3	4
5	6	7	8

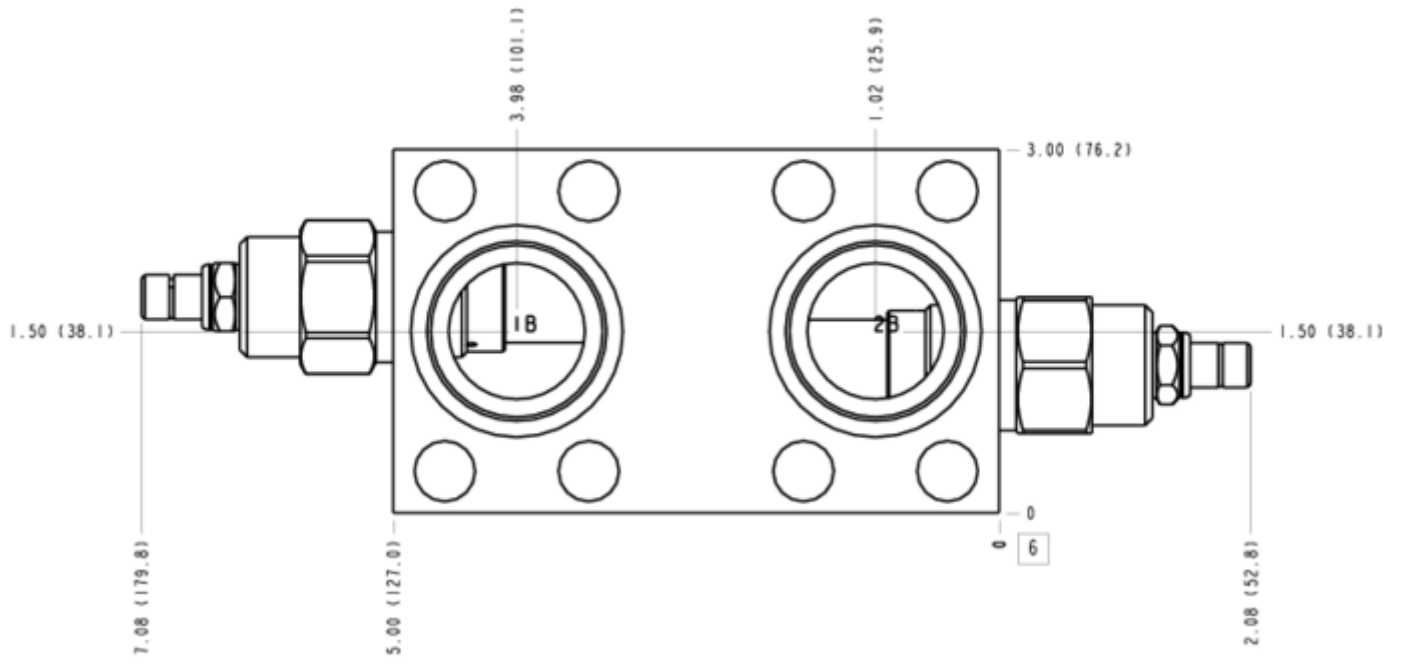
FACE 2



FACE 5



FACE 6



FACE 7

