

TECHNICAL DATA NOTE: DATA MAY VARY BY CONFIGURATION. SEE CONFIGURATION SECTION.

	Eaton/Char-Lynn 10000
	200 L/min.

OPTION SELECTION EXAMPLE: YRGDLANAQ

(L)	(A)	(N)
L	A 100 - 3000 psi (7 - 210 bar), 1000 psi (70 bar)	N
C		V
F	B 50 - 1500 psi (3,5 - 105 bar), 1000 psi (70 bar)	
W	C 150 - 6000 psi (10,5 - 420 bar), 1000 psi (70 bar)	
Y	D 25 - 800 psi (1,7 - 55 bar), 400 psi (28 bar)	
	E 25 - 400 psi (1,7 - 28 bar), 200 psi (14 bar)	
	N 60 - 800 psi (4 - 55 bar), 400 psi (28 bar)	
	Q 60 - 400 psi (4 - 28 bar), 200 psi (14 bar)	
	W 150 - 4500 psi (10,5 - 315 bar), 1000 psi (70 bar)	

PRIMARY CARTRIDGE

(A)

A	A (with RPGC primary cartridge, Pilot-operated,)
A	A (with RPGC3 primary cartridge, pilot-operated,)
A	A (with RPGC8 primary cartridge, Pilot-operated, T-8A)

INCLUDED COMPONENTS

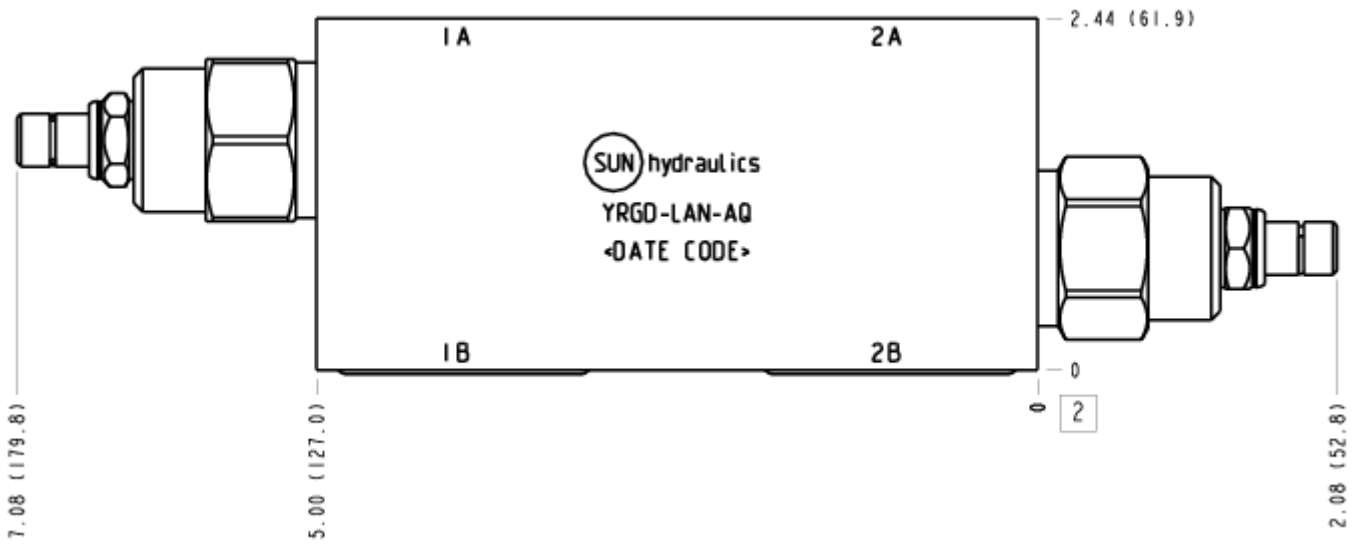
Part	Description	Quantity
500-001-222*	O-Ring	2
RPGCLAN	Cartridge - Primary	2

MANIFOLD FACES

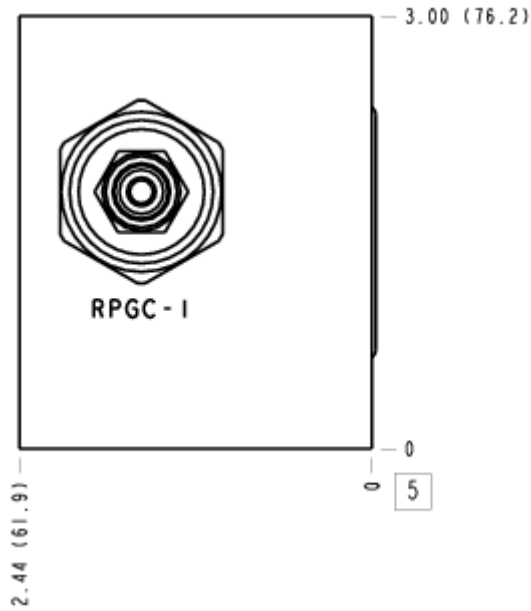
FACE GRID

1	2	3	4
5	6	7	8

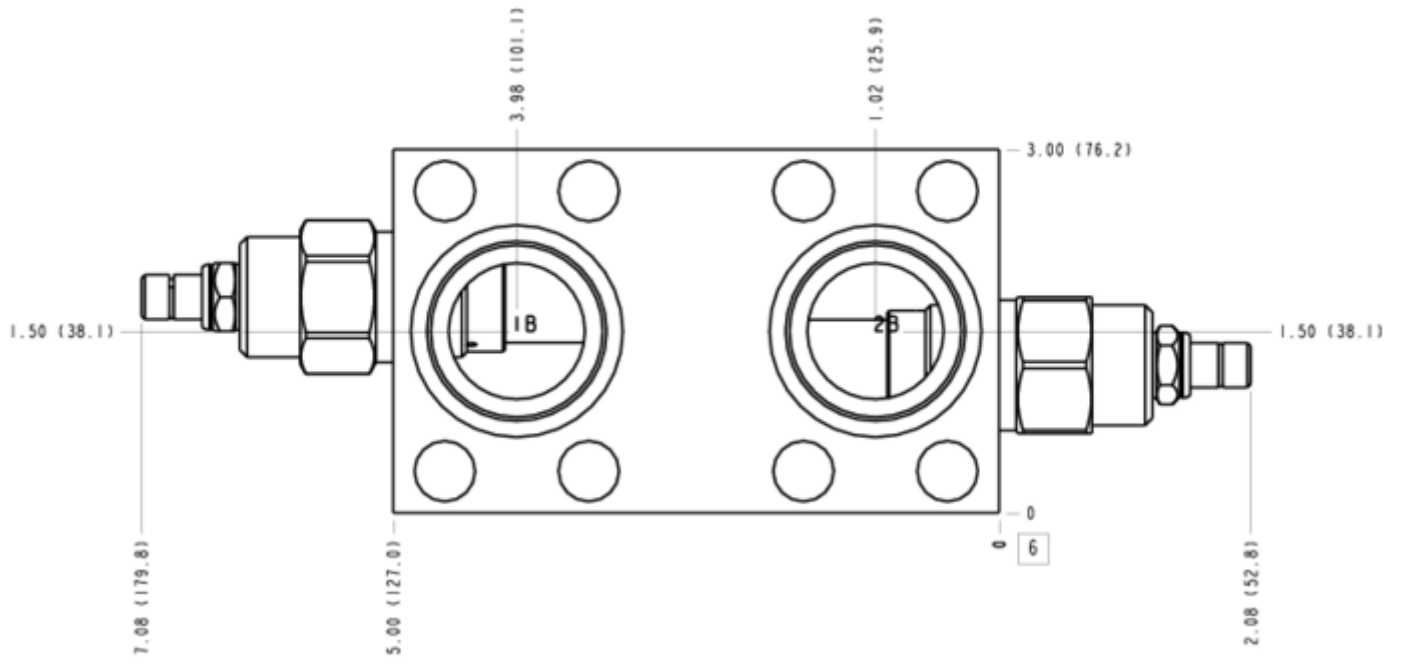
FACE 2



FACE 5



FACE 6



FACE 7

