

TECHNICAL DATA NOTE: DATA MAY VARY BY CONFIGURATION. SEE CONFIGURATION SECTION.

	240 L/min.
	2

OPTION SELECTION EXAMPLE: YRGJLANAE

(L) (A) (N)

L	A	100 - 3000 psi (7 - 210 bar), 1000 psi (70 bar)	N
	S	25 - 200 psi (1,7 - 14 bar), 100 psi (7 bar)	V

PRIMARY CARTRIDGE

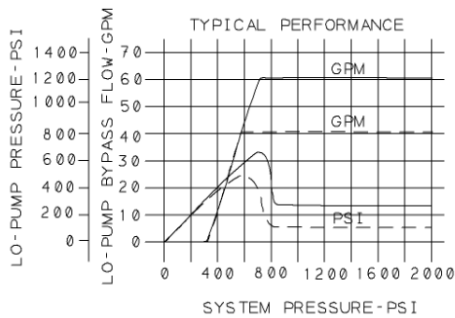
(A)

A	A (with RPGC primary cartridge, ,)		
A	A (with RPGC3 primary cartridge, ,)		
A	A (with RPGC8 primary cartridge, , T-8A)		

INCLUDED COMPONENTS

Part	Description	Quantity
CBGALIN	Cartridge	1
CXHAXCN	Cartridge	1
RPGCLAN	Cartridge - Primary	1

PERFORMANCE CURVES

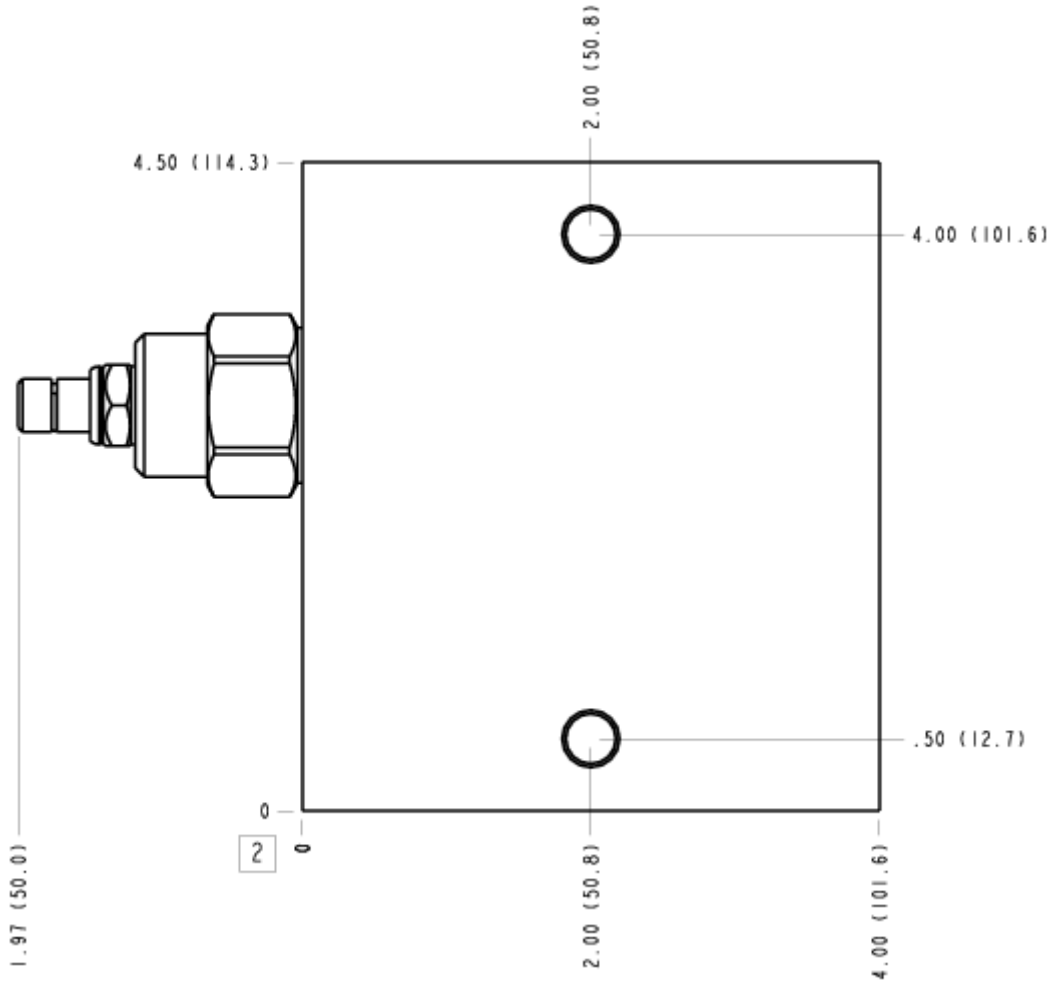


MANIFOLD FACES

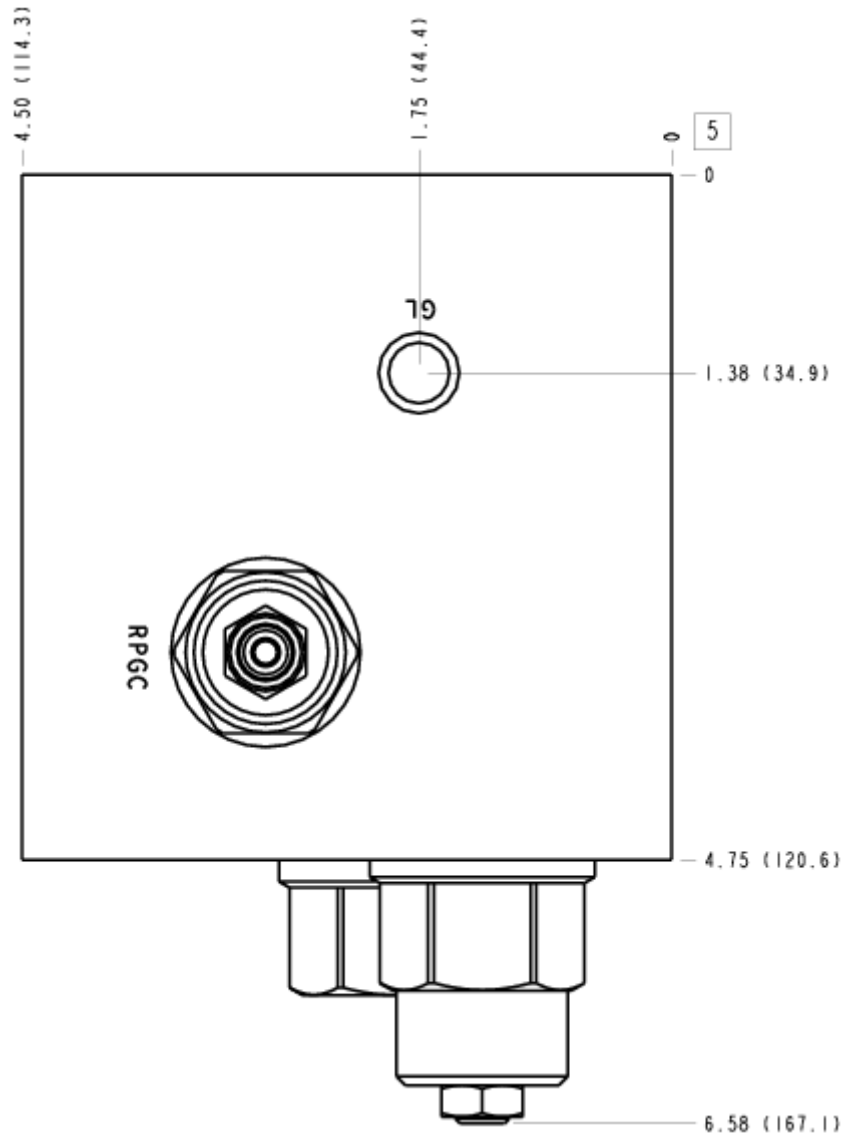
FACE GRID

1	2	3	4
5	6	7	8
9	10	11	12

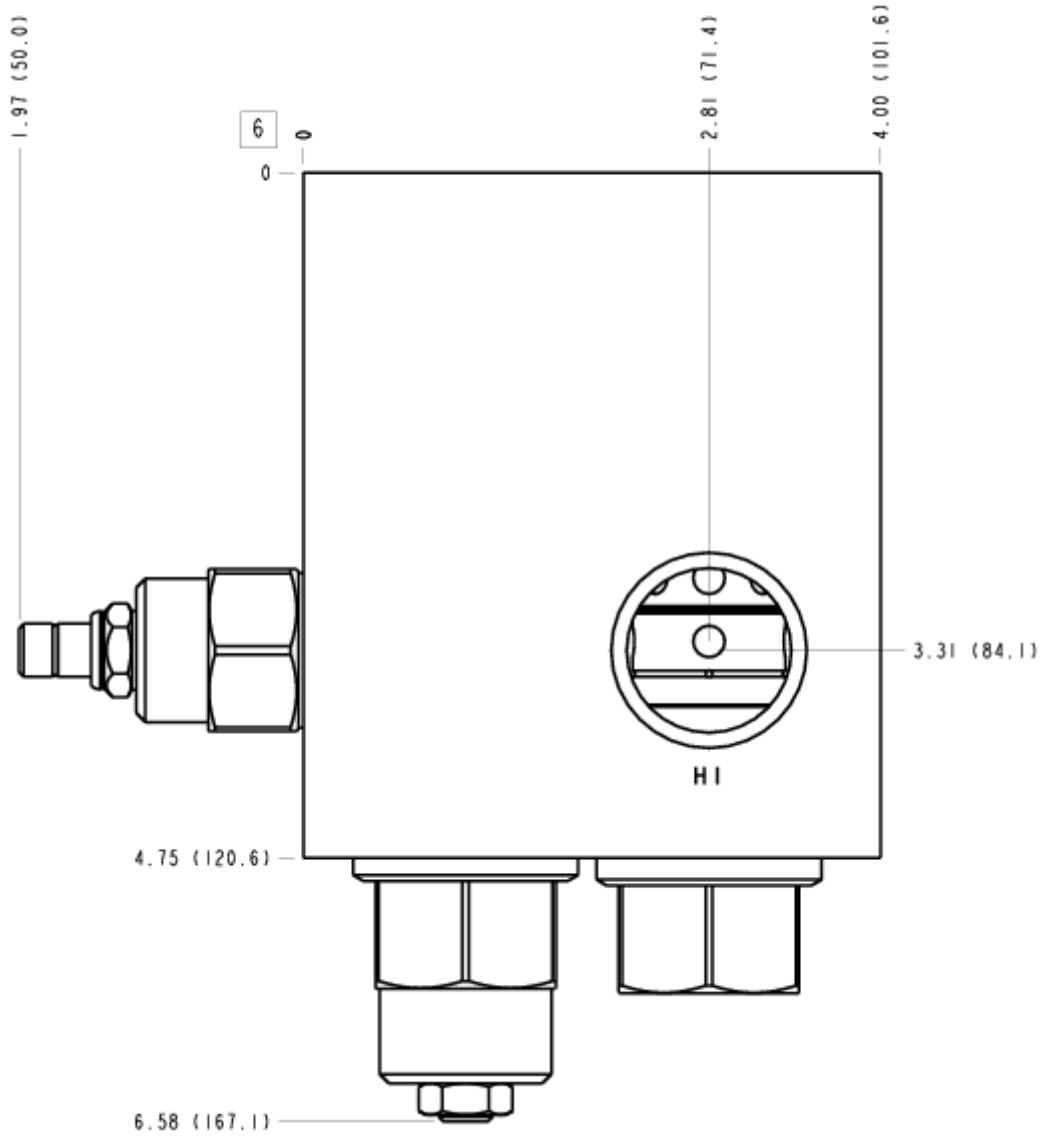
FACE 2



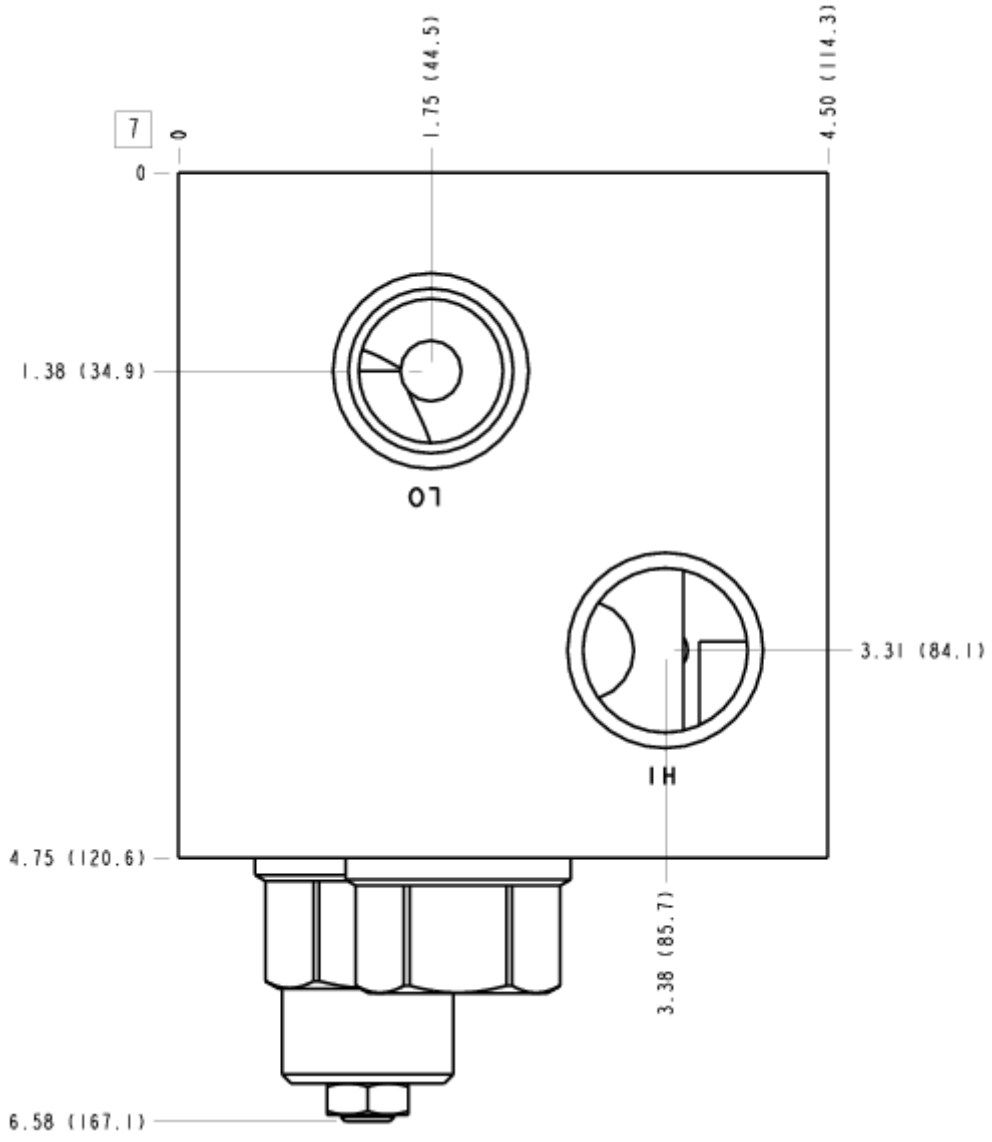
FACE 5



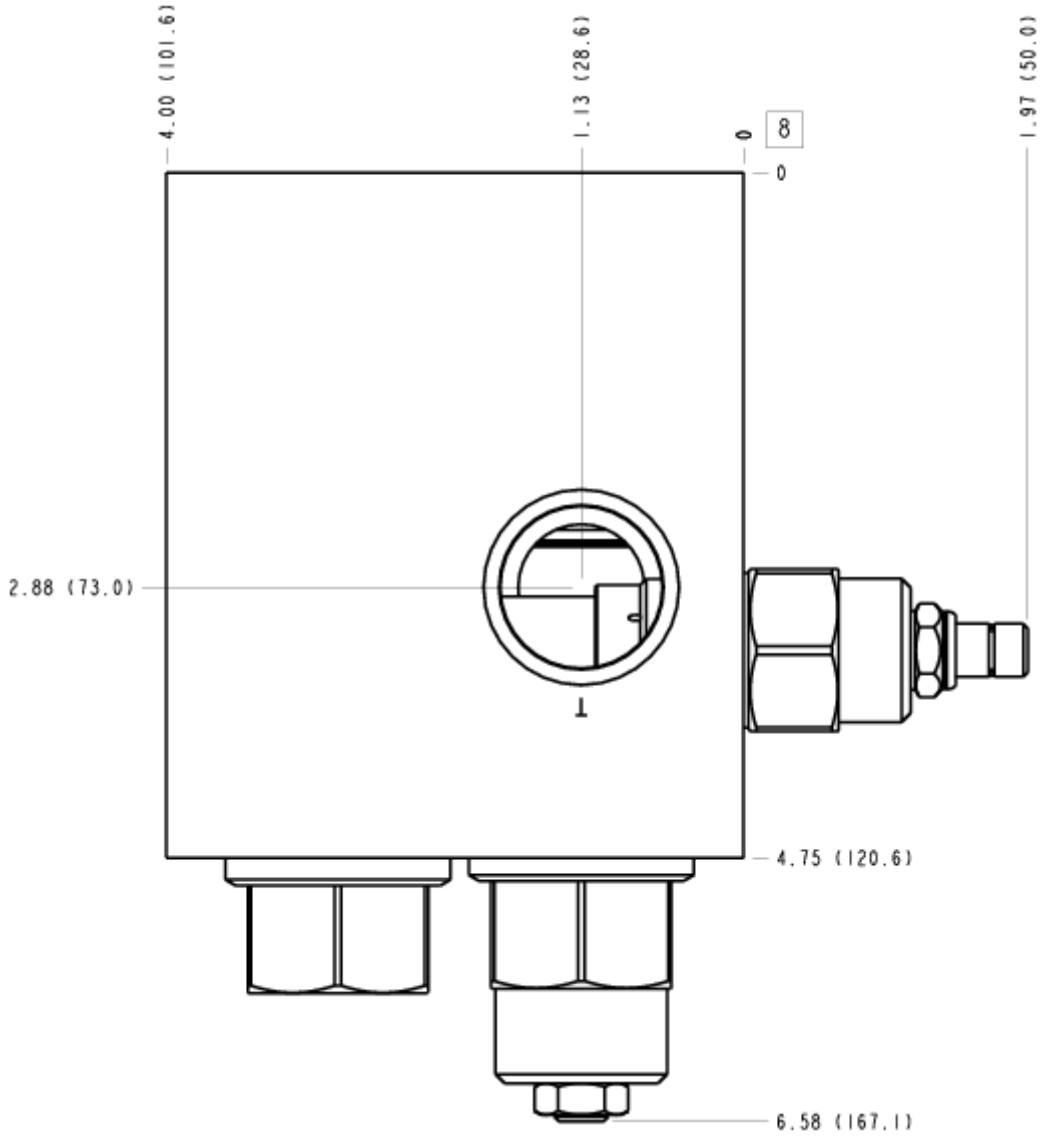
FACE 6



FACE 7



FACE 8



FACE 10

