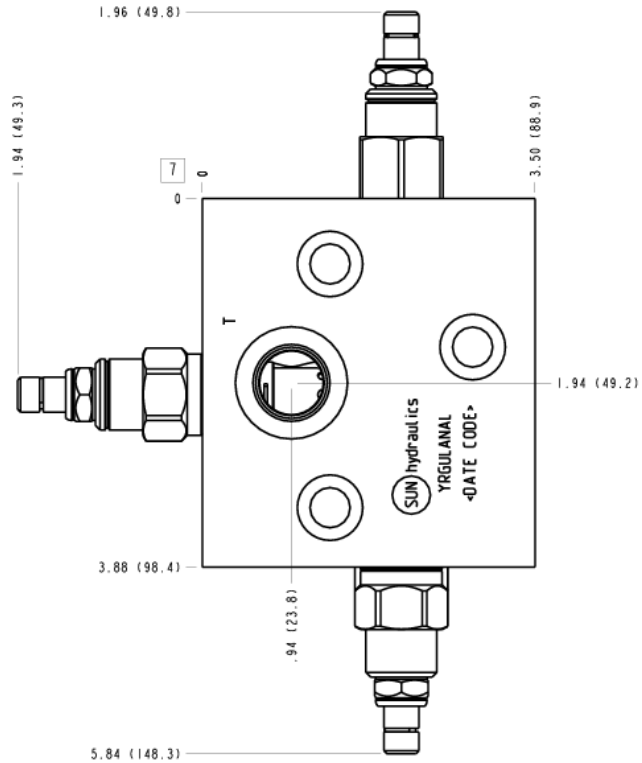


## CONFIGURATION

<b>L</b> Control	Standard Screw Adjustment
<b>A</b> Adjustment Range	500 - 3000 psi (35 - 210 bar), 1000 psi (70 bar) Standard Setting
<b>N</b> Seal Material	Buna-N
<b>A</b> Primary Cartridge	A (with RDA primary cartridge, Direct-acting relief valve)
<b>L</b> Port and Material Designation	Ports 1 & 2 — SAE 12; Port T — SAE 8; Aluminum



This valve assembly provides high pressure cross-port relief protection and a flushing circuit for hydrostatic transmissions. The hot oil flushing circuit allows a discharge of oil from the low pressure side of the loop. The charge pump replaces the hot, dirty oil with cool, filtered oil. The hot oil discharge is often passed through the cases of the pump and the motor, flushing hot, dirty oil from them as well.

## TECHNICAL DATA

Body Type	Motor mount
Interface	Eaton/Char-Lynn 2000

- NOTES:**
- **Important:** Carefully consider the maximum system pressure. The pressure rating of the manifold is dependent on the manifold material, with the port type/size a secondary consideration. Manifolds constructed of aluminum are not rated for pressures higher than 3000 psi (210 bar), regardless of the port type/size specified.
  - For detailed information regarding the cartridges contained in this assembly, click on the models codes shown in the Included Components tab.

**CONFIGURATION OPTIONS**

**Model Code Example: YRGULANAL**

CONTROL		(L) ADJUSTMENT RANGE	(A) SEAL MATERIAL	(N)	
<b>L</b>	Standard Screw Adjustment	<b>A</b>	500 - 3000 psi (35 - 210 bar), 1000 psi (70 bar) Standard Setting	<b>N</b>	Buna-N
<b>C</b>	Tamper Resistant - Factory Set	<b>C</b>	1000 - 6000 psi (70 - 420 bar), 1000 psi (70 bar) Standard Setting	<b>V</b>	Viton
<b>K</b>	Handknob	<b>D</b>	200 - 800 psi (14 - 55 bar), 400 psi (28 bar) Standard Setting		
<b>W</b>	Hex Wrench Adjustment	<b>E</b>	100 - 400 psi (7 - 28 bar), 200 psi (14 bar) Standard Setting		
<b>Y</b>	Tri-Grip Handknob	<b>S</b>	50 - 200 psi (3,5 - 14 bar), 100 psi (7 bar) Standard Setting		
		<b>W</b>	800 - 4500 psi (55 - 315 bar), 1000 psi (70 bar) Standard Setting		

**PRIMARY CARTRIDGE**

(A)

<b>A</b>	A (with RDDA primary cartridge, Direct-acting relief valve)
<b>A</b>	A (with RDDA3 primary cartridge, Non-adjustable direct-acting relief valve)

**INCLUDED COMPONENTS**

Part	Description	Quantity
500-001-117*	O-Ring	2
DSCHXHN	Cartridge	1
RDDALAN	Cartridge - Primary	2
RPECLNN	Cartridge	1