

**TECHNICAL DATA** NOTE: DATA MAY VARY BY CONFIGURATION. SEE CONFIGURATION SECTION.

Body Type	montaje directo a motores
Interface	Eaton/Char-Lynn 2000
Capacity	40 L/min.

### OPTION SELECTION EXAMPLE: YRGULANAL

CONTROL	(L) ADJUSTMENT RANGE	(A) SEAL MATERIAL	(N)
<b>L</b> Standard Screw Adjustment	<b>A</b> 500 - 3000 psi (35 - 210 bar), 1000 psi (70 bar) Standard Setting	<b>N</b> Buna-N	
<b>C</b> Tamper Resistant - Factory Set	<b>C</b> 1000 - 6000 psi (70 - 420 bar), 1000 psi (70 bar) Standard Setting	<b>V</b> Viton	
<b>J</b> Capped Screw Adjustment	<b>D</b> 200 - 800 psi (14 - 55 bar), 400 psi (28 bar) Standard Setting		
<b>R</b> Capped Screw Adjustment	<b>E</b> 100 - 400 psi (7 - 28 bar), 200 psi (14 bar) Standard Setting		
<b>W</b> Hex Wrench Adjustment	<b>S</b> 50 - 200 psi (3,5 - 14 bar), 100 psi (7 bar) Standard Setting		
<b>Y</b> manilla de tres agarres	<b>W</b> 800 - 4500 psi (55 - 315 bar), 1000 psi (70 bar) Standard Setting		

**PRIMARY CARTRIDGE** (A)

<b>A</b>	A (with RDDA primary cartridge, Acción-directa alivio válvula )
<b>A</b>	A (with RDDA3 primary cartridge, No-ajustable acción-directa alivio válvula )

### INCLUDED COMPONENTS

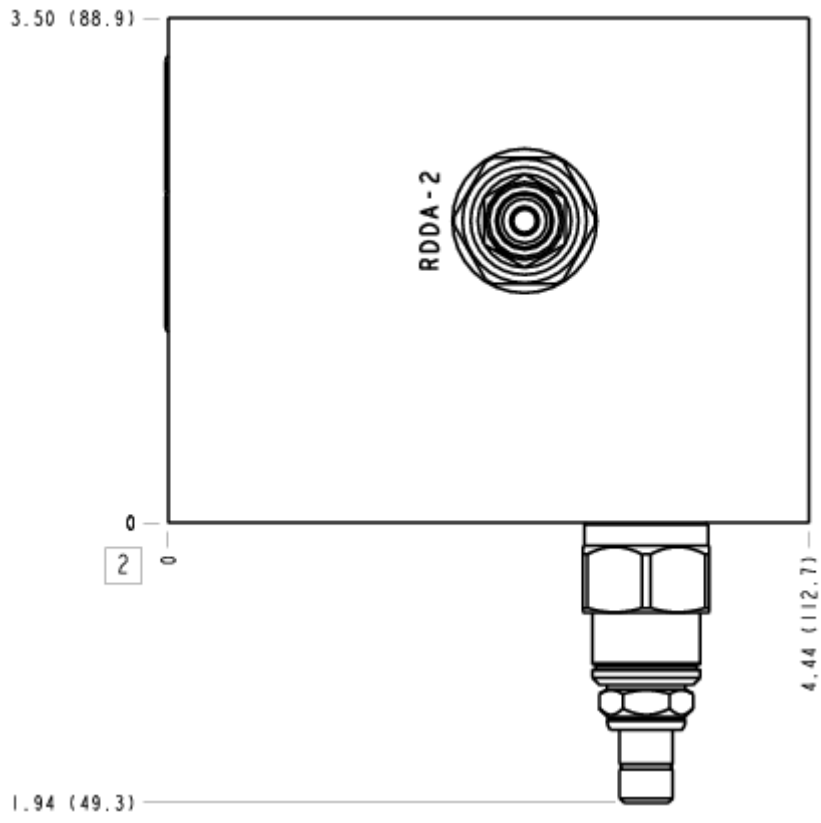
Part	Description	Quantity
500-001-117*	O-Ring	2
DSCHXHN	Cartridge	1
RDDALAN	Cartridge - Primary	2
RPECLNN	Cartridge	1

### MANIFOLD FACES

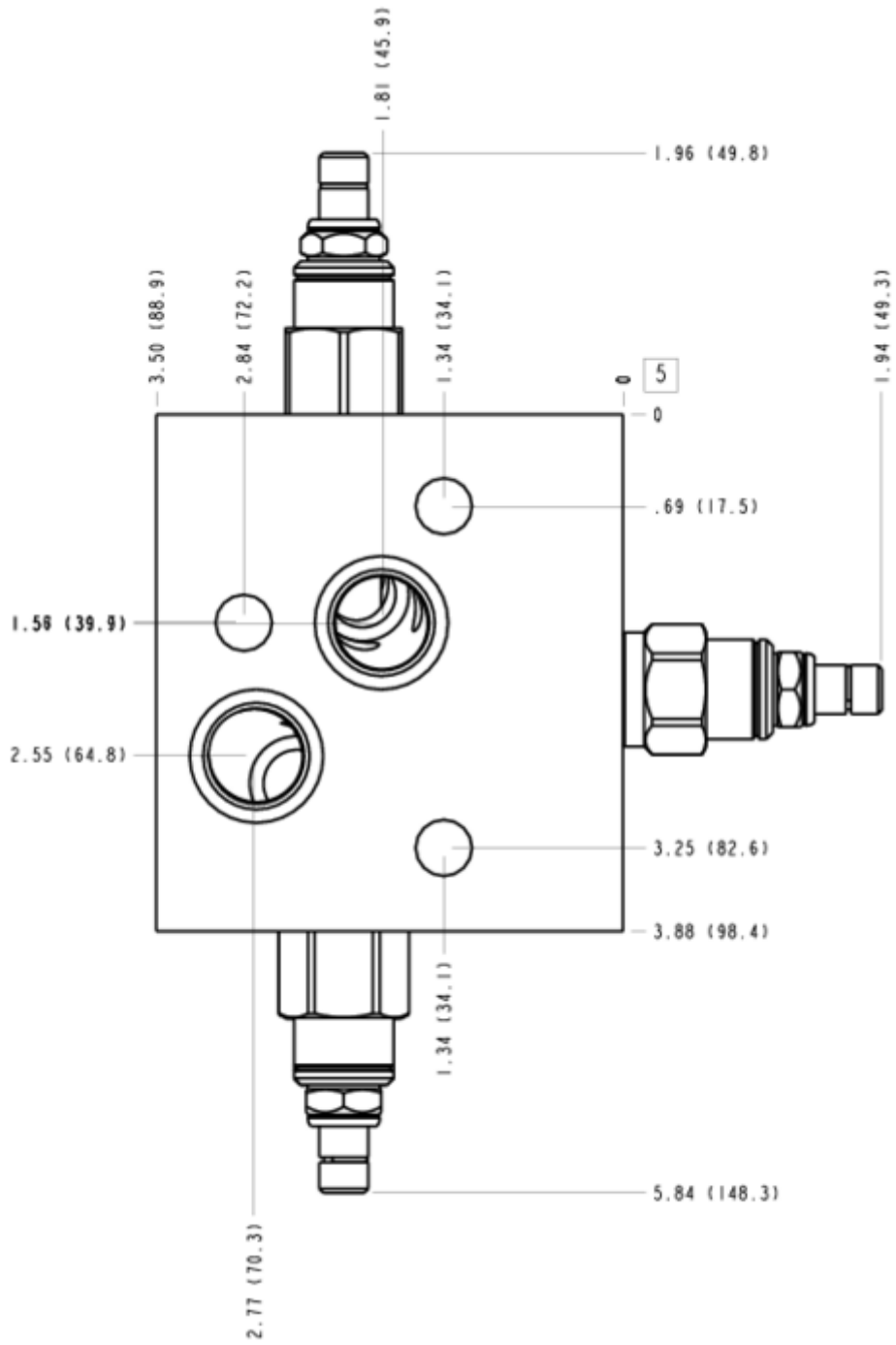
#### FACE GRID

1	2	3	4
5	6	7	8
9	10	11	12

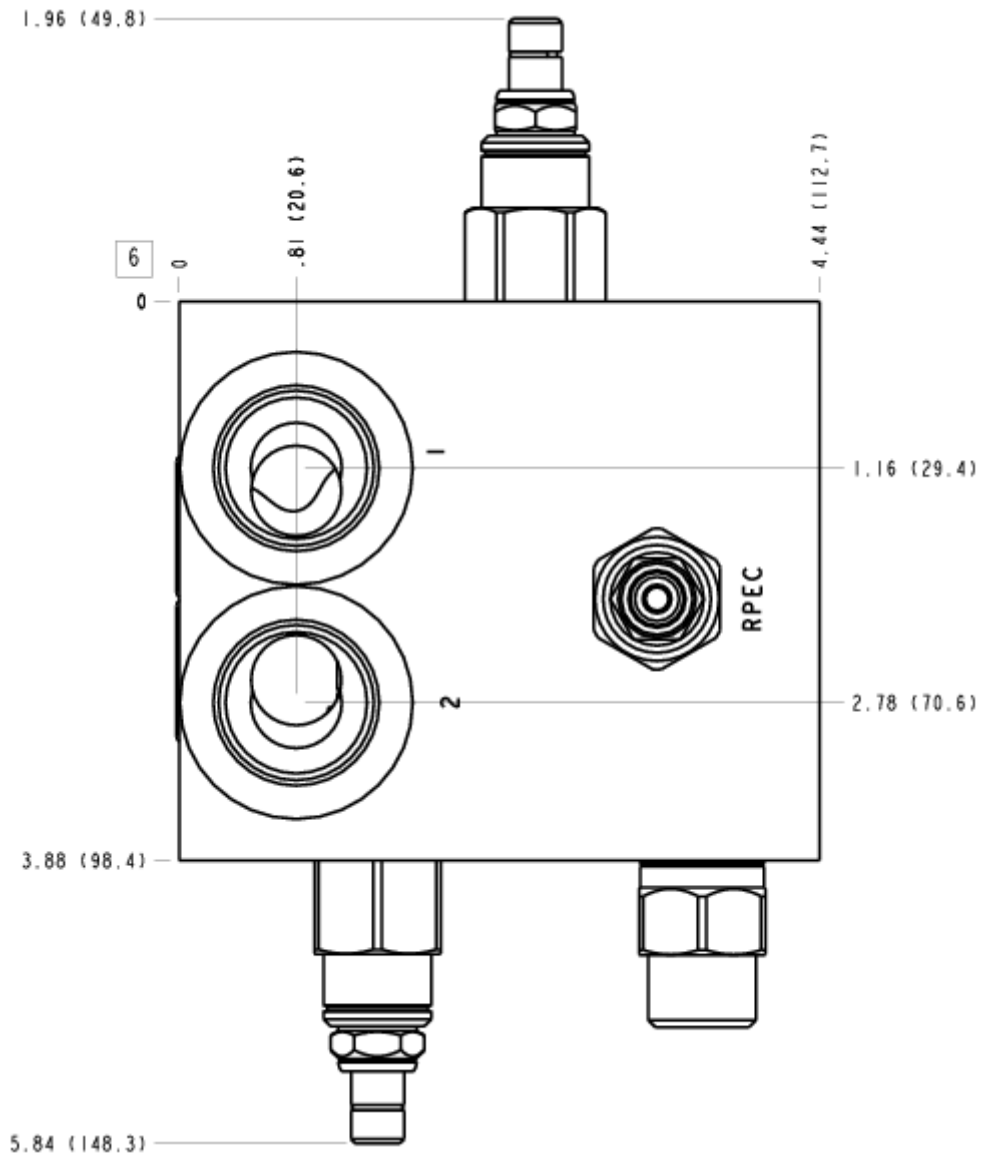
FACE 2



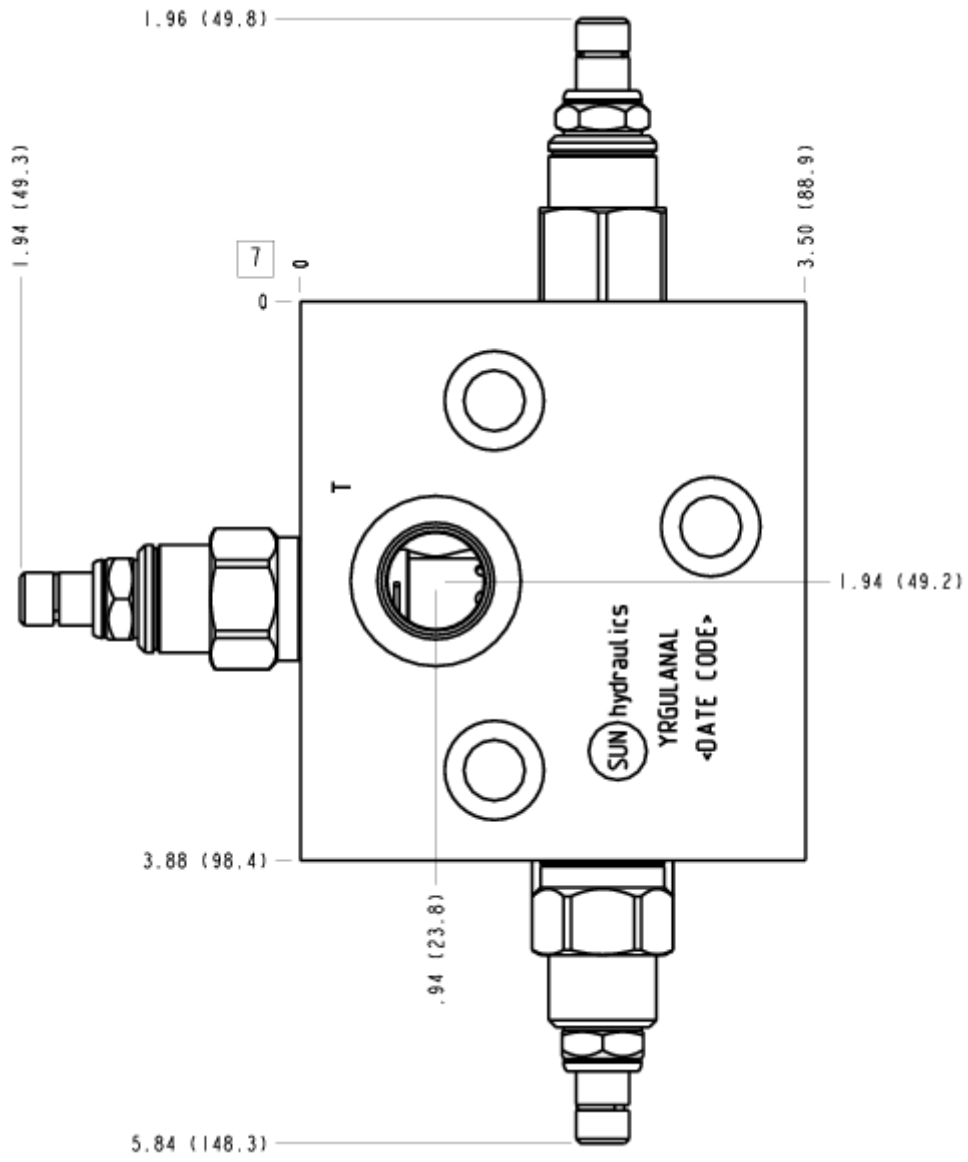
# FACE 5



FACE 6



FACE 7



FACE 10

