

**TECHNICAL DATA** NOTE: DATA MAY VARY BY CONFIGURATION. SEE CONFIGURATION SECTION.

	480 L/min.
	4

**OPTION SELECTION EXAMPLE: YRIALANAR**

(L) (A) (N)

<b>L</b>	<b>A</b>	100 - 3000 psi (7 - 210 bar), 1000 psi (70 bar)	<b>N</b>
<b>W</b>	<b>Q</b>	60 - 400 psi (4 - 28 bar), 200 psi (14 bar)	<b>V</b>

**PRIMARY CARTRIDGE**

(A)

<b>A</b>	A (with RPIC primary cartridge, )		
<b>A</b>	A (with RPIC8 primary cartridge, )	T-8A	)

**INCLUDED COMPONENTS**

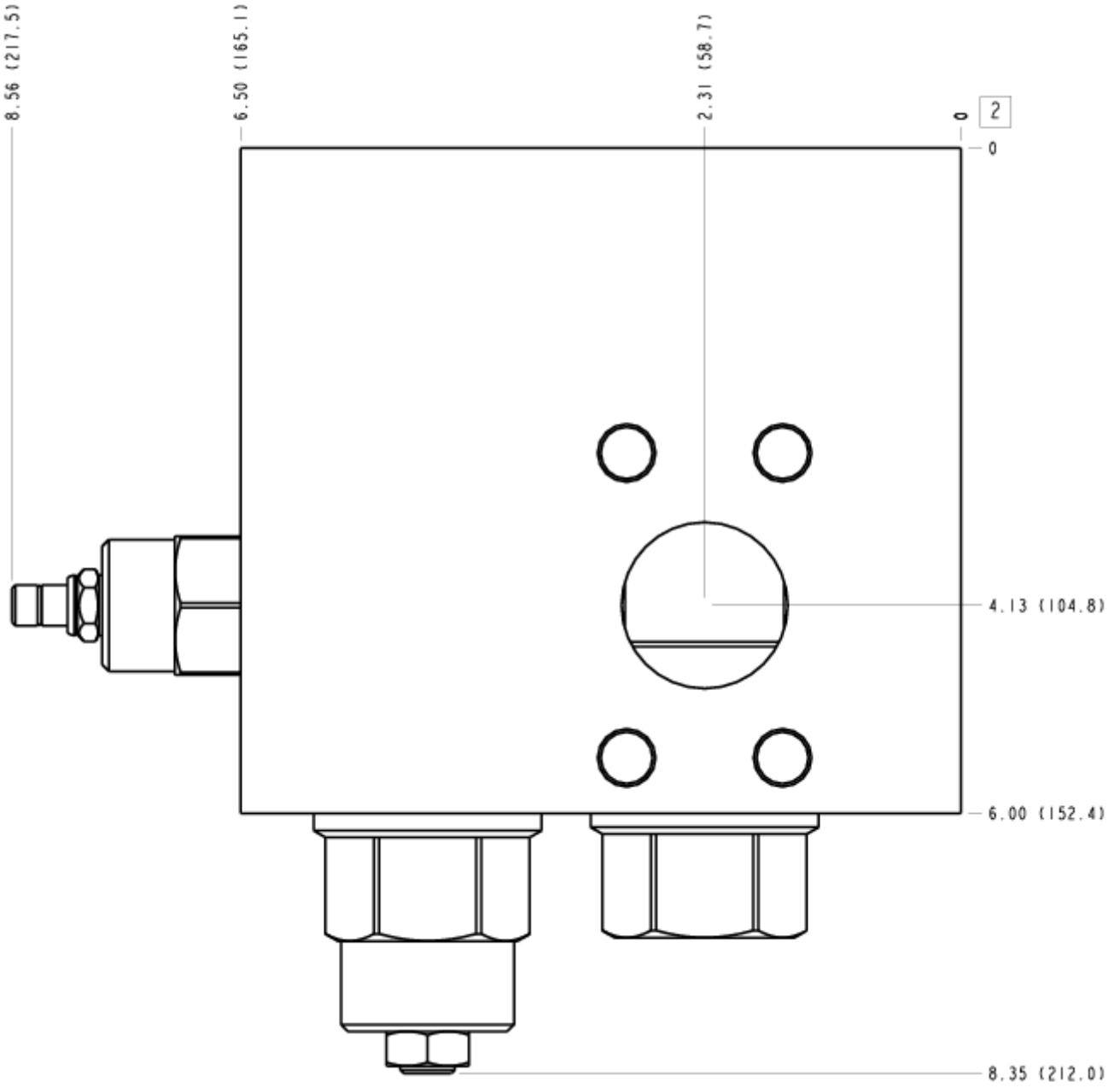
Part	Description	Quantity
CBIALIN	Cartridge	1
CXJAXCN	Cartridge	1
RPICLAN	Cartridge - Primary	1

**MANIFOLD FACES**

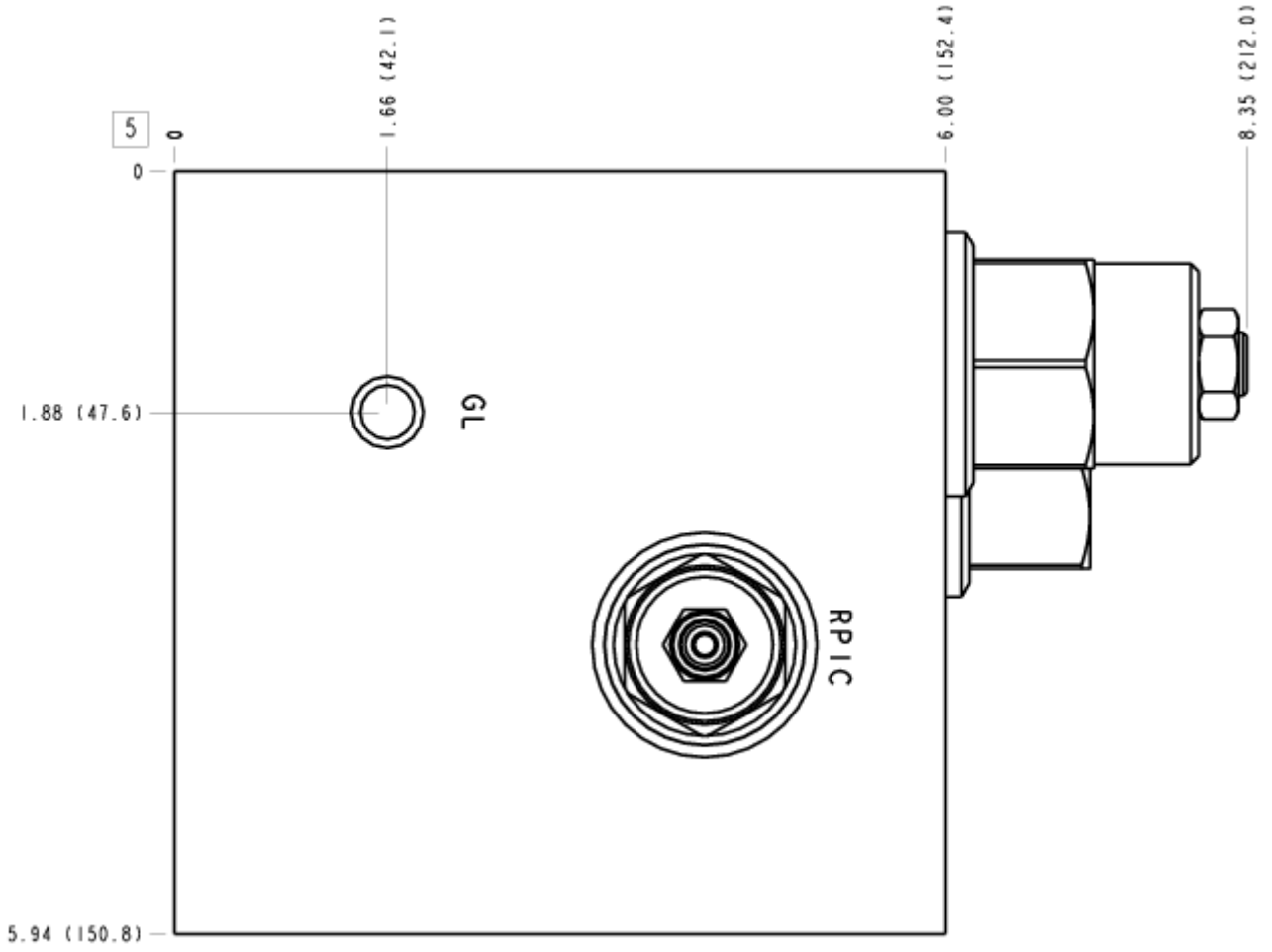
**FACE GRID**

1	2	3	4
5	6	7	8
9	10	11	12

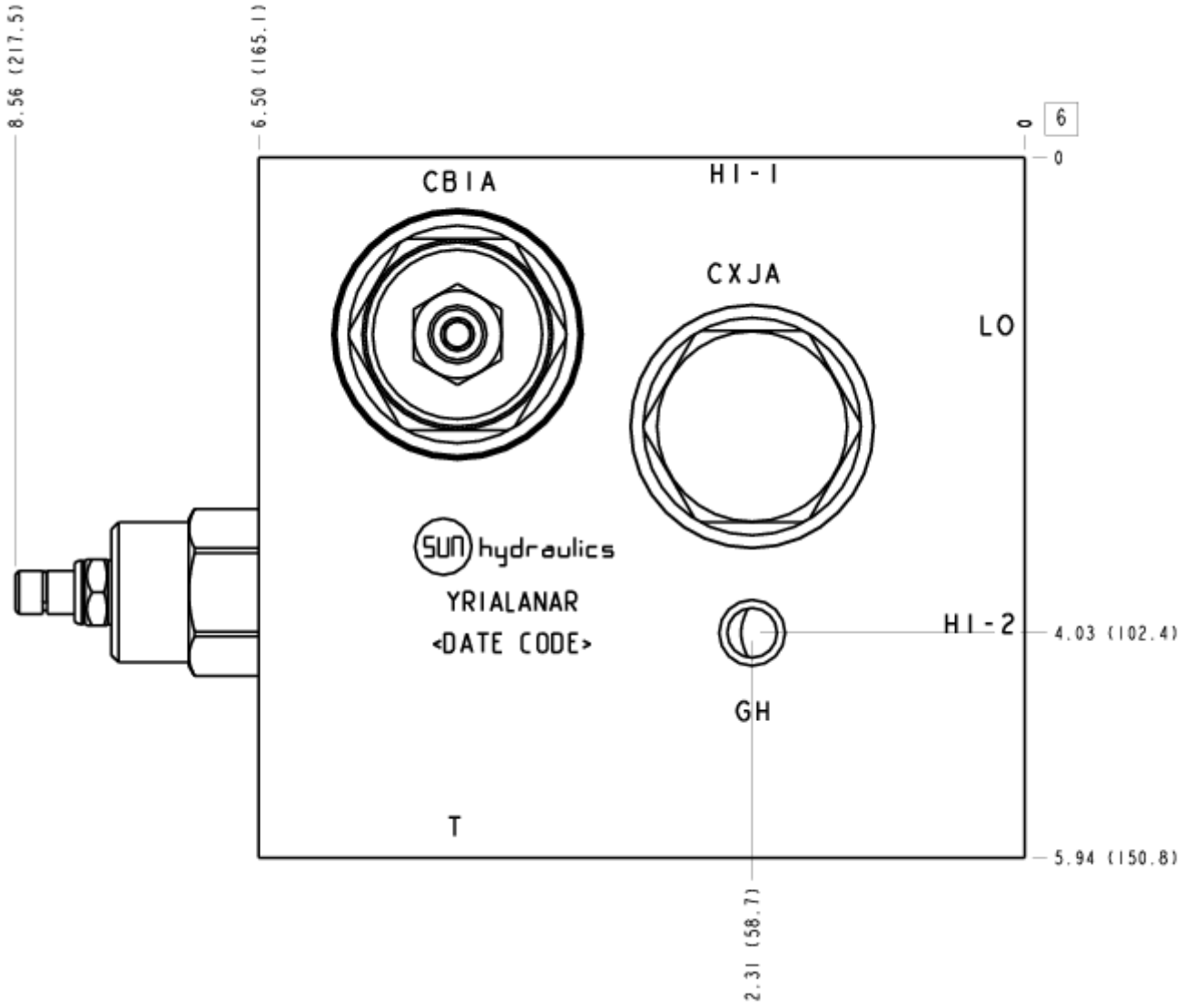
FACE 2



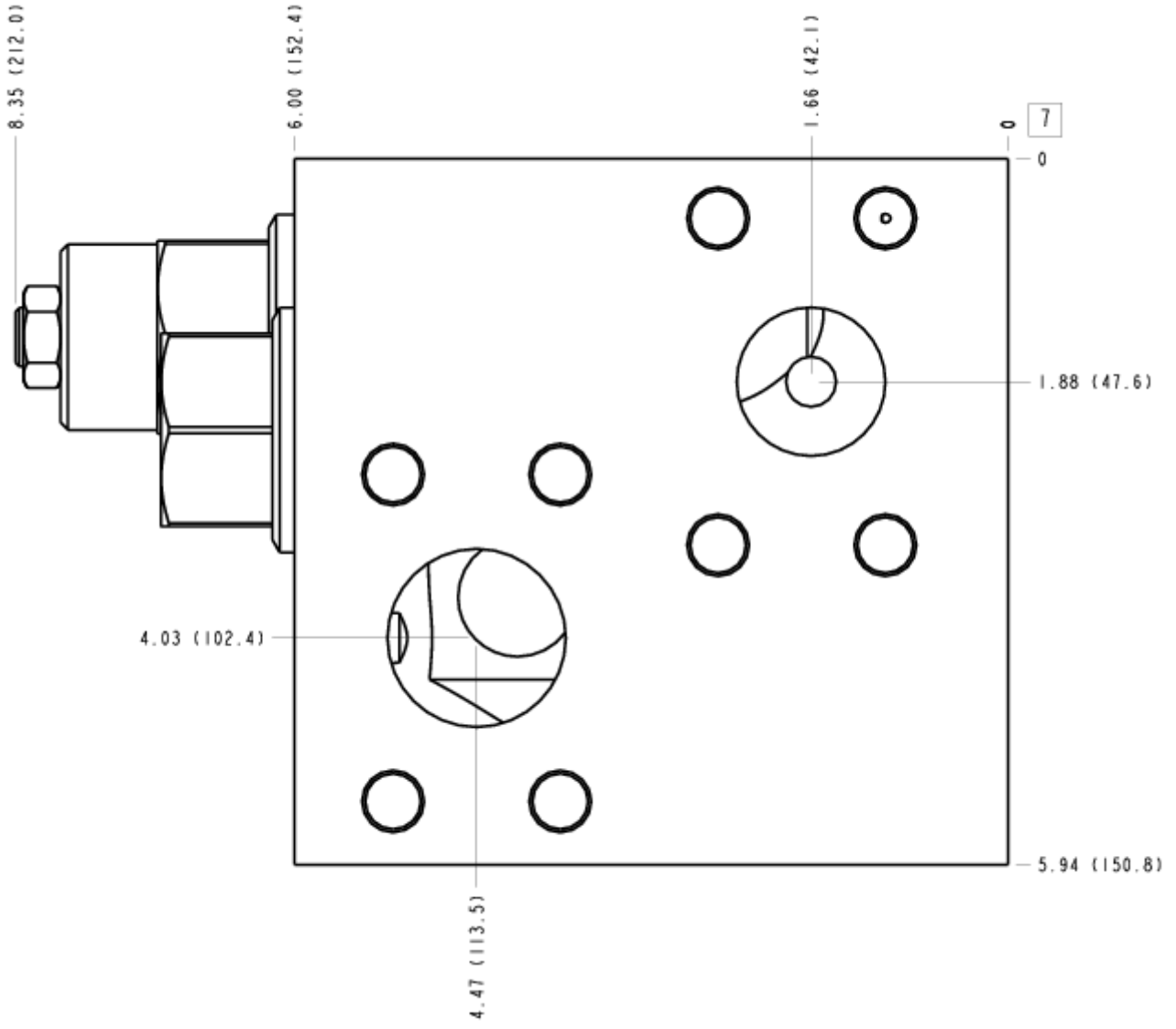
FACE 5



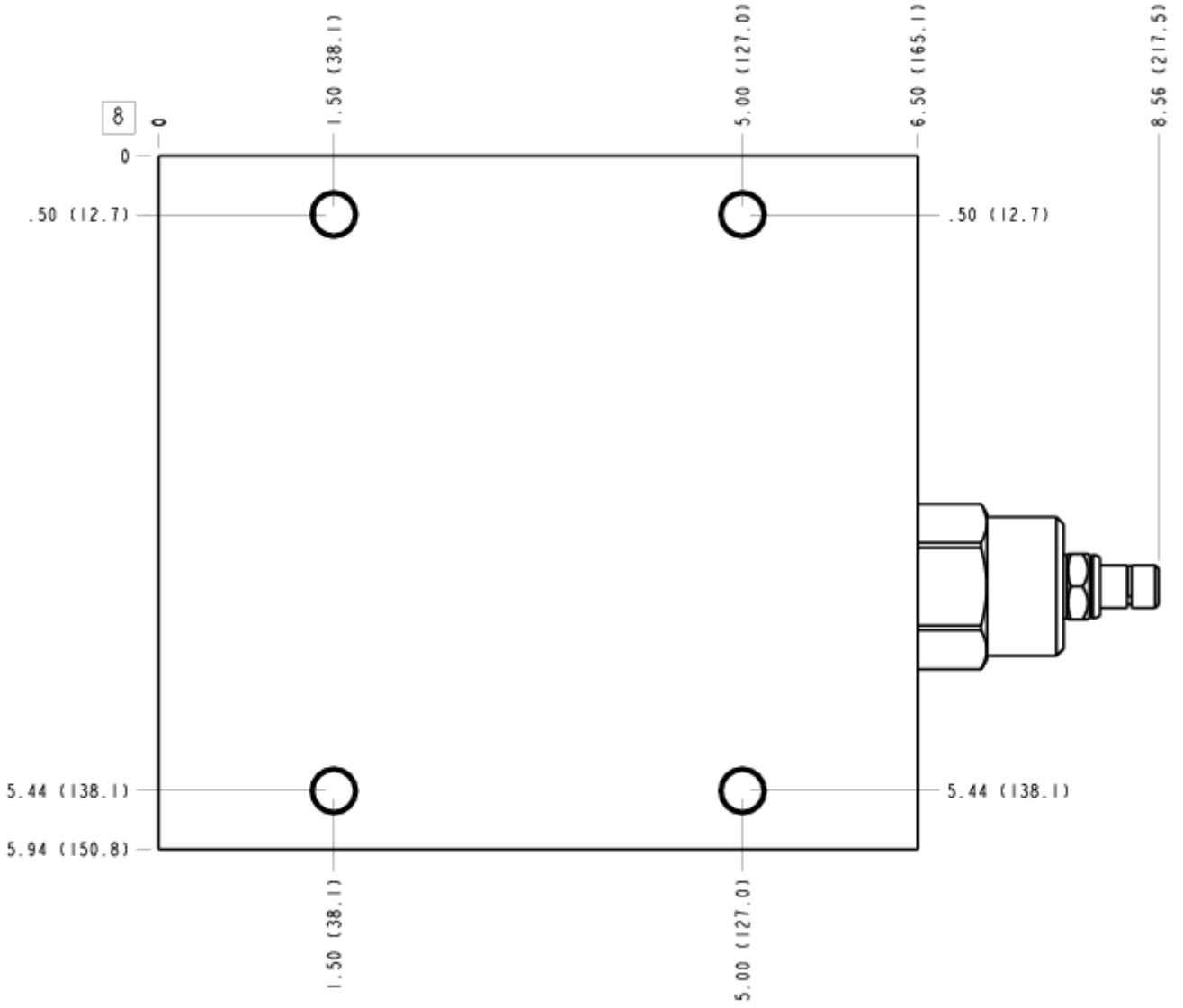
FACE 6



FACE 7



FACE 8



FACE 10

