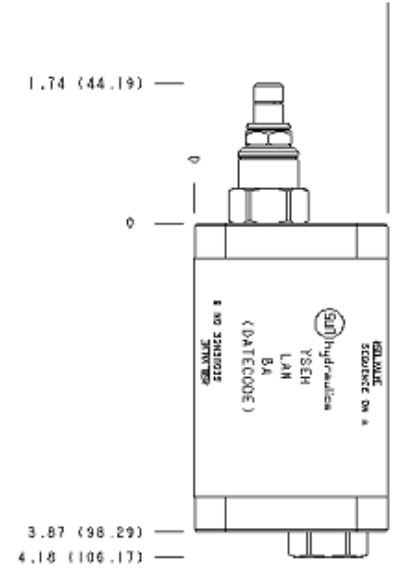
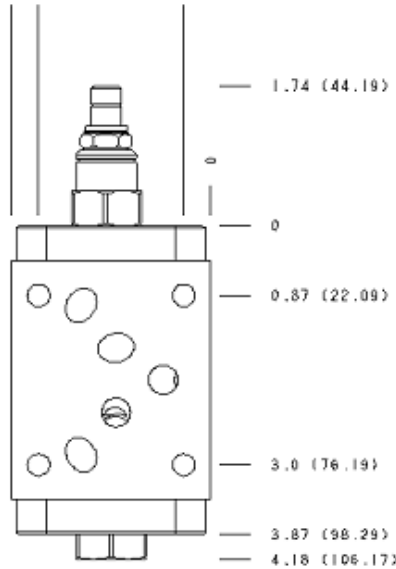


2.5 (63.8)
2.15 (54.60)

0.34 (8.63)

2.43 (61.72)



This assembly consists of a pilot-operated, balanced piston sequence valve that will supply a secondary circuit with flow once the pressure at the inlet (port 1) has exceeded the valve setting. The pressure setting of a sequence valve controls the pressure at port 1 relative to the pressure at the drain (port 3). These valves are insensitive to back pressure at port 2 (sequence), up to the valve setting. They may be used to regulate pressure in place of 2-port relief valves if there is pressure in the return line. Additionally the assembly also provides a reverse flow check valve.

TECHNICAL DATA NOTE: DATA MAY VARY BY CONFIGURATION. SEE CONFIGURATION SECTION.

Body Type	Sandwich
Interface	ISO 05
Body Features	A or B to External Port with Free Flow Check
Seal Plate Included (see notes)	Yes
Stack Height	2.49 in.

- NOTES:**
- Stack height value in technical data table includes seal retainer plate.
 - For detailed information regarding the cartridges contained in this assembly, click on the models codes shown in the Included Components tab.
 - **Important:** Carefully consider the maximum system pressure. The pressure rating of the manifold is dependent on the manifold material, with the port type/size a secondary consideration. Manifolds constructed of aluminum are not rated for pressures higher than 3000 psi (210 bar), regardless of the port type/size specified.

CONFIGURATION OPTIONS

Model Code Example: YSEHLANBA

CONTROL		(L) ADJUSTMENT RANGE	(A) SEAL MATERIAL	(N)
L	Standard Screw Adjustment	A 100 - 3000 psi (7 - 210 bar), 1000 psi (70 bar) Standard Setting	N	Buna-N
C	Tamper Resistant - Factory Set	B 50 - 1500 psi (3,5 - 105 bar), 1000 psi (70 bar) Standard Setting	V	Viton
K	Handknob	C 150 - 6000 psi (10,5 - 420 bar), 1000 psi (70 bar) Standard Setting		
W	Hex Wrench Adjustment	D 25 - 800 psi (1,7 - 55 bar), 400 psi (28 bar) Standard Setting		
Y	Tri-Grip Handknob	E 25 - 400 psi (1,7 - 28 bar), 200 psi (14 bar) Standard Setting		
		N 60 - 800 psi (4 - 55 bar), 400 psi (28 bar) Standard Setting		
		Q 60 - 400 psi (4 - 28 bar), 200 psi (14 bar) Standard Setting		
		W 150 - 4500 psi (10,5 - 315 bar), 1000 psi (70 bar) Standard Setting		

PRIMARY CARTRIDGE

(B)

B	B (with RSDC primary cartridge, Pilot-operated, balanced piston sequence valve)
B	B (with RSDC8 primary cartridge, Pilot-operated, balanced piston sequence main stage with integral T-8A control cavity)

INCLUDED COMPONENTS

Part	Description	Quantity
500-001-014*	O-Ring	5
700-001*	Seal Plate	1
CXDAXCN	Cartridge	1
RSDCLAN	Cartridge - Primary	1