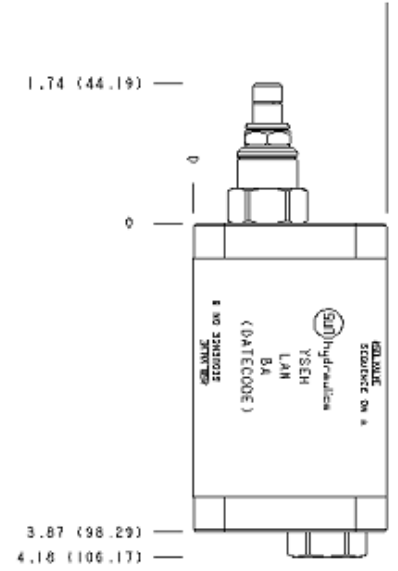
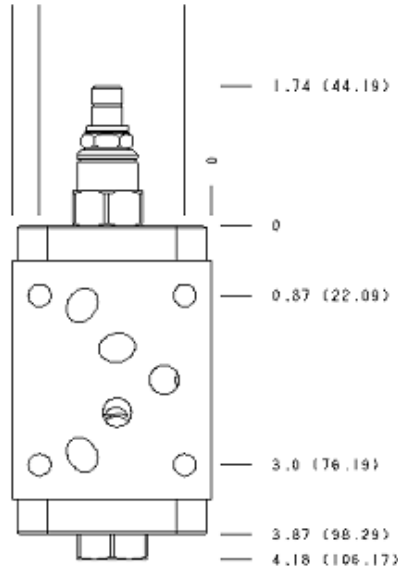


2.05 (63.6)
2.15 (54.60)

0.34 (8.83)

2.43 (61.72)



TECHNICAL DATA NOTE: DATA MAY VARY BY CONFIGURATION. SEE CONFIGURATION SECTION.

Body Type	aplilables
Interface	ISO 05
Body Features	A or B to External Port with Free Flow Check
Seal Plate Included (see notes)	Yes
Stack Height	63 mm

CONFIGURATION OPTIONS

Model Code Example: YSEHLANBA

CONTROL	(L)	ADJUSTMENT RANGE	(A)	SEAL MATERIAL	(N)
L	Standard Screw Adjustment	A	100 - 3000 psi (7 - 210 bar), 1000 psi (70 bar) Standard Setting	N	Buna-N
C	Tamper Resistant - Factory Set	B	50 - 1500 psi (3,5 - 105 bar), 1000 psi (70 bar) Standard Setting	V	Viton
J	Capped Screw Adjustment	D	25 - 800 psi (1,7 - 55 bar), 400 psi (28 bar) Standard Setting		
K	manilla	E	25 - 400 psi (1,7 - 28 bar), 200 psi (14 bar) Standard Setting		
		W	150 - 4500 psi (10,5 - 315 bar), 1000 psi (70 bar) Standard Setting		

PRIMARY CARTRIDGE

(B)

B	B (with RSDC primary cartridge, Pilot-operated, pistón balanceado secuencia válvula)
B	B (with RSDC8 primary cartridge, Pilot-operated, pistón balanceado secuencia módulo principal con cavidad de control T-8A integral)

INCLUDED COMPONENTS

Part	Description	Quantity
500-001-014*	O-Ring	5
700-001*	Seal Plate	1
CXDAXCN	Cartridge	1
RSDCLAN	Cartridge - Primary	1