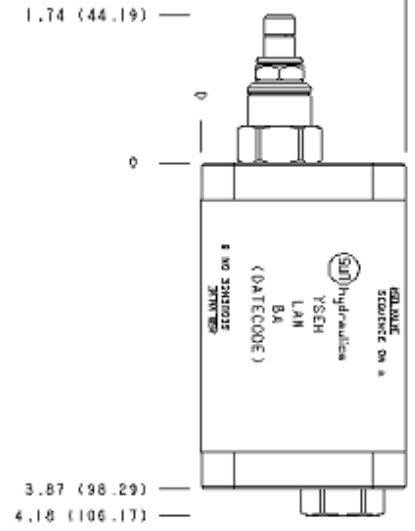
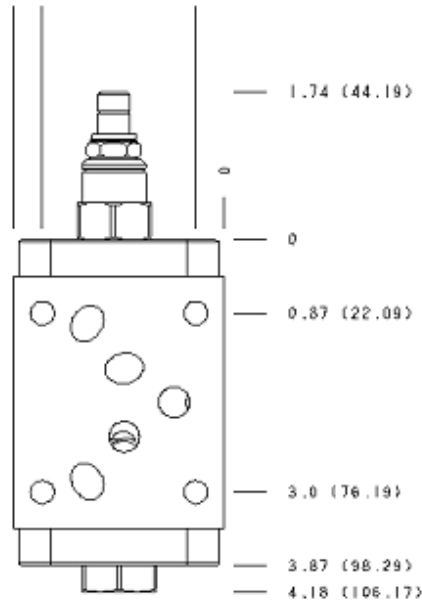


2.5 (83.5)
2.15 (54.60)

0.34 (8.63)

2.43 (61.72)



TECHNICAL DATA NOTE: DATA MAY VARY BY CONFIGURATION. SEE CONFIGURATION SECTION.

	ISO 05
	40 L/min.
Stack Height	63 mm
()	
	AB

OPTION SELECTION EXAMPLE: YSEHLANBA

(L) (A) (N)

L	A	100 - 3000 psi (7 - 210 bar), 1000 psi (70 bar)	N
J			V
O	Q	60 - 400 psi (4 - 28 bar), 200 psi (14 bar)	
W			

PRIMARY CARTRIDGE (B)

B	B (with RSDC primary cartridge, ,)		
B	B (with RSDC8 primary cartridge, ,	T-8A)

INCLUDED COMPONENTS

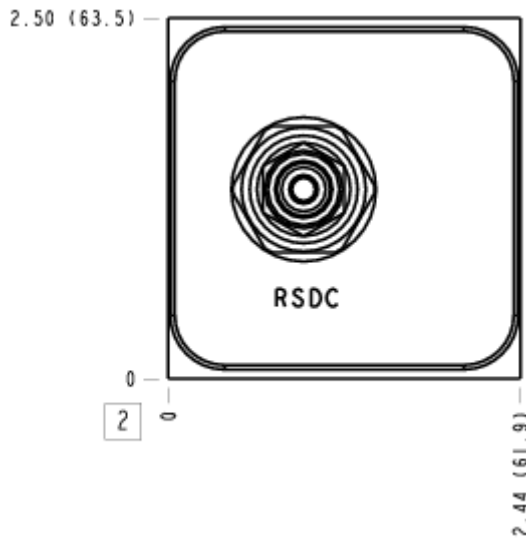
Part	Description	Quantity
500-001-014*	O-Ring	5
700-001*	Seal Plate	1
CXDAXCN	Cartridge	1
RSDCLAN	Cartridge - Primary	1

MANIFOLD FACES

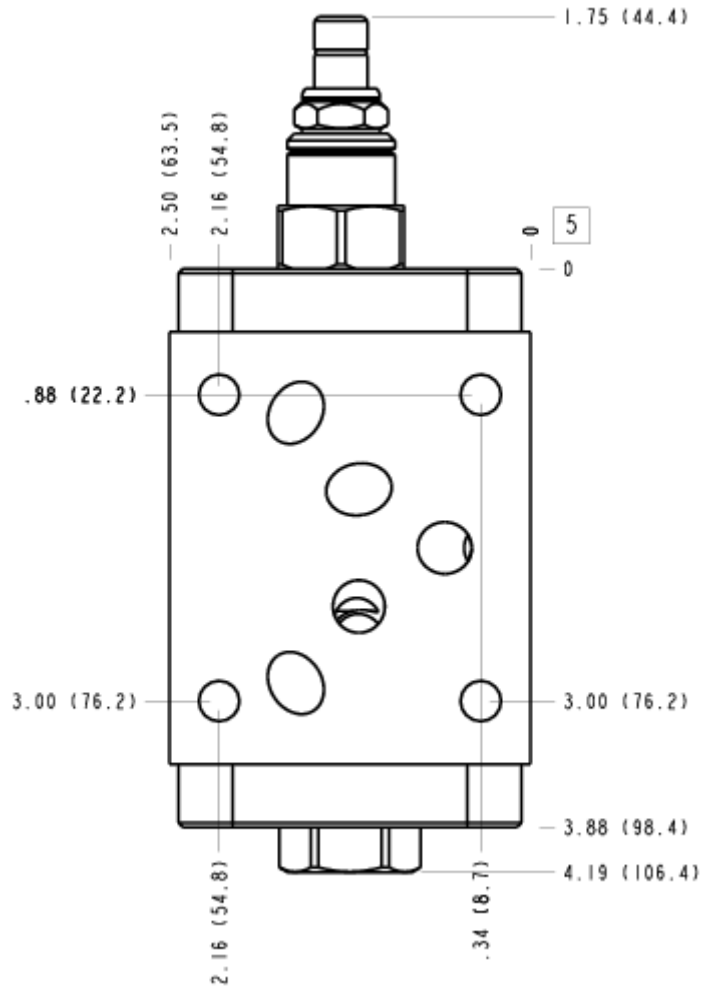
FACE GRID

1	2	3	4
5	6	7	8
9	10	11	12

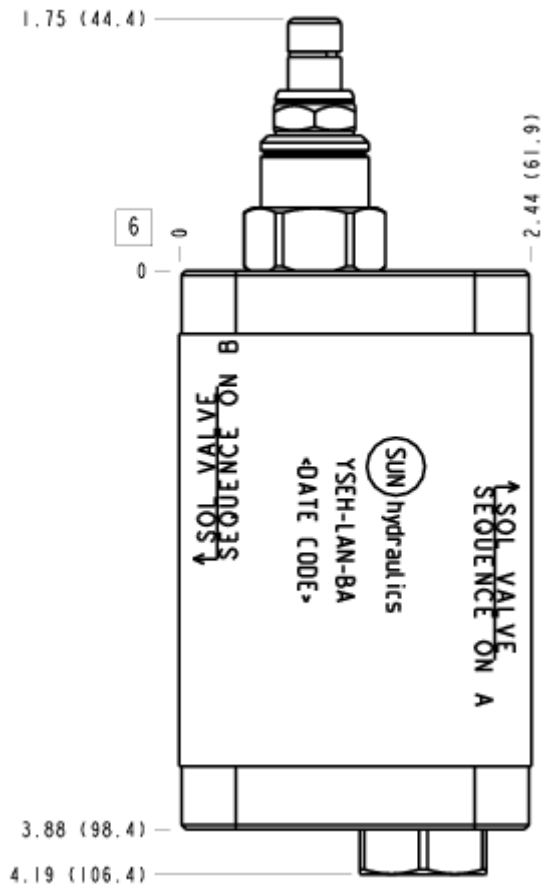
FACE 2



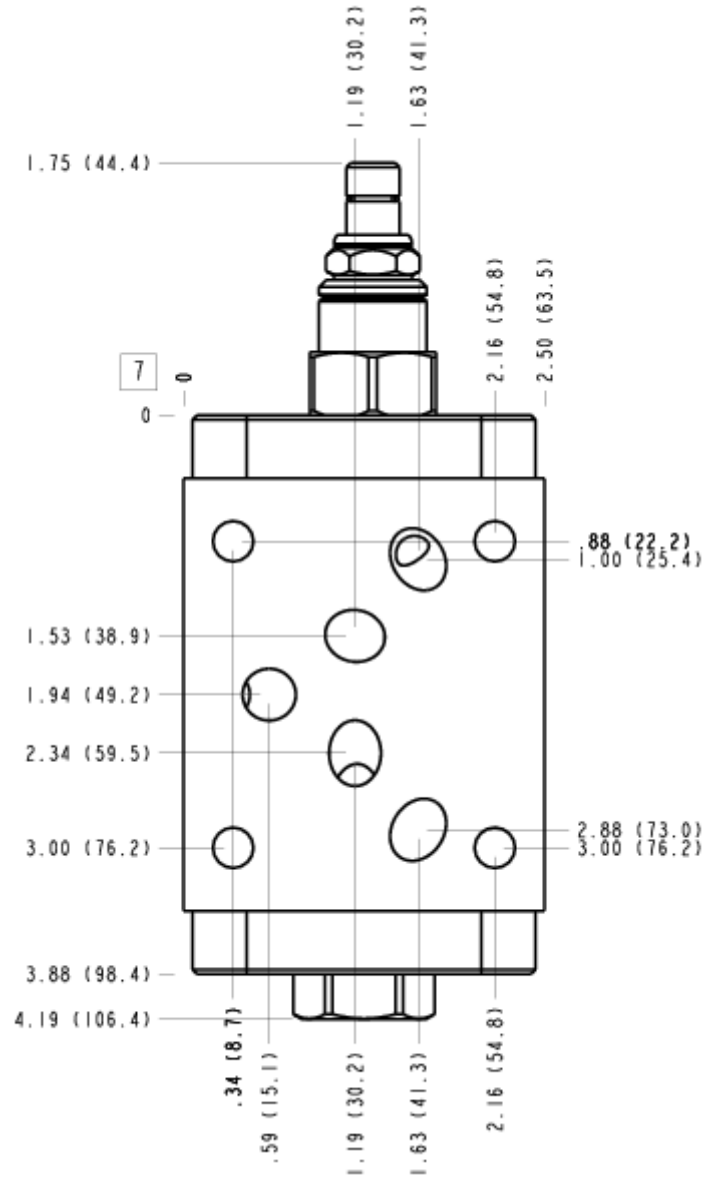
FACE 5



FACE 6



FACE 7



FACE 10

