

TECHNICAL DATA NOTE: DATA MAY VARY BY CONFIGURATION. SEE CONFIGURATION SECTION.

Body Type	montaje en línea
Capacity	240 L/min.
Mounting Hole Diameter	10,7 mm
Mounting Hole Depth	Through
Mounting Hole Quantity	2

OPTION SELECTION EXAMPLE: YSHCLANAN

CONTROL		(L) ADJUSTMENT RANGE	(A) SEAL MATERIAL	(N)	
L	Standard Screw Adjustment	A	100 - 3000 psi (7 - 210 bar), 1000 psi (70 bar) Standard Setting	N	Buna-N
C	Tamper Resistant - Factory Set	B	50 - 1500 psi (3,5 - 105 bar), 1000 psi (70 bar) Standard Setting	V	Viton
K	manilla	D	25 - 800 psi (1,7 - 55 bar), 400 psi (28 bar) Standard Setting		
		E	25 - 400 psi (1,7 - 28 bar), 200 psi (14 bar) Standard Setting		
		W	150 - 4500 psi (10,5 - 315 bar), 1000 psi (70 bar) Standard Setting		

PRIMARY CARTRIDGE (A)

A	4 psi (0,3 bar) (with RSHC primary cartridge, Pilot-operated, pistón balanceado secuencia válvula)
B	15 psi (1 bar) (with RSHC primary cartridge, Pilot-operated, pistón balanceado secuencia válvula)
C	30 psi (2 bar) (with RSHC primary cartridge, Pilot-operated, pistón balanceado secuencia válvula)
D	50 psi (3,5 bar) (with RSHC primary cartridge, Pilot-operated, pistón balanceado secuencia válvula)
E	75 psi (5 bar) (with RSHC primary cartridge, Pilot-operated, pistón balanceado secuencia válvula)
F	100 psi (7 bar) (with RSHC primary cartridge, Pilot-operated, pistón balanceado secuencia válvula)
Z	1 psi (0,07 bar) (with RSHC primary cartridge, Pilot-operated, pistón balanceado secuencia válvula)
Z	1 psi (0,07 bar) (with RSHC8 primary cartridge, Pilot-operated, pistón balanceado secuencia módulo principal con cavidad de control T-8A integral)
F	100 psi (7 bar) (with RSHC8 primary cartridge, Pilot-operated, pistón balanceado secuencia módulo principal con cavidad de control T-8A integral)
E	75 psi (5 bar) (with RSHC8 primary cartridge, Pilot-operated, pistón balanceado secuencia módulo principal con cavidad de control T-8A integral)
D	50 psi (3,5 bar) (with RSHC8 primary cartridge, Pilot-operated, pistón balanceado secuencia módulo principal con cavidad de control T-8A integral)
C	30 psi (2 bar) (with RSHC8 primary cartridge, Pilot-operated, pistón balanceado secuencia módulo principal con cavidad de control T-8A integral)
B	15 psi (1 bar) (with RSHC8 primary cartridge, Pilot-operated, pistón balanceado secuencia módulo principal con cavidad de control T-8A integral)
A	4 psi (0,3 bar) (with RSHC8 primary cartridge, Pilot-operated, pistón balanceado secuencia módulo principal con cavidad de control T-8A integral)

INCLUDED COMPONENTS

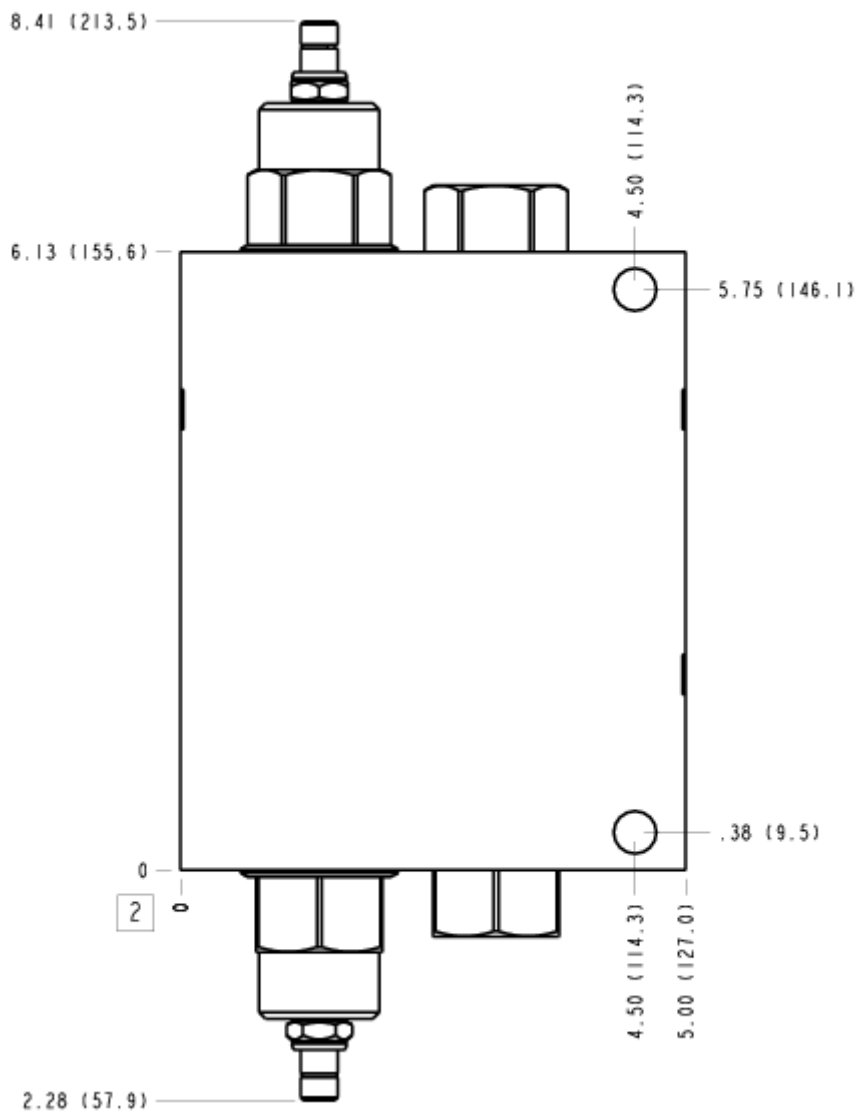
Part	Description	Quantity
CXHAXAN	Cartridge	2
RSHCLAN	Cartridge - Primary	2

MANIFOLD FACES

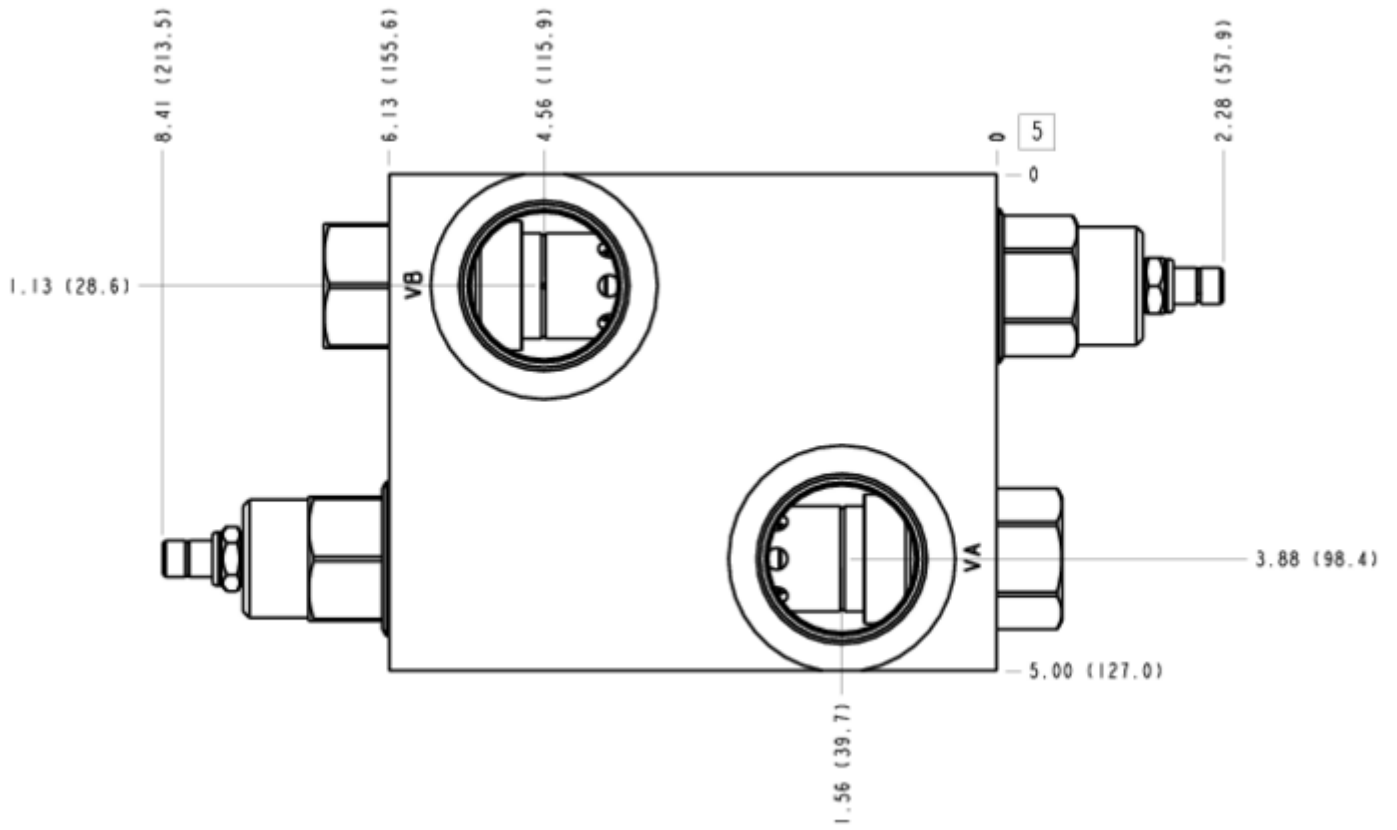
FACE GRID

1	2	3	4
5	6	7	8
9	10	11	12

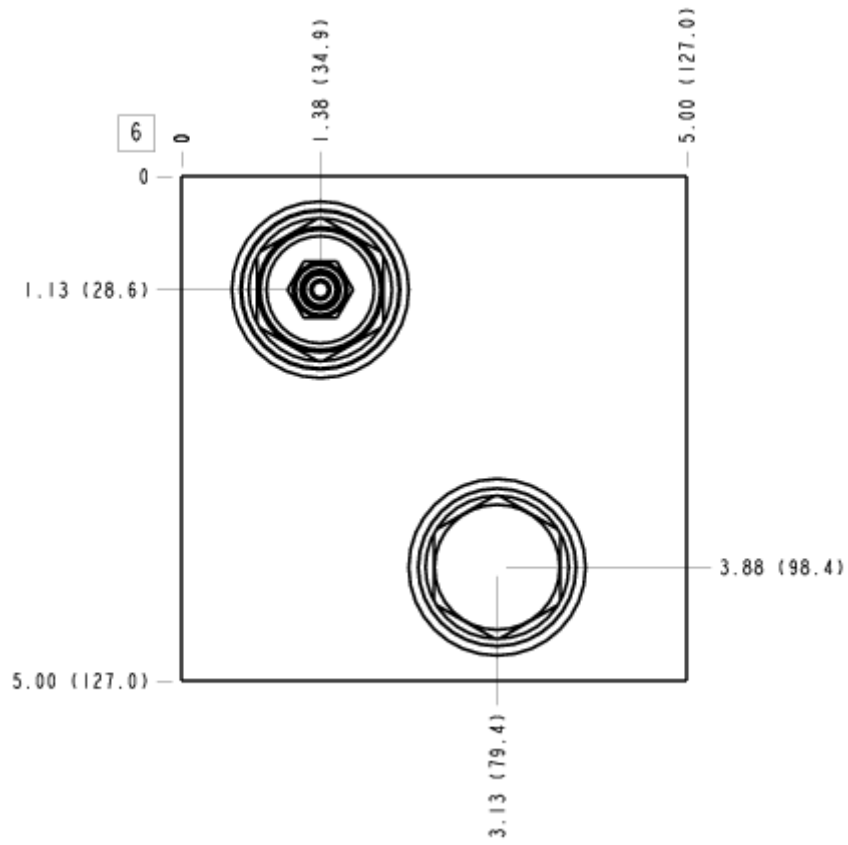
FACE 2



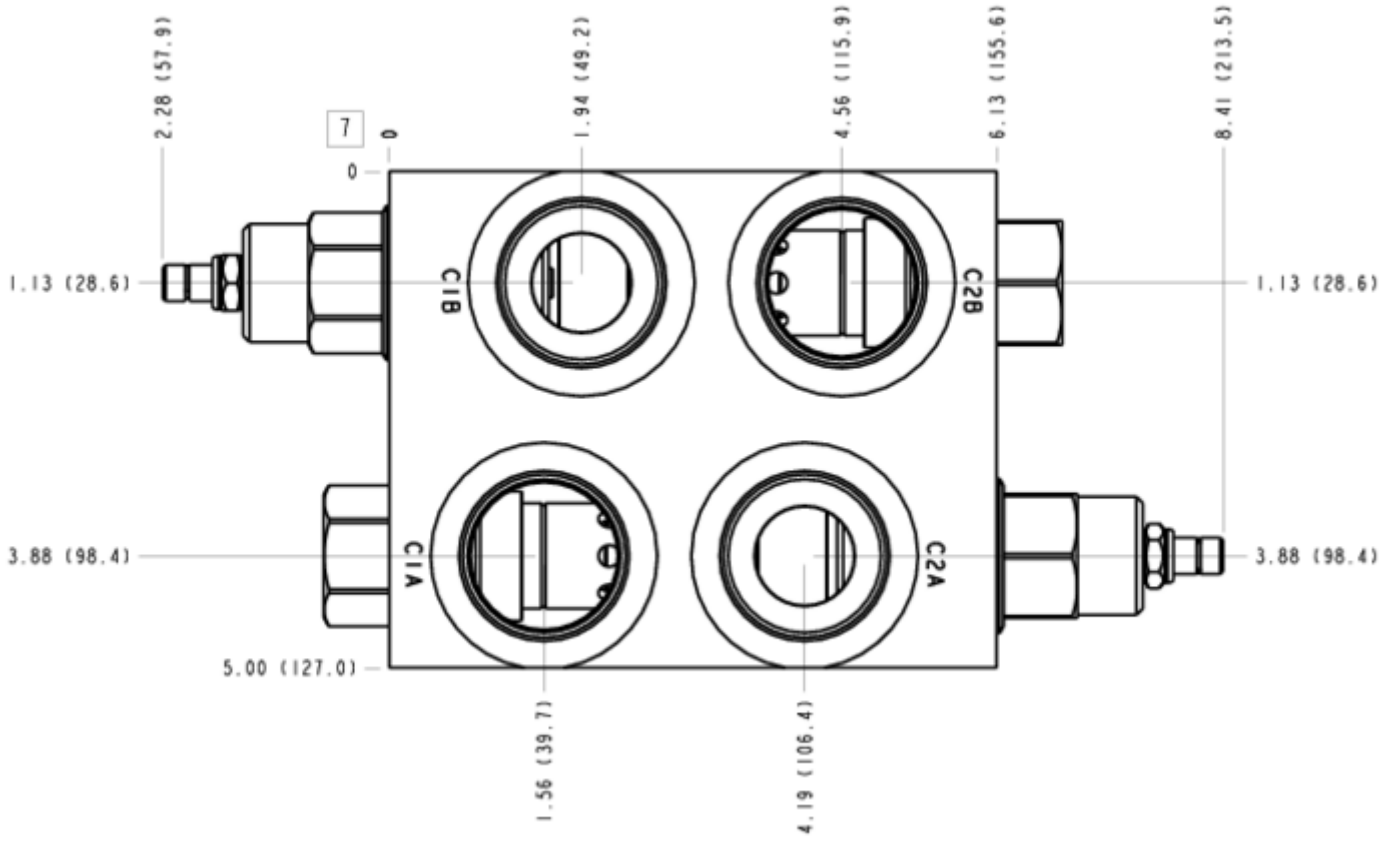
FACE 5



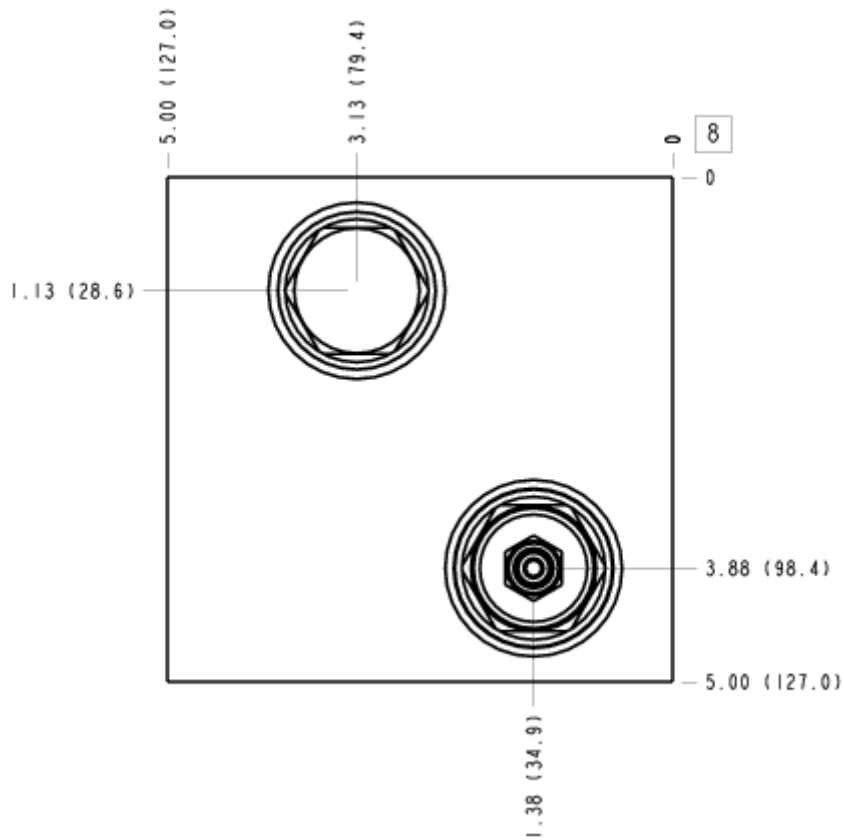
FACE 6



FACE 7



FACE 8



FACE 10

