

**TECHNICAL DATA** NOTE: DATA MAY VARY BY CONFIGURATION. SEE CONFIGURATION SECTION.

	240 L/min.
	10,7 mm
	Through
	2

**OPTION SELECTION EXAMPLE: YSHCLANAN**

(L) (A) (N)

<b>L</b>	<b>A</b> 100 - 3000 psi (7 - 210 bar), 1000 psi (70 bar)	<b>N</b> V
----------	--	---------------

**PRIMARY CARTRIDGE**

(A)

<b>A</b>	4 psi (0,3 bar) (with RSHC primary cartridge, , )
<b>B</b>	15 psi (1 bar) (with RSHC primary cartridge, , )
<b>C</b>	30 psi (2 bar) (with RSHC primary cartridge, , )
<b>D</b>	50 psi (3,5 bar) (with RSHC primary cartridge, , )
<b>E</b>	75 psi (5 bar) (with RSHC primary cartridge, , )
<b>F</b>	100 psi (7 bar) (with RSHC primary cartridge, , )
<b>Z</b>	1 psi (0,07 bar) (with RSHC primary cartridge, , )
<b>Z</b>	1 psi (0,07 bar) (with RSHC8 primary cartridge, , T-8A )
<b>F</b>	100 psi (7 bar) (with RSHC8 primary cartridge, , T-8A )
<b>E</b>	75 psi (5 bar) (with RSHC8 primary cartridge, , T-8A )
<b>D</b>	50 psi (3,5 bar) (with RSHC8 primary cartridge, , T-8A )
<b>C</b>	30 psi (2 bar) (with RSHC8 primary cartridge, , T-8A )
<b>B</b>	15 psi (1 bar) (with RSHC8 primary cartridge, , T-8A )
<b>A</b>	4 psi (0,3 bar) (with RSHC8 primary cartridge, , T-8A )

**INCLUDED COMPONENTS**

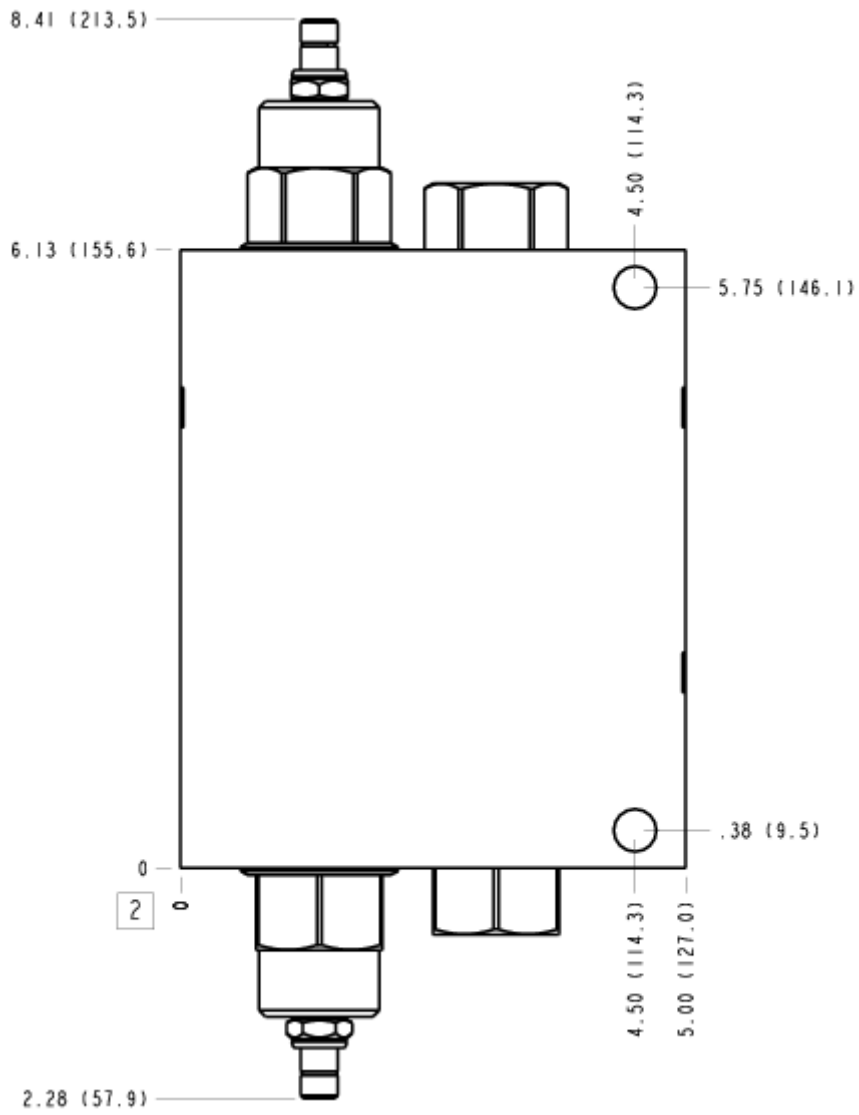
Part	Description	Quantity
CXHAXAN	Cartridge	2
RSHCLAN	Cartridge - Primary	2

**MANIFOLD FACES**

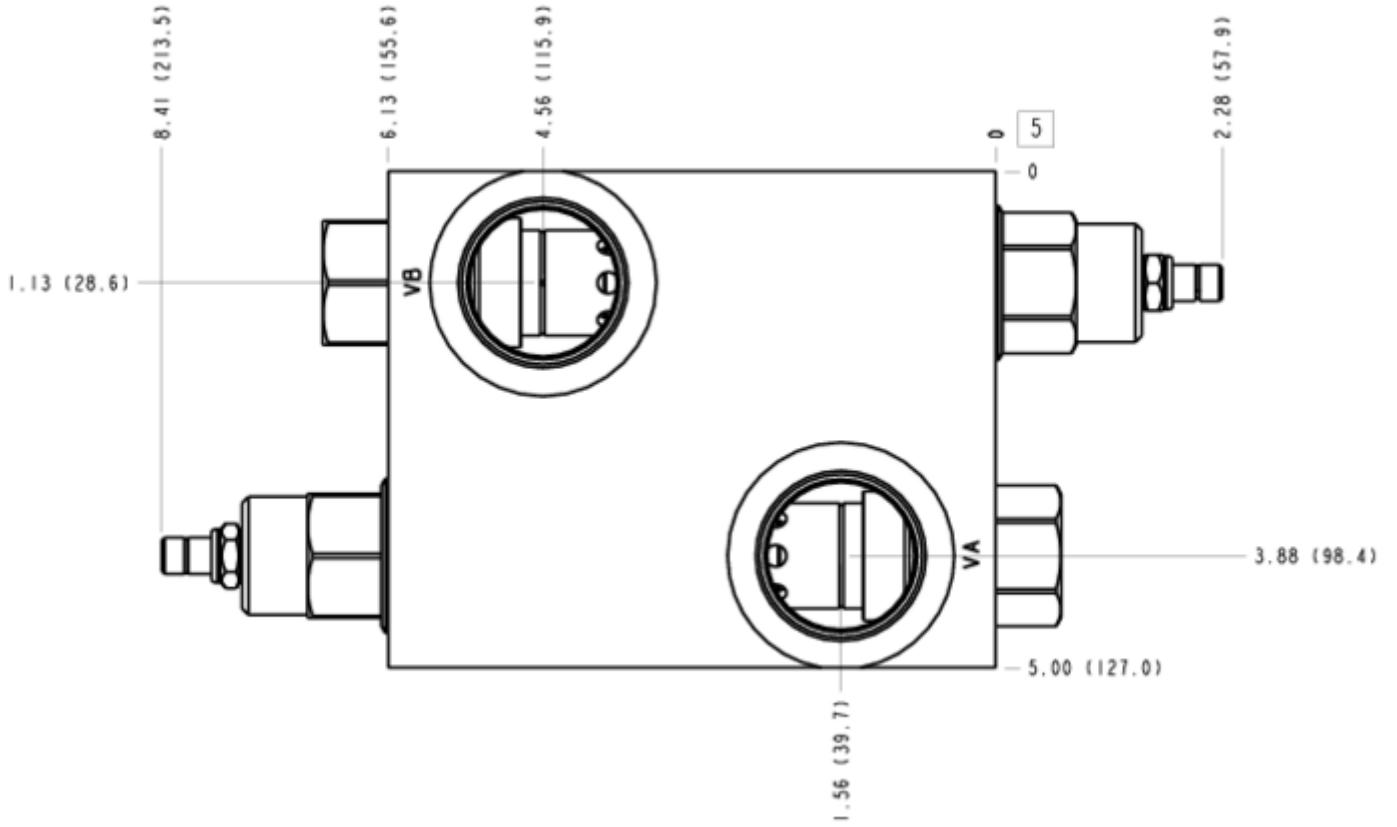
**FACE GRID**

1	2	3	4
5	6	7	8
9	10	11	12

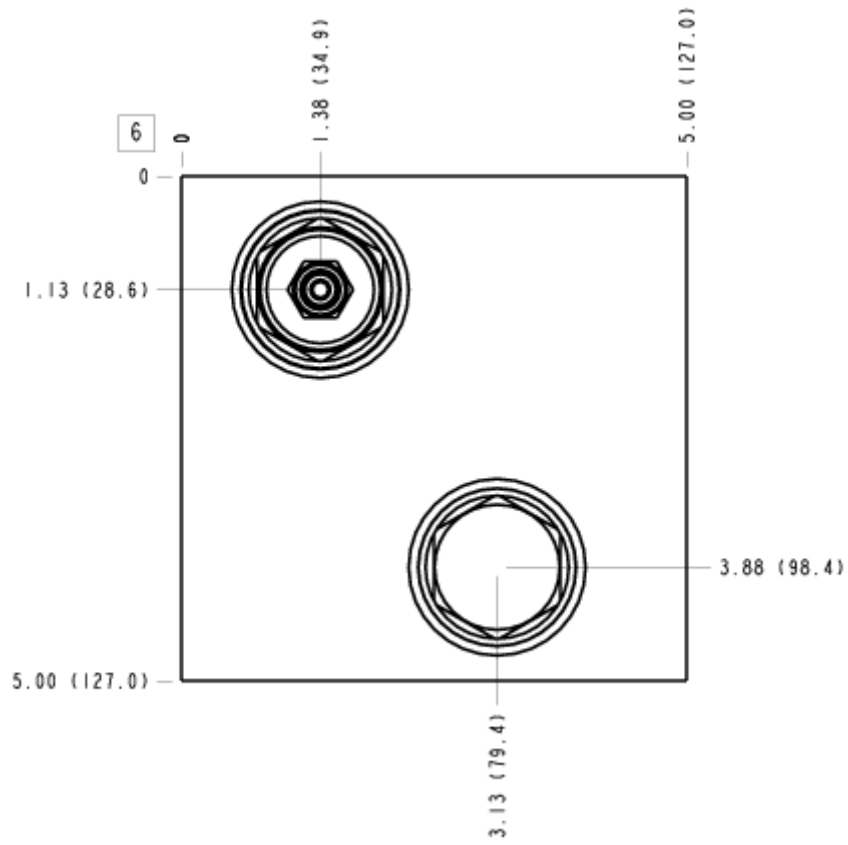
# FACE 2



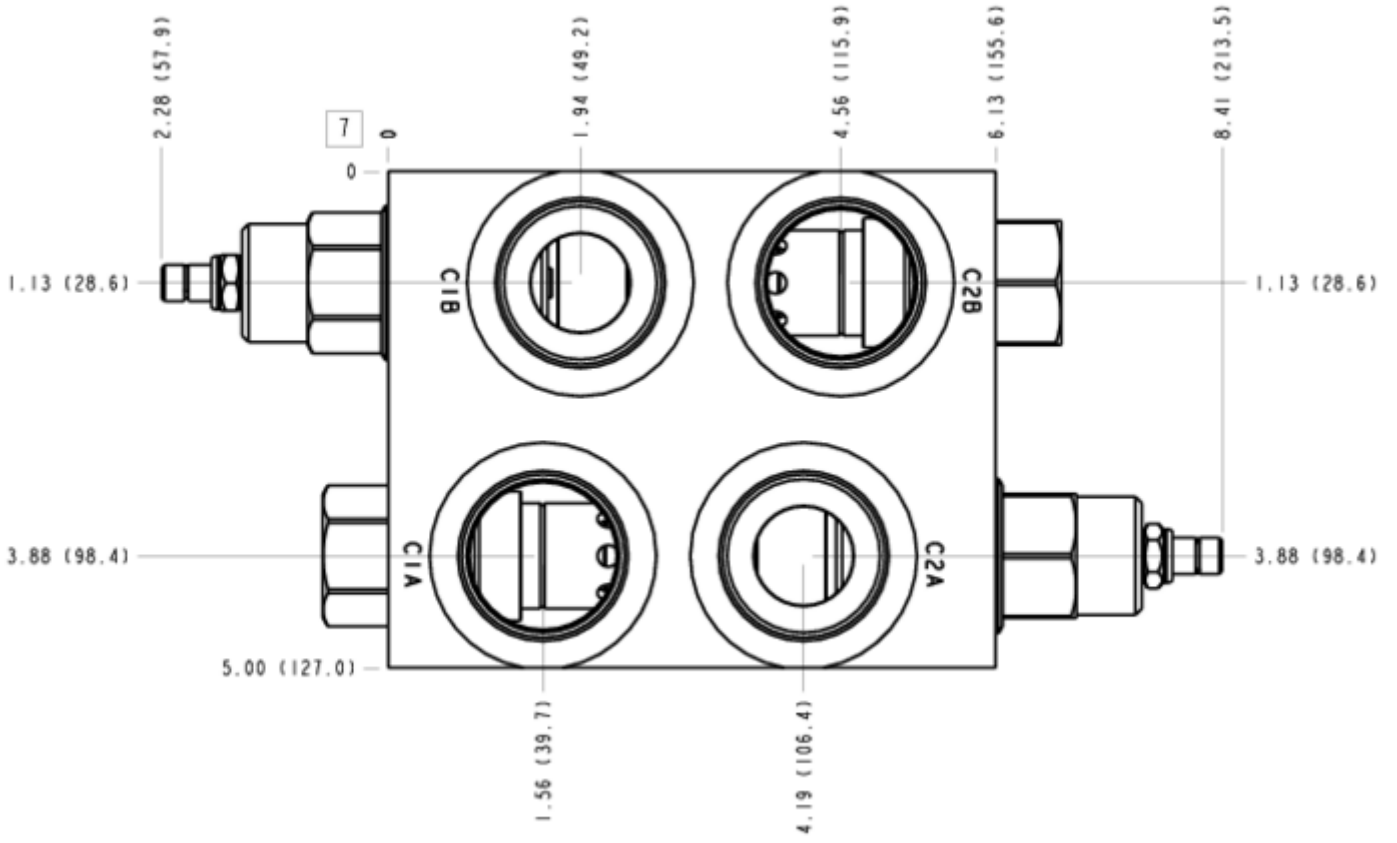
### FACE 5



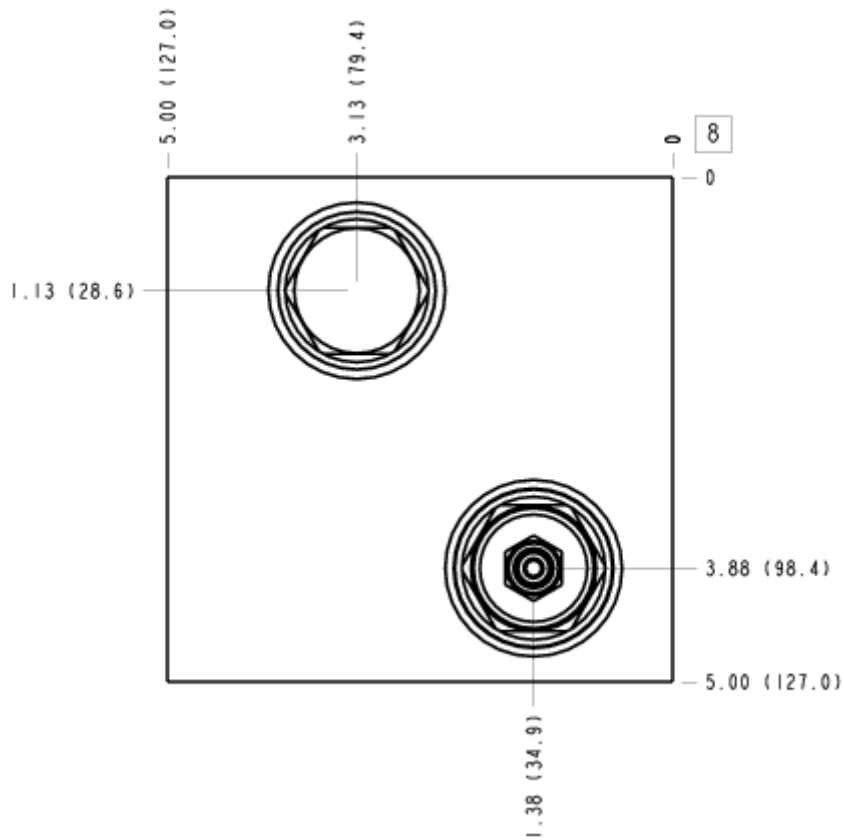
### FACE 6



### FACE 7



### FACE 8



FACE 10

