

TECHNICAL DATA NOTE: DATA MAY VARY BY CONFIGURATION. SEE CONFIGURATION SECTION.

	60 L/min.
	7,1 mm
	Through
	2

OPTION SELECTION EXAMPLE: YVDALANCK

(L)	(A)	(N)
L	A 100 - 3000 psi (7 - 210 bar), 1000 psi (70 bar)	N
C	B 50 - 1500 psi (3,5 - 105 bar), 1000 psi (70 bar)	V
	C 150 - 6000 psi (10,5 - 420 bar), 1000 psi (70 bar)	
	D 25 - 800 psi (1,7 - 55 bar), 400 psi (28 bar)	
	E 25 - 400 psi (1,7 - 28 bar), 200 psi (14 bar)	
	W 150 - 4500 psi (10,5 - 315 bar), 1000 psi (70 bar)	

PRIMARY CARTRIDGE

(C)

C	30 psi (2 bar) (with RVCA primary cartridge, , pilot-operated,)
A	4 psi (0,3 bar) (with RVCA primary cartridge, , pilot-operated,)
B	15 psi (1 bar) (with RVCA primary cartridge, , pilot-operated,)
D	50 psi (3,5 bar) (with RVCA primary cartridge, , pilot-operated,)
E	75 psi (5 bar) (with RVCA primary cartridge, , pilot-operated,)
F	100 psi (7 bar) (with RVCA primary cartridge, , pilot-operated,)
Z	1 psi (0,07 bar) (with RVCA primary cartridge, , pilot-operated,)

INCLUDED COMPONENTS

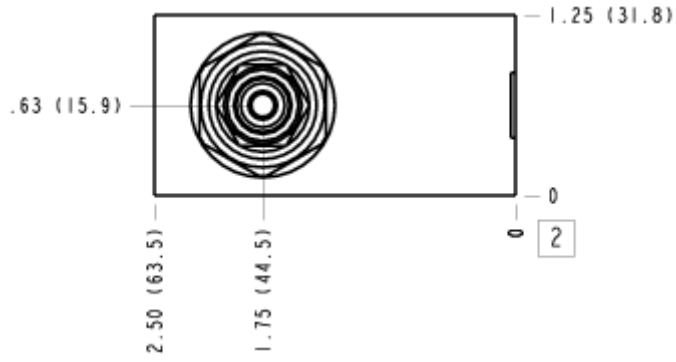
Part	Description	Quantity
CXDAXCN	Cartridge	1
RVCALAN	Cartridge - Primary	1

MANIFOLD FACES

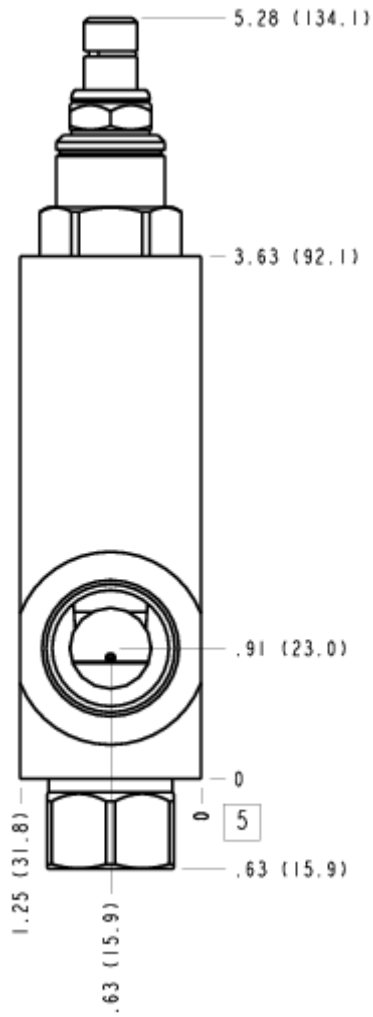
FACE GRID

1	2	3	4
5	6	7	8
9	10	11	12

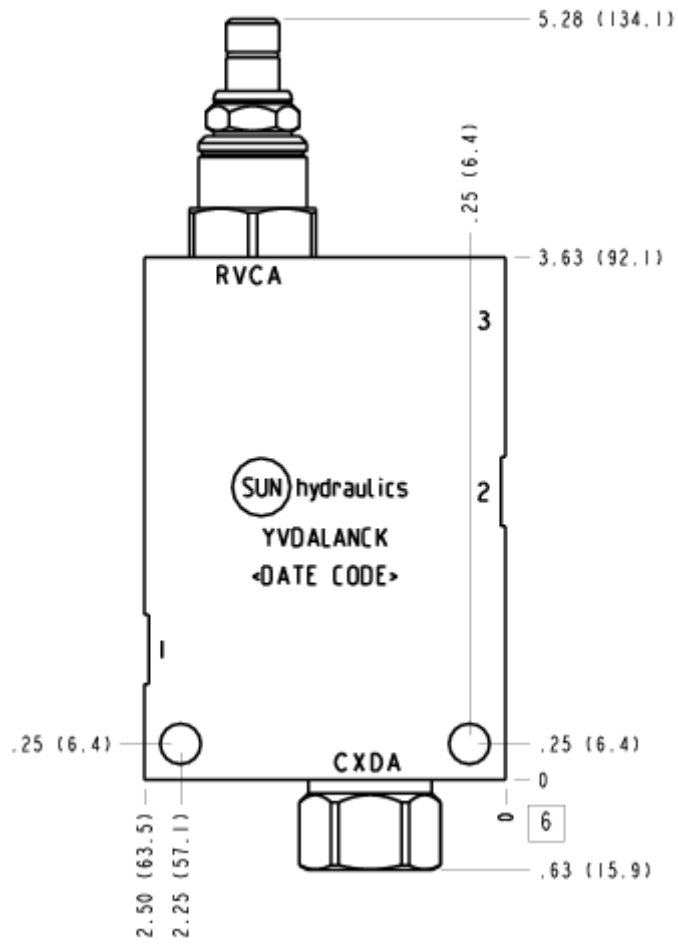
FACE 2



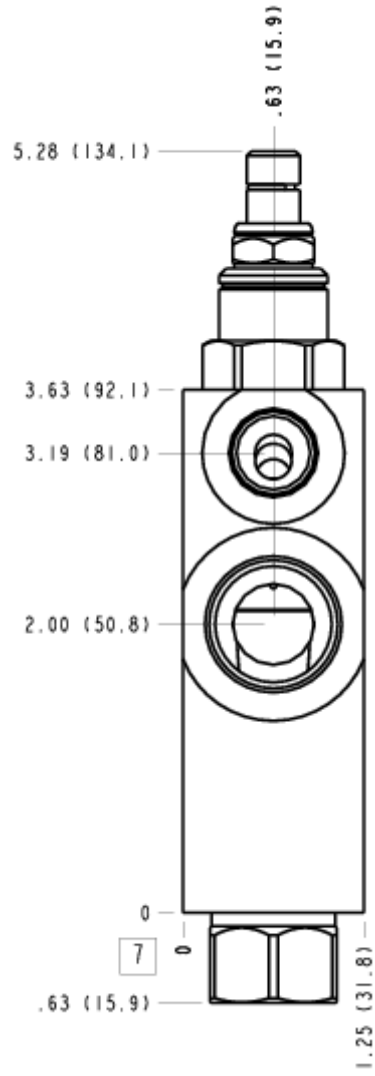
FACE 5



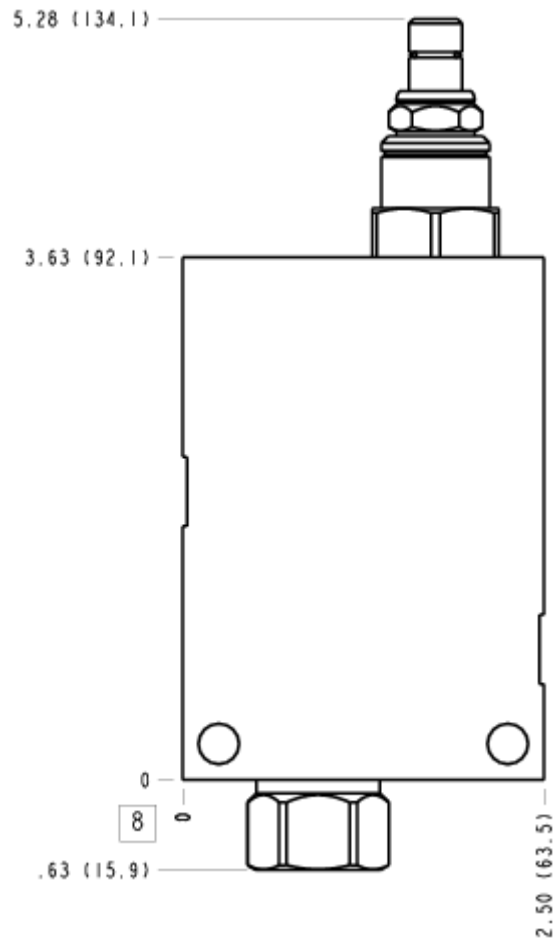
FACE 6



FACE 7



FACE 8



FACE 10

