

This assembly provides 2 functions. It relieves pressure from (port 1) to tank (port 2) when pressure at port 1 exceeds the setting of the valve. The external port 3 allows the valve to be vented by an external 2-way, 2-position valve allowing the valve to drop the pressure setting to a minimal level. The external valve could be either normally open meaning the pressure is at a low level until the valve is closed or normally closed meaning the pressure is at high level until the valve is open. The check valve allows reverse flow from port 2 to port 1.

TECHNICAL DATA NOTE: DATA MAY VARY BY CONFIGURATION. SEE CONFIGURATION SECTION.

Body Type	Line mount
Capacity	30 gpm

- NOTES:**
- **Important:** Carefully consider the maximum system pressure. The pressure rating of the manifold is dependent on the manifold material, with the port type/size a secondary consideration. Manifolds constructed of aluminum are not rated for pressures higher than 3000 psi (210 bar), regardless of the port type/size specified.
 - For detailed information regarding the cartridges contained in this assembly, click on the models codes shown in the Included Components tab.

OPTION SELECTION EXAMPLE: YVEBLANCL

CONTROL	(L) ADJUSTMENT RANGE	(A) SEAL MATERIAL	(N)
L Standard Screw Adjustment	A 100 - 3000 psi (7 - 210 bar), 1000 psi (70 bar) Standard Setting	N Buna-N	
C Tamper Resistant - Factory Set	B 50 - 1500 psi (3,5 - 105 bar), 1000 psi (70 bar) Standard Setting	V Viton	
K Handknob	C 150 - 6000 psi (10,5 - 420 bar), 1000 psi (70 bar) Standard Setting		
W Hex Wrench Adjustment	D 25 - 800 psi (1,7 - 55 bar), 400 psi (28 bar) Standard Setting		
Y Tri-Grip Handknob	E 25 - 400 psi (1,7 - 28 bar), 200 psi (14 bar) Standard Setting		
	N 60 - 800 psi (4 - 55 bar), 400 psi (28 bar) Standard Setting		
	Q 60 - 400 psi (4 - 28 bar), 200 psi (14 bar) Standard Setting		
	W 150 - 4500 psi (10,5 - 315 bar), 1000 psi (70 bar) Standard Setting		

PRIMARY CARTRIDGE (C)

C	30 psi (2 bar) (with RVEA primary cartridge, Ventable, pilot-operated, balanced piston relief valve)
A	4 psi (0,3 bar) (with RVEA primary cartridge, Ventable, pilot-operated, balanced piston relief valve)
B	15 psi (1 bar) (with RVEA primary cartridge, Ventable, pilot-operated, balanced piston relief valve)
D	50 psi (3,5 bar) (with RVEA primary cartridge, Ventable, pilot-operated, balanced piston relief valve)
E	75 psi (5 bar) (with RVEA primary cartridge, Ventable, pilot-operated, balanced piston relief valve)
F	100 psi (7 bar) (with RVEA primary cartridge, Ventable, pilot-operated, balanced piston relief valve)
Z	1 psi (0,07 bar) (with RVEA primary cartridge, Ventable, pilot-operated, balanced piston relief valve)

INCLUDED COMPONENTS

Part	Description	Quantity
CXFAXCN	Cartridge	1
RVEALAN	Cartridge - Primary	1

TECHNICAL FEATURES

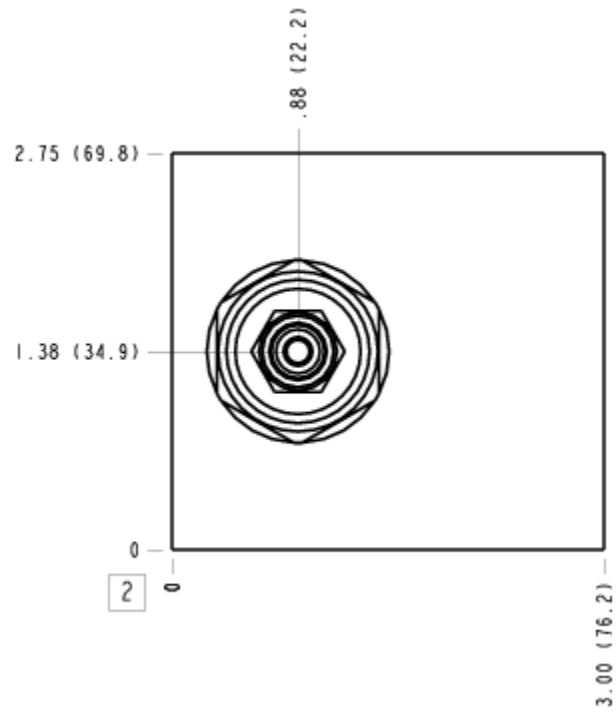
- Not suitable for use in load holding applications due to spool leakage.
- Back pressure on the tank port (port 2) is directly additive to the valve setting at a 1:1 ratio.

MANIFOLD FACES

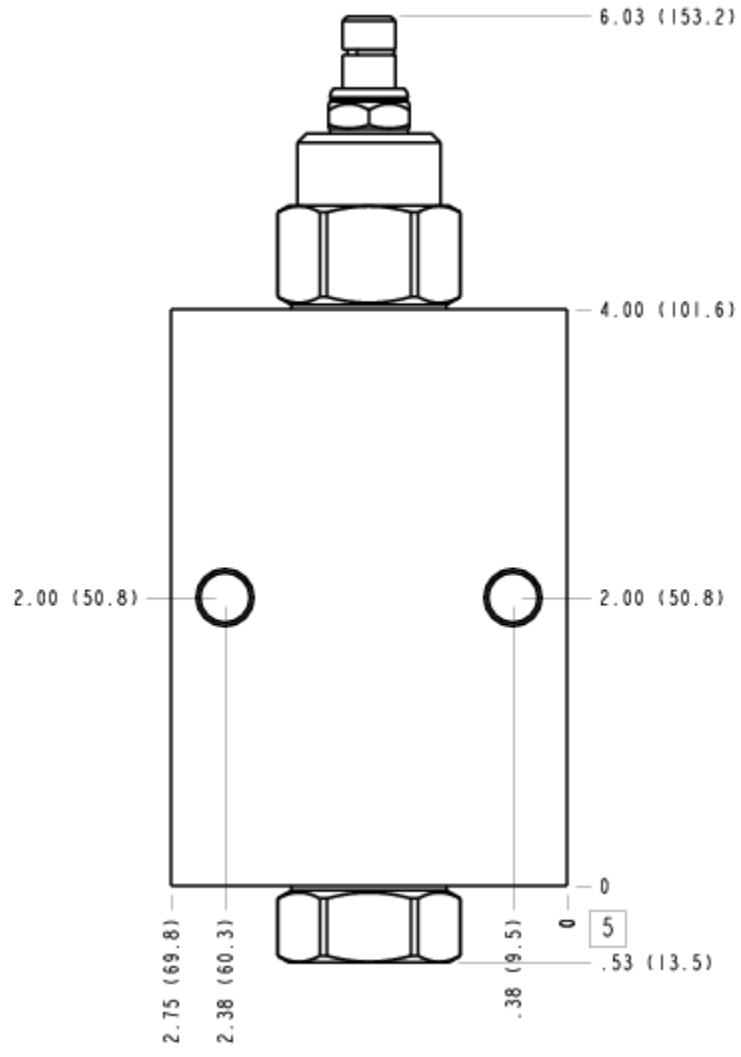
FACE GRID

1	2	3	4
5	6	7	8
9	10	11	12

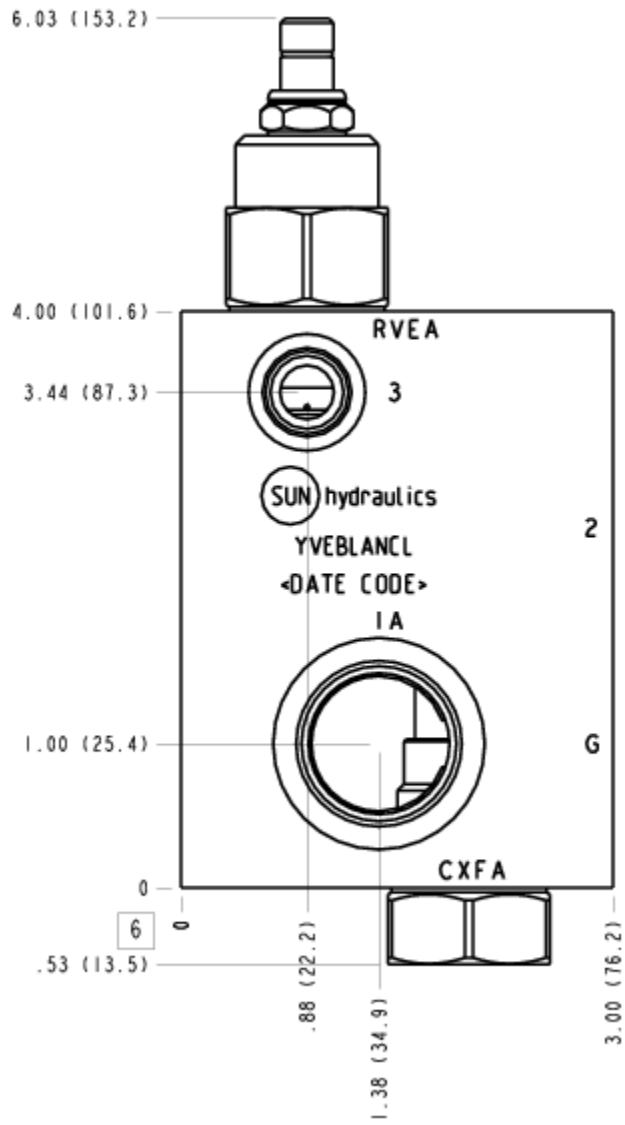
FACE 2



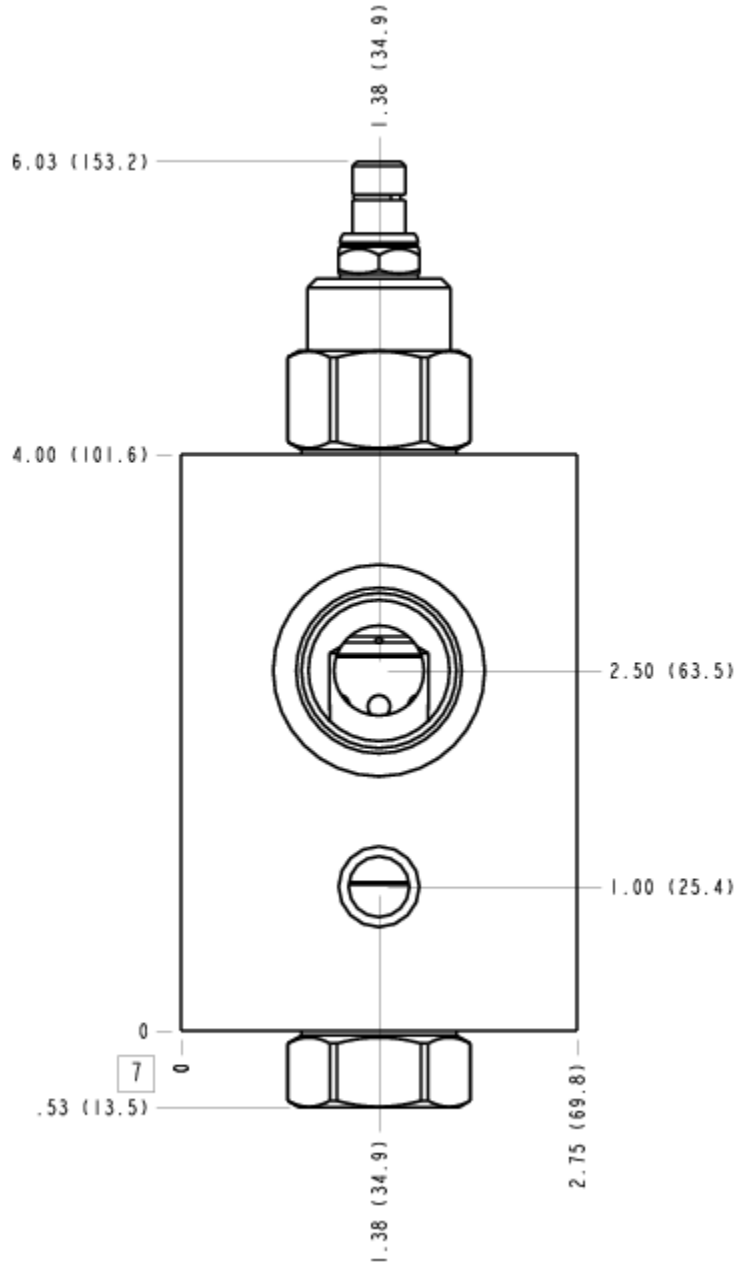
FACE 5



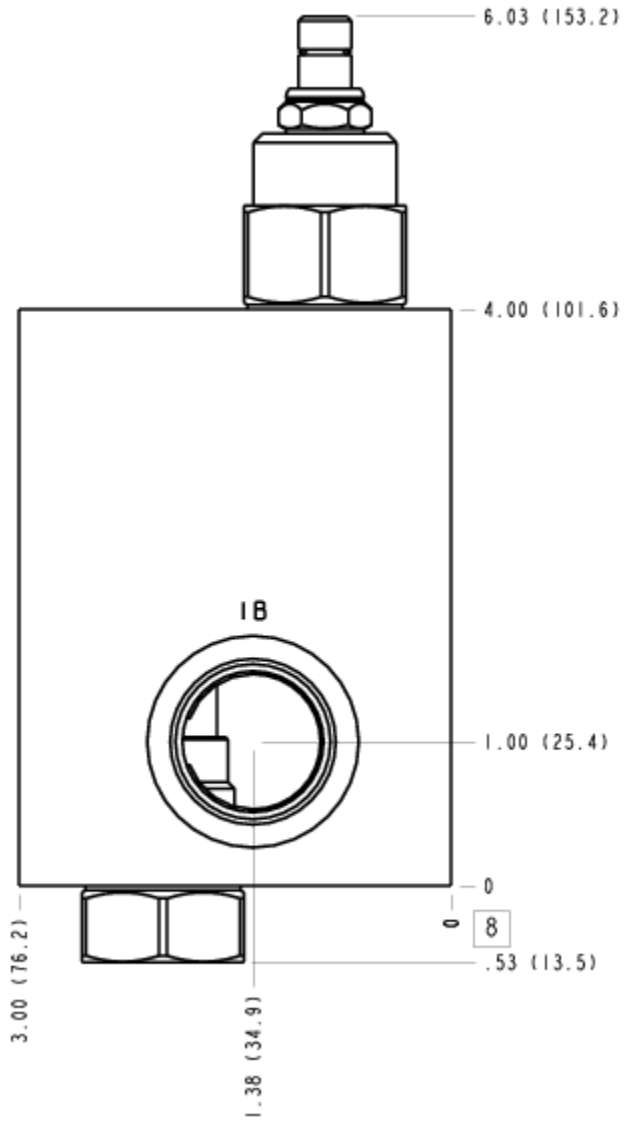
FACE 6



FACE 7



FACE 8



FACE 10

