

**TECHNICAL DATA**

Body Type	Line mount
Capacity	120 L/min.

### OPTION SELECTION EXAMPLE: YVEBLANCL

CONTROL	(L) ADJUSTMENT RANGE	(A) SEAL MATERIAL	(N)
<b>L</b> Standard Screw Adjustment	<b>A</b> 100 - 3000 psi (7 - 210 bar), 1000 psi (70 bar) Standard Setting	<b>N</b> Buna-N	
<b>C</b> Tamper Resistant - Factory Set	<b>B</b> 50 - 1500 psi (3,5 - 105 bar), 1000 psi (70 bar) Standard Setting	<b>V</b> Viton	
<b>W</b> Hex Wrench Adjustment	<b>C</b> 150 - 6000 psi (10,5 - 420 bar), 1000 psi (70 bar) Standard Setting		
<b>Y</b> manilla de tres agarres	<b>D</b> 25 - 800 psi (1,7 - 55 bar), 400 psi (28 bar) Standard Setting		
	<b>E</b> 25 - 400 psi (1,7 - 28 bar), 200 psi (14 bar) Standard Setting		
	<b>N</b> 60 - 800 psi (4 - 55 bar), 400 psi (28 bar) Standard Setting		
	<b>Q</b> 60 - 400 psi (4 - 28 bar), 200 psi (14 bar) Standard Setting		
	<b>W</b> 150 - 4500 psi (10,5 - 315 bar), 1000 psi (70 bar) Standard Setting		

#### PRIMARY CARTRIDGE

(C)

<b>C</b>	30 psi (2 bar) (with RVEA primary cartridge, De venteo, pilot-operated, pistón balanceado alivio válvula )
<b>A</b>	4 psi (0,3 bar) (with RVEA primary cartridge, De venteo, pilot-operated, pistón balanceado alivio válvula )
<b>B</b>	15 psi (1 bar) (with RVEA primary cartridge, De venteo, pilot-operated, pistón balanceado alivio válvula )
<b>D</b>	50 psi (3,5 bar) (with RVEA primary cartridge, De venteo, pilot-operated, pistón balanceado alivio válvula )
<b>E</b>	75 psi (5 bar) (with RVEA primary cartridge, De venteo, pilot-operated, pistón balanceado alivio válvula )
<b>F</b>	100 psi (7 bar) (with RVEA primary cartridge, De venteo, pilot-operated, pistón balanceado alivio válvula )
<b>Z</b>	1 psi (0,07 bar) (with RVEA primary cartridge, De venteo, pilot-operated, pistón balanceado alivio válvula )

#### INCLUDED COMPONENTS

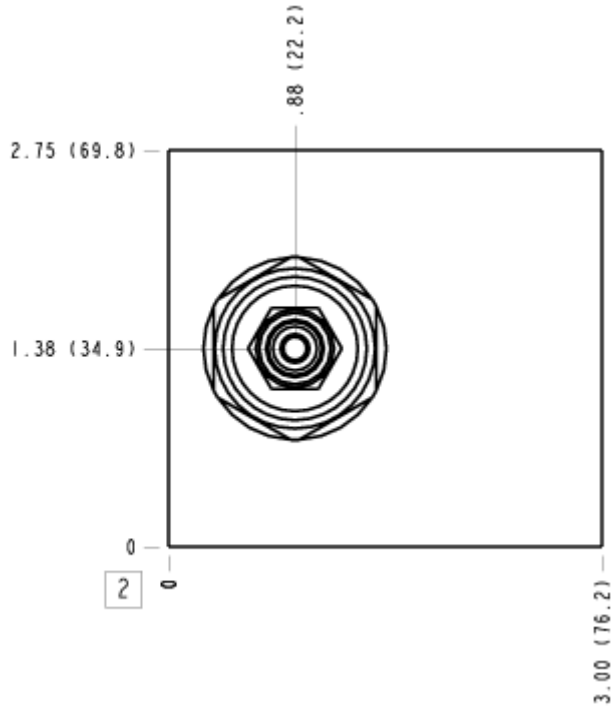
Part	Description	Quantity
CXFAXCN	Cartridge	1
RVEALAN	Cartridge - Primary	1

#### MANIFOLD FACES

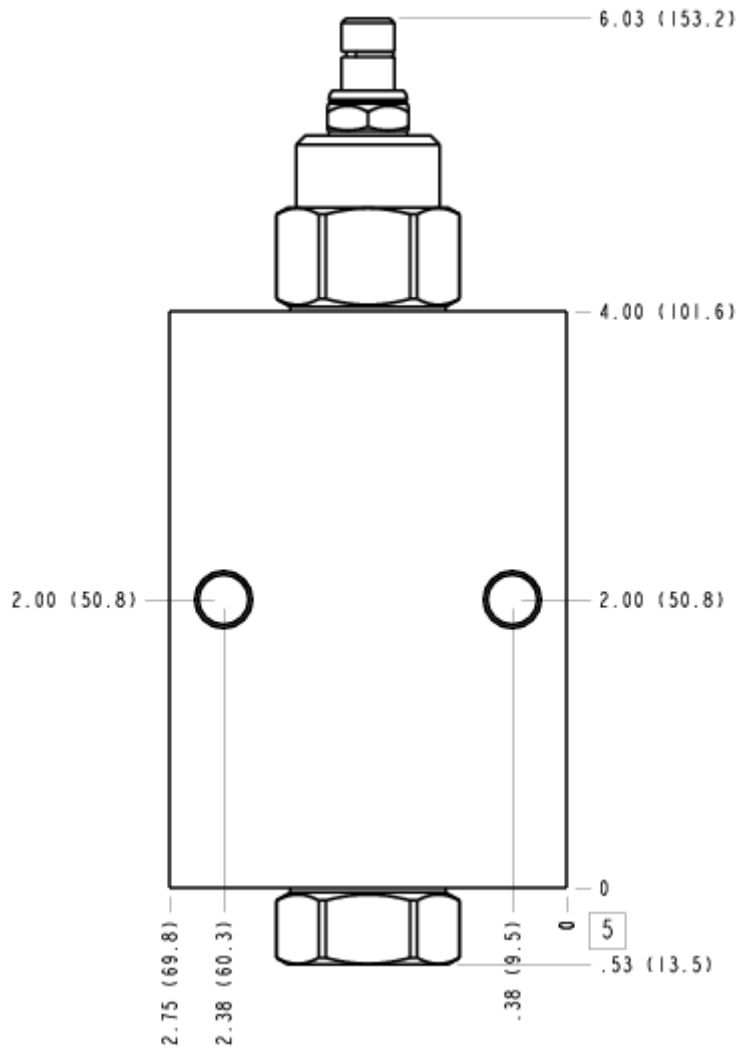
##### FACE GRID

1	2	3	4
5	6	7	8
9	10	11	12

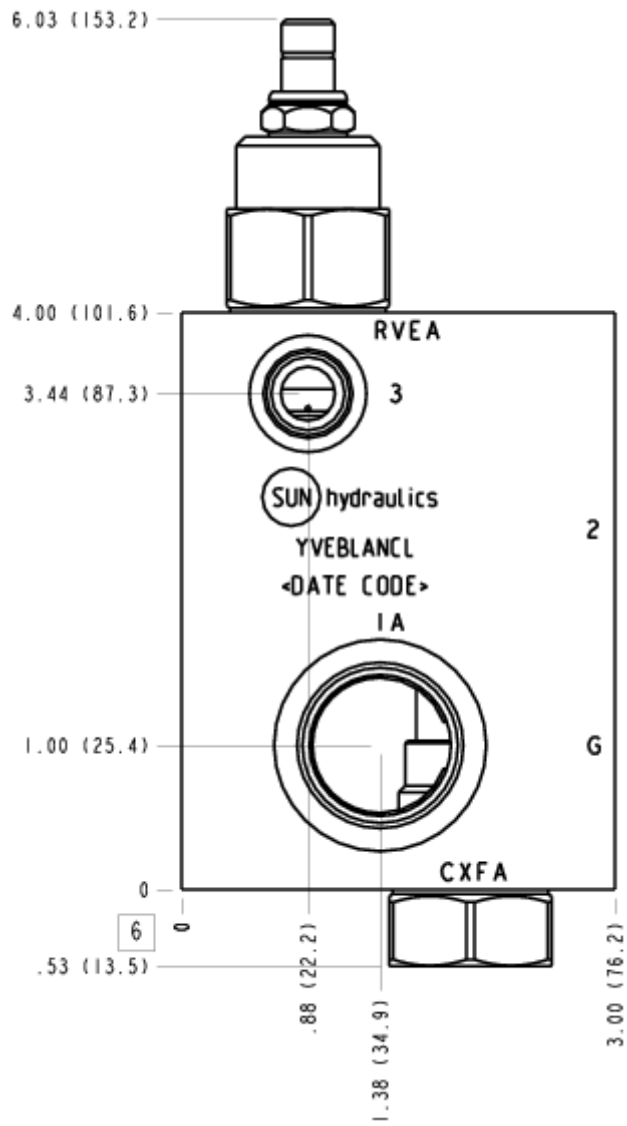
### FACE 2



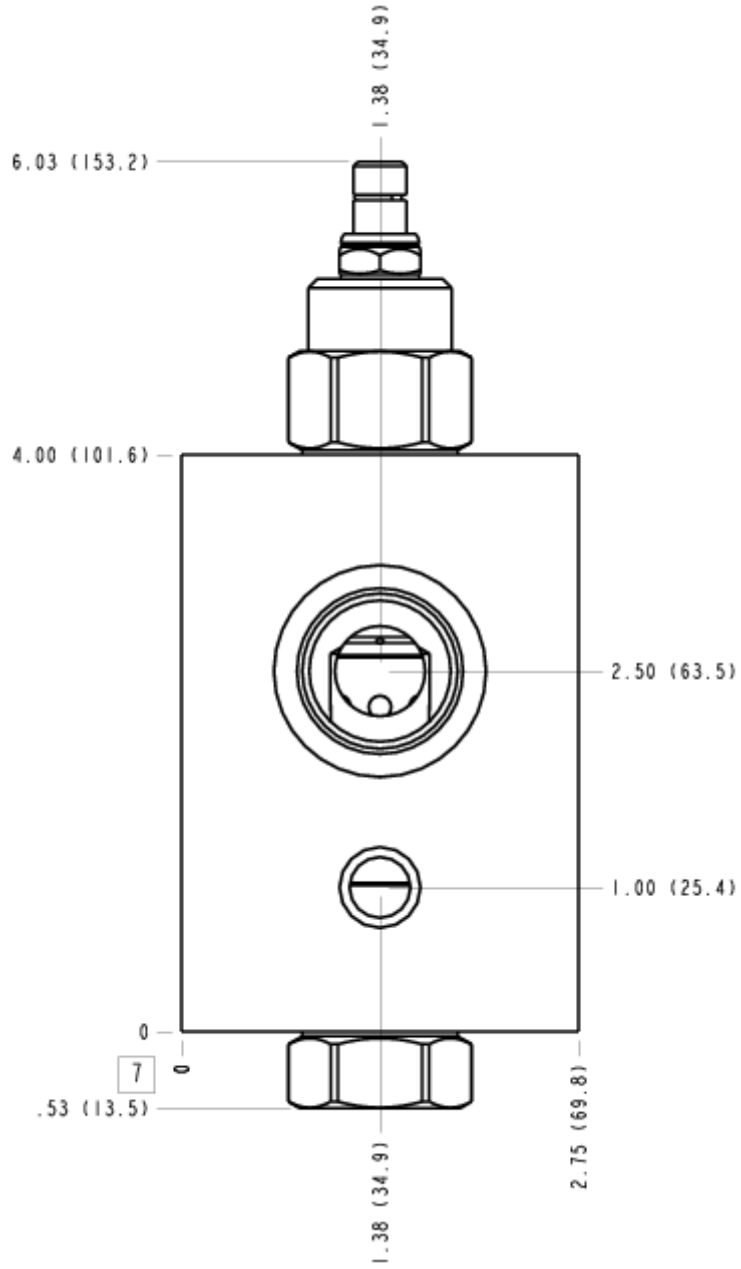
### FACE 5



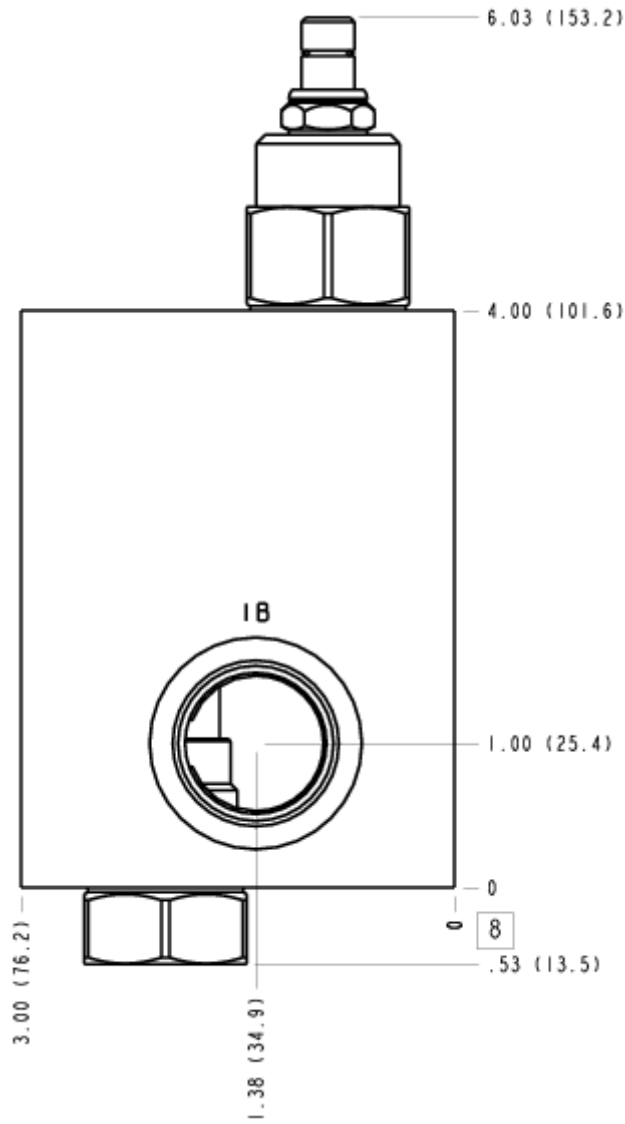
FACE 6



# FACE 7



### FACE 8



### FACE 10

