

TECHNICAL DATA NOTE: DATA MAY VARY BY CONFIGURATION. SEE CONFIGURATION SECTION.

| | |
|--|------------|
| | |
| | 120 L/min. |

OPTION SELECTION EXAMPLE: YVEBLANCL

(L) (A) (N)

| | | | |
|----------|----------|---|----------|
| L | A | 100 - 3000 psi (7 - 210 bar), 1000 psi (70 bar) | N |
| O | | | V |
| W | Q | 60 - 400 psi (4 - 28 bar), 200 psi (14 bar) | |

PRIMARY CARTRIDGE (C)

| | |
|----------|--|
| C | 30 psi (2 bar) (with RVEA primary cartridge, , ,) |
| A | 4 psi (0,3 bar) (with RVEA primary cartridge, , ,) |
| B | 15 psi (1 bar) (with RVEA primary cartridge, , ,) |
| D | 50 psi (3,5 bar) (with RVEA primary cartridge, , ,) |
| E | 75 psi (5 bar) (with RVEA primary cartridge, , ,) |
| F | 100 psi (7 bar) (with RVEA primary cartridge, , ,) |
| Z | 1 psi (0,07 bar) (with RVEA primary cartridge, , ,) |

INCLUDED COMPONENTS

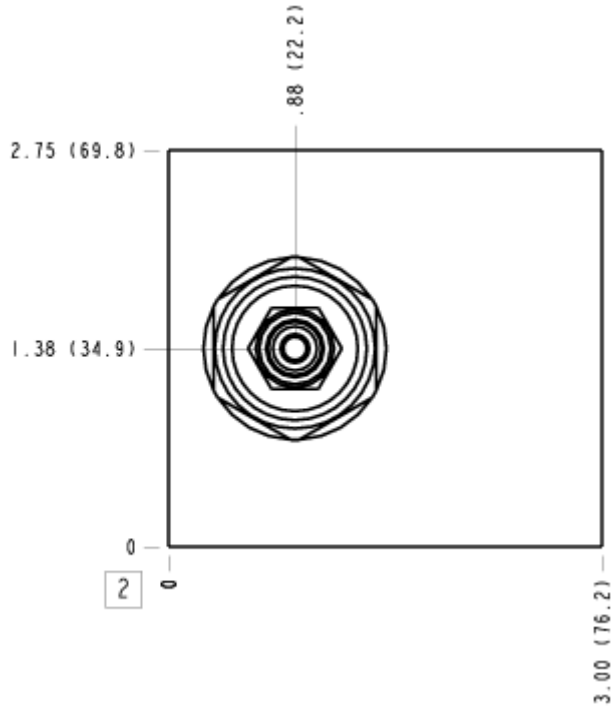
| Part | Description | Quantity |
|---------|---------------------|----------|
| CXFAXCN | Cartridge | 1 |
| RVEALAN | Cartridge - Primary | 1 |

MANIFOLD FACES

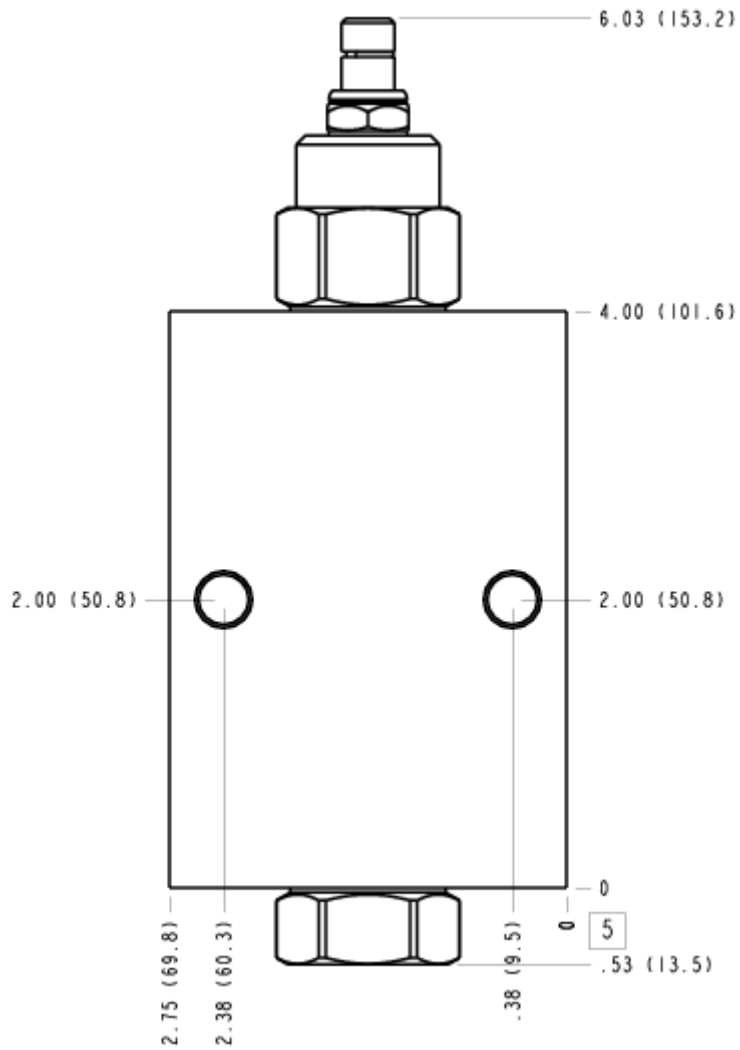
FACE GRID

| | | | |
|---|----|----|----|
| 1 | 2 | 3 | 4 |
| 5 | 6 | 7 | 8 |
| 9 | 10 | 11 | 12 |

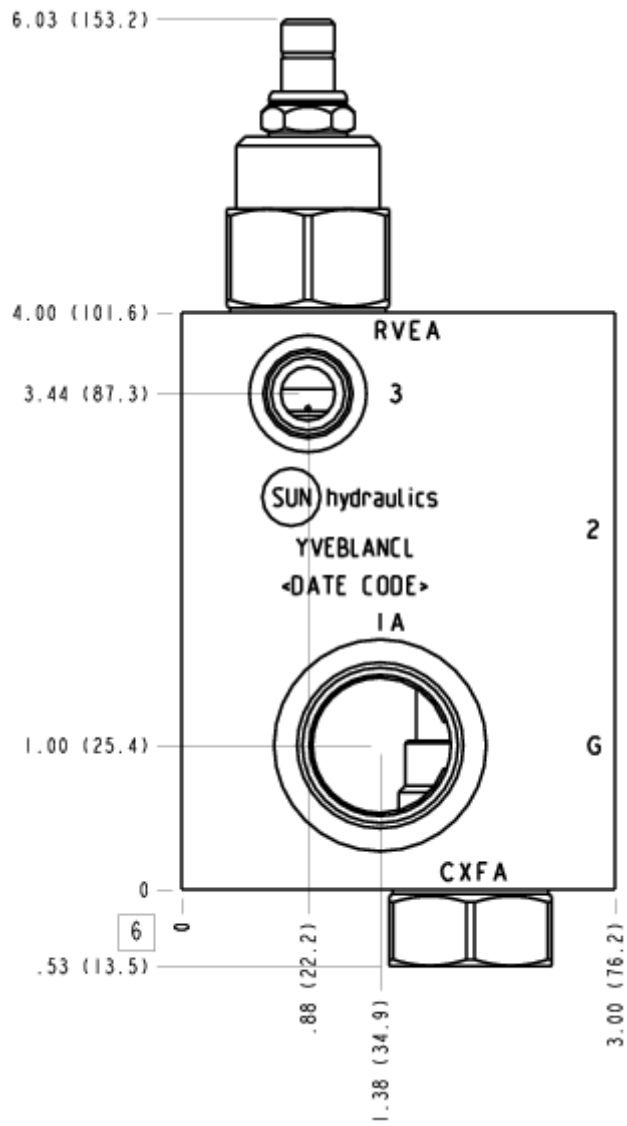
FACE 2



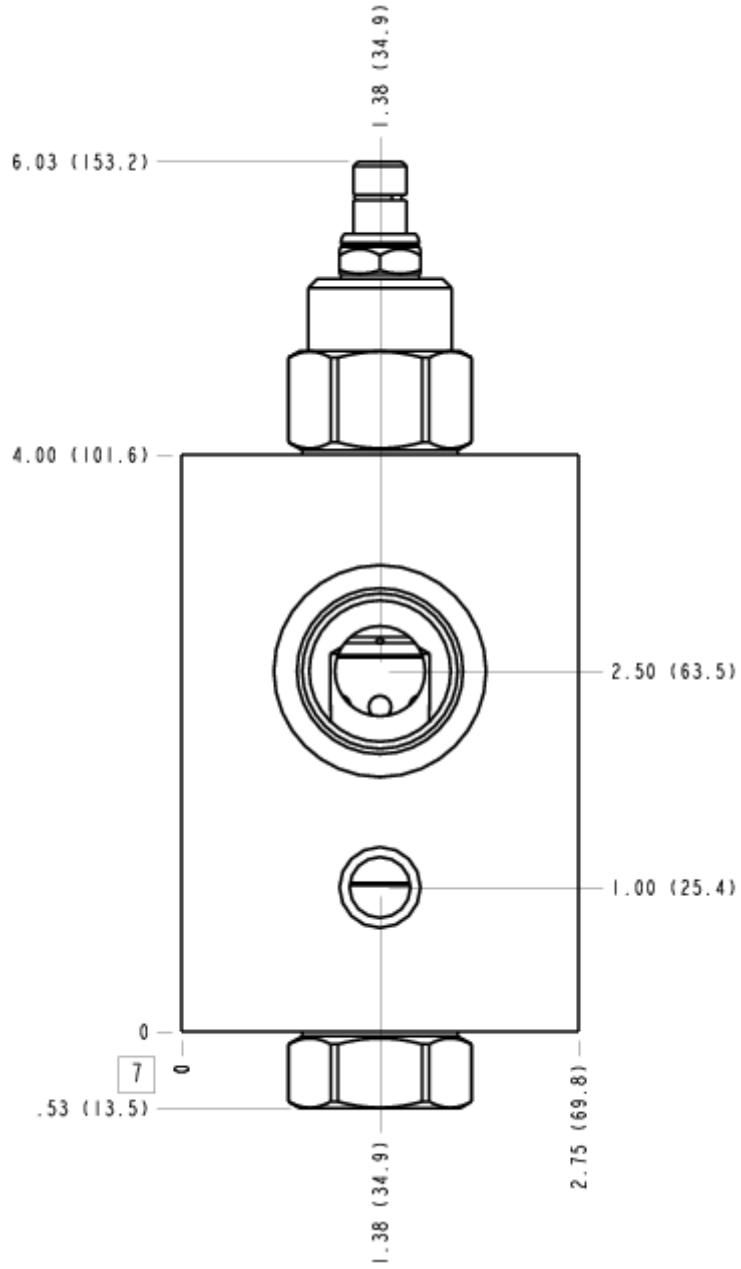
FACE 5



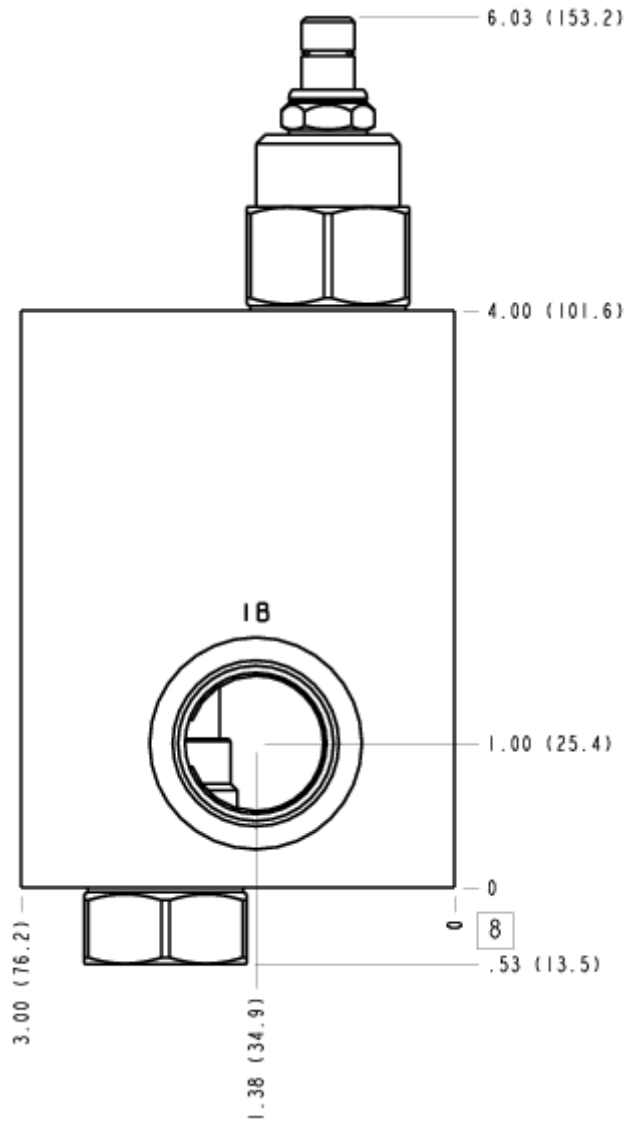
FACE 6



FACE 7



FACE 8



FACE 10

