

This assembly consists of a 30 PSI check and a pilot-operated, balanced-piston relief cartridge which is a normally closed pressure regulating valve. When the pressure at the inlet (P port) reaches the valve setting, the valve starts to open to tank (T port), throttling flow to regulate the pressure. These valves are accurate, have low pressure rise vs. flow, they are smooth and quiet, and are moderately fast.

**TECHNICAL DATA** NOTE: DATA MAY VARY BY CONFIGURATION. SEE CONFIGURATION SECTION.

Body Type	Line mount
Capacity	30 gpm
Mounting Hole Diameter	.28 in.
Mounting Hole Depth	Through
Mounting Hole Quantity	2

- NOTES:**
- **Important:** Carefully consider the maximum system pressure. The pressure rating of the manifold is dependent on the manifold material, with the port type/size a secondary consideration. Manifolds constructed of aluminum are not rated for pressures higher than 3000 psi (210 bar), regardless of the port type/size specified.
  - For detailed information regarding the cartridges contained in this assembly, click on the models codes shown in the Included Components tab.

**OPTION SELECTION EXAMPLE: YVELLANCK**

CONTROL	(L) ADJUSTMENT RANGE	(A) SEAL MATERIAL	(N)
<b>L</b> Standard Screw Adjustment	<b>A</b> 100 - 3000 psi (7 - 210 bar), 1000 psi (70 bar) Standard Setting	<b>N</b> Buna-N	
<b>C</b> Tamper Resistant - Factory Set	<b>B</b> 50 - 1500 psi (3,5 - 105 bar), 1000 psi (70 bar) Standard Setting	<b>V</b> Viton	
<b>W</b> Hex Wrench Adjustment	<b>C</b> 150 - 6000 psi (10,5 - 420 bar), 1000 psi (70 bar) Standard Setting		
<b>Y</b> Tri-Grip Handknob	<b>D</b> 25 - 800 psi (1,7 - 55 bar), 400 psi (28 bar) Standard Setting		
	<b>E</b> 25 - 400 psi (1,7 - 28 bar), 200 psi (14 bar) Standard Setting		
	<b>N</b> 60 - 800 psi (4 - 55 bar), 400 psi (28 bar) Standard Setting		
	<b>Q</b> 60 - 400 psi (4 - 28 bar), 200 psi (14 bar) Standard Setting		
	<b>W</b> 150 - 4500 psi (10,5 - 315 bar), 1000 psi (70 bar) Standard Setting		

**PRIMARY CARTRIDGE (C)**

<b>C</b> 30 psi (2 bar) (with RVEA primary cartridge, Ventable, pilot-operated, balanced piston relief valve)
<b>A</b> 4 psi (0,3 bar) (with RVEA primary cartridge, Ventable, pilot-operated, balanced piston relief valve)
<b>B</b> 15 psi (1 bar) (with RVEA primary cartridge, Ventable, pilot-operated, balanced piston relief valve)
<b>D</b> 50 psi (3,5 bar) (with RVEA primary cartridge, Ventable, pilot-operated, balanced piston relief valve)
<b>E</b> 75 psi (5 bar) (with RVEA primary cartridge, Ventable, pilot-operated, balanced piston relief valve)
<b>F</b> 100 psi (7 bar) (with RVEA primary cartridge, Ventable, pilot-operated, balanced piston relief valve)
<b>Z</b> 1 psi (0,07 bar) (with RVEA primary cartridge, Ventable, pilot-operated, balanced piston relief valve)

**INCLUDED COMPONENTS**

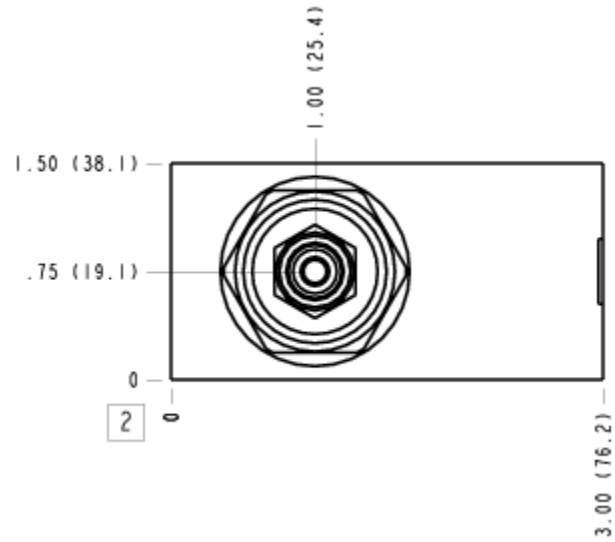
Part	Description	Quantity
CXFAXCN	Cartridge	1
RVEALAN	Cartridge - Primary	1

# MANIFOLD FACES

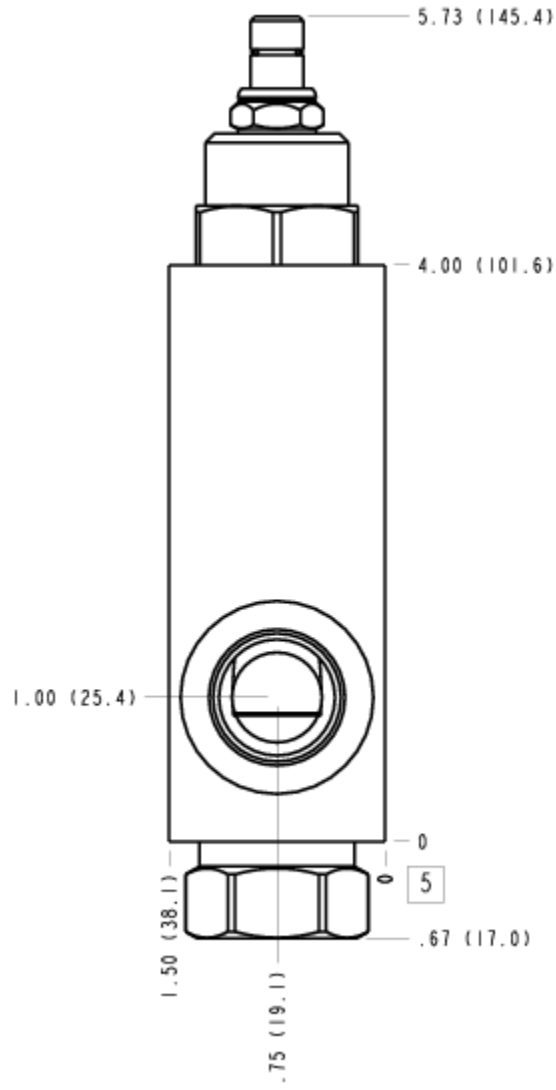
## FACE GRID

1	2	3	4
5	6	7	8
9	10	11	12

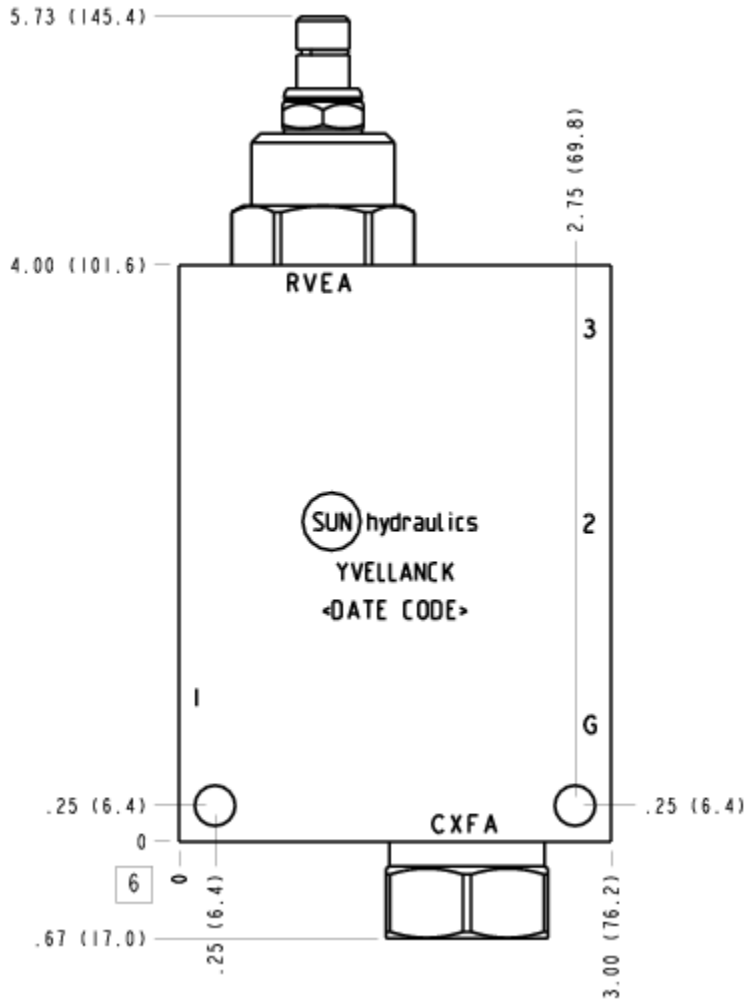
## FACE 2



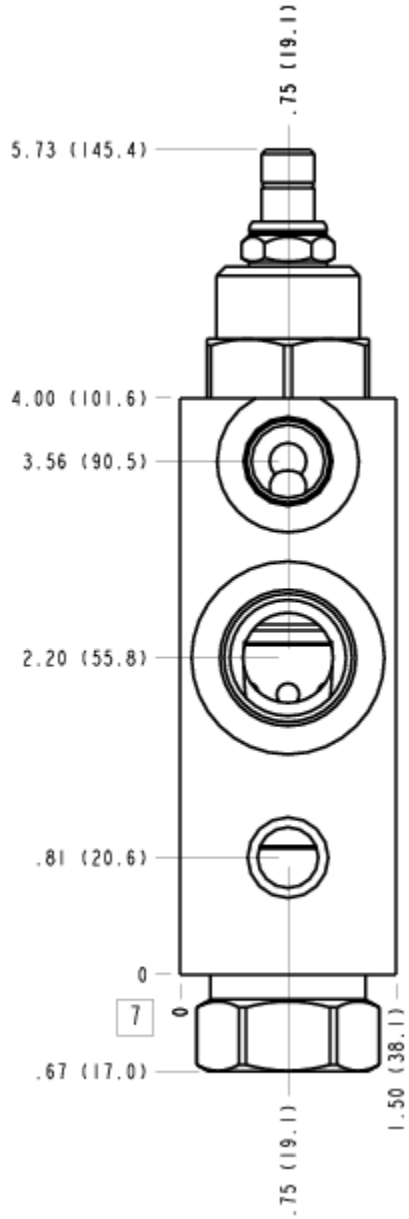
FACE 5



FACE 6



# FACE 7



FACE 10

