

TECHNICAL DATA

Body Type	Line mount
Capacity	120 L/min.
Mounting Hole Diameter	7,1 mm
Mounting Hole Depth	Through
Mounting Hole Quantity	2

OPTION SELECTION EXAMPLE: YVELLANCK

CONTROL	(L) ADJUSTMENT RANGE	(A) SEAL MATERIAL	(N)
L Standard Screw Adjustment	A 100 - 3000 psi (7 - 210 bar), 1000 psi (70 bar) Standard Setting	N Buna-N	
C Tamper Resistant - Factory Set	B 50 - 1500 psi (3,5 - 105 bar), 1000 psi (70 bar) Standard Setting	V Viton	
W Hex Wrench Adjustment	C 150 - 6000 psi (10,5 - 420 bar), 1000 psi (70 bar) Standard Setting		
Y manilla de tres agarres	D 25 - 800 psi (1,7 - 55 bar), 400 psi (28 bar) Standard Setting		
	E 25 - 400 psi (1,7 - 28 bar), 200 psi (14 bar) Standard Setting		
	N 60 - 800 psi (4 - 55 bar), 400 psi (28 bar) Standard Setting		
	Q 60 - 400 psi (4 - 28 bar), 200 psi (14 bar) Standard Setting		
	W 150 - 4500 psi (10,5 - 315 bar), 1000 psi (70 bar) Standard Setting		

PRIMARY CARTRIDGE

(C)

C	30 psi (2 bar) (with RVEA primary cartridge, De venteo, pilot-operated, pistón balanceado alivio válvula)
A	4 psi (0,3 bar) (with RVEA primary cartridge, De venteo, pilot-operated, pistón balanceado alivio válvula)
B	15 psi (1 bar) (with RVEA primary cartridge, De venteo, pilot-operated, pistón balanceado alivio válvula)
D	50 psi (3,5 bar) (with RVEA primary cartridge, De venteo, pilot-operated, pistón balanceado alivio válvula)
E	75 psi (5 bar) (with RVEA primary cartridge, De venteo, pilot-operated, pistón balanceado alivio válvula)
F	100 psi (7 bar) (with RVEA primary cartridge, De venteo, pilot-operated, pistón balanceado alivio válvula)
Z	1 psi (0,07 bar) (with RVEA primary cartridge, De venteo, pilot-operated, pistón balanceado alivio válvula)

INCLUDED COMPONENTS

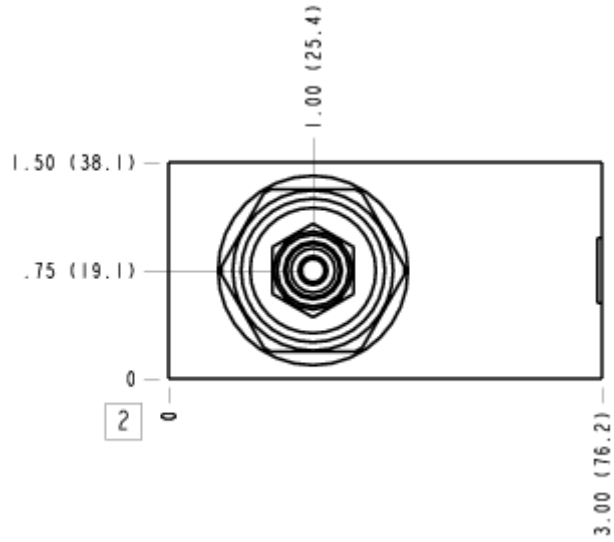
Part	Description	Quantity
CXFAXCN	Cartridge	1
RVEALAN	Cartridge - Primary	1

MANIFOLD FACES

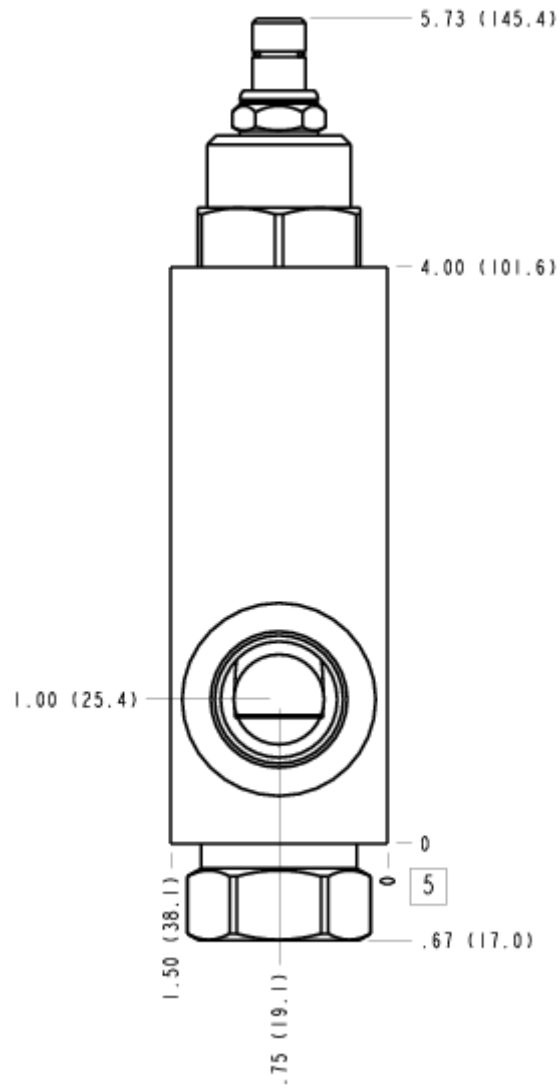
FACE GRID

1	2	3	4
5	6	7	8
9	10	11	12

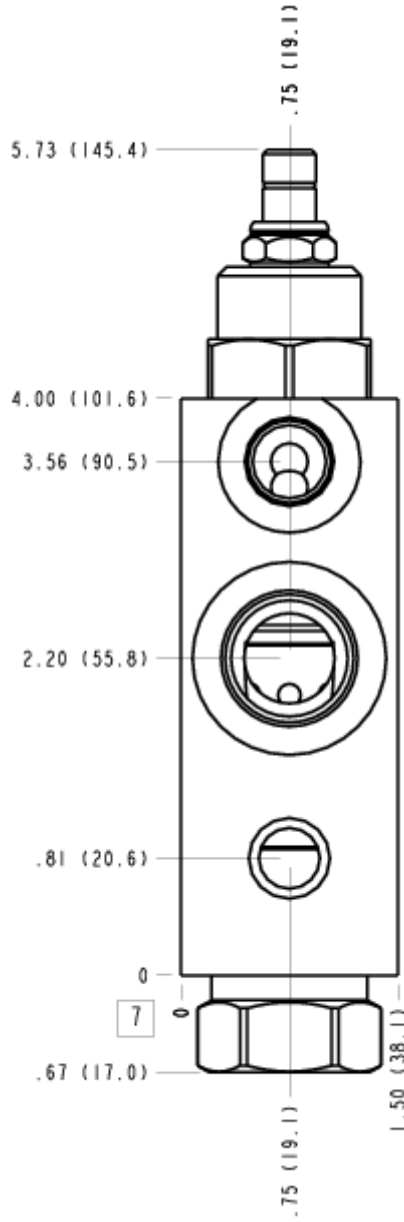
FACE 2



FACE 5



FACE 7



FACE 10

